

LWBE-175 Series

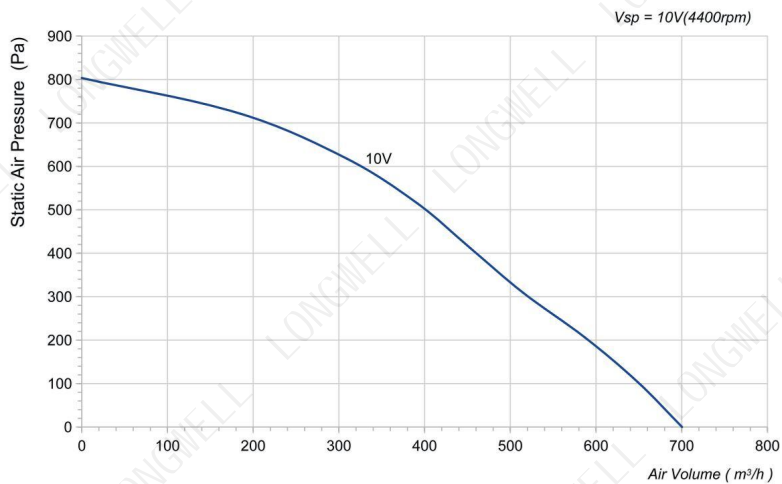
Product Characteristic

- Impeller Material: PA6+GF
- Supply Voltage: 230V,50/60Hz
- Mode Of Operation: S1
- Protection Class: IP55
- Insulation Class: F
- Operation Temperature: -25°C ~ +60°C
- Technical Feature: Control input 0-10VDC/PWM, Tech output, Locked-Rotor protection, Reverse Polarity Over-voltage protection, Soft Start Protection.

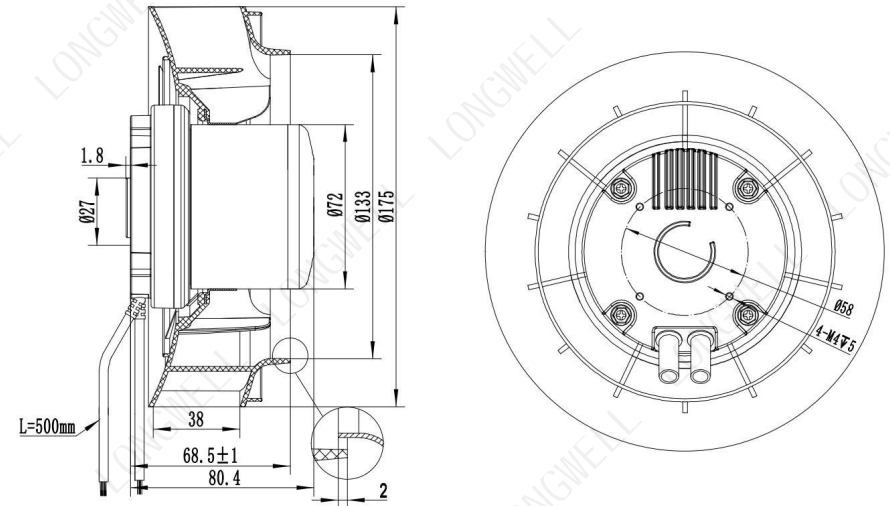


Technical Specifications

| Model | Voltage (V) | Input Power (W) | Current (A) | Air Volume (m³/h) | Static Pressure (Pa) | Speed (RPM) | Noise [dB(A)] |
|--------------------|-------------|-----------------|-------------|-------------------|----------------------|-------------|---------------|
| LWBE3G175-072PS-03 | 230 | 115 | 0.9 | 700 | 803 | 4400 | 74 |



LWBE3G175-072NS-08 (without bracket)



LWBE3G175-072PS-03 (with bracket)

