

LWAE-250 Series

Product Characteristic

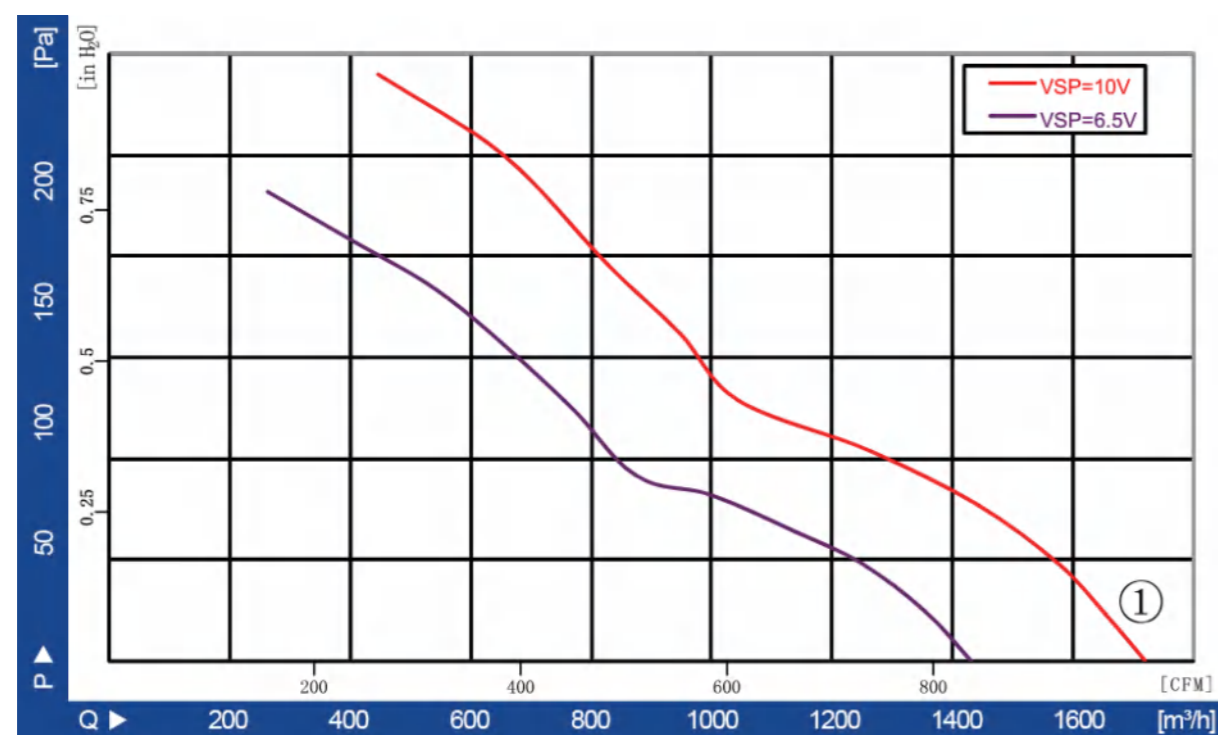
- Material: Sheet steel
- Type of protection: IP54
- Insulation class: B
- Approvals: CCC CE
- Motor type: BLEC motor
- Perm. amb.temp.: -25 C ~ +60 C
- Technicial Feature: Control input 0-10VDC/PWM, Tech output, Locked-Rotor protection, Reverse Polarity Over-voltage protection Soft Start Protection.



Technical Specifications

Model	Voltage	Frequency	Current	Power	Speed	Air Volume	Static Pressure	Noise	Curve
	V	Hz	A	W	RPM	m³/h	Pa	dB(A)	
LWAE3G250SS-7MNW-01	220	50/60	0.9	135	3150	1700	280	69	①
LWAE3G250ST-7MNW-02	220	50/60	0.9	135	3150	1700	280	69	
LWAE3G250SS-7MEW-03	220	50/60	0.9	135	3150	1700	280	69	
LWAE3G250ST-7MEW-04	220	50/60	0.9	135	3150	1700	280	69	
LWAE3G250SS-7MGW-05	220	50/60	0.9	135	3150	1700	280	69	
LWAE3G250ST-7MGW-06	220	50/60	0.9	135	3150	1700	280	69	

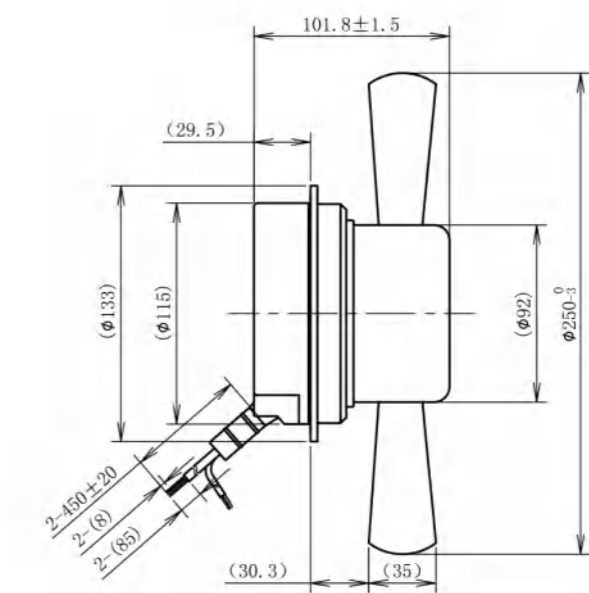
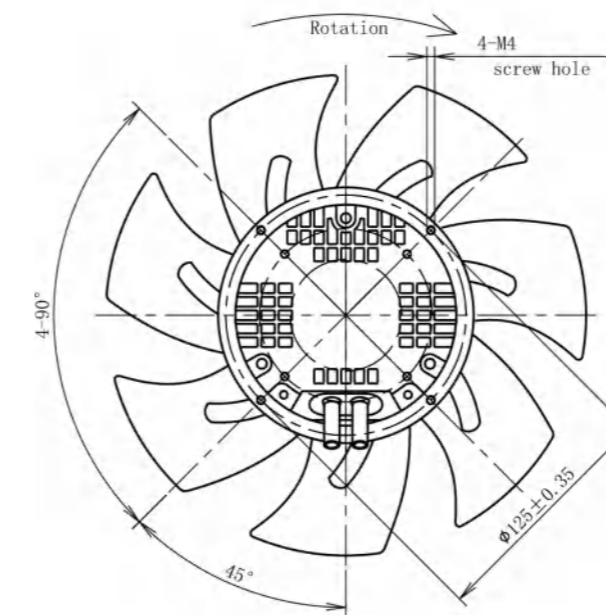
Flow Rate Curve



Product Drawing

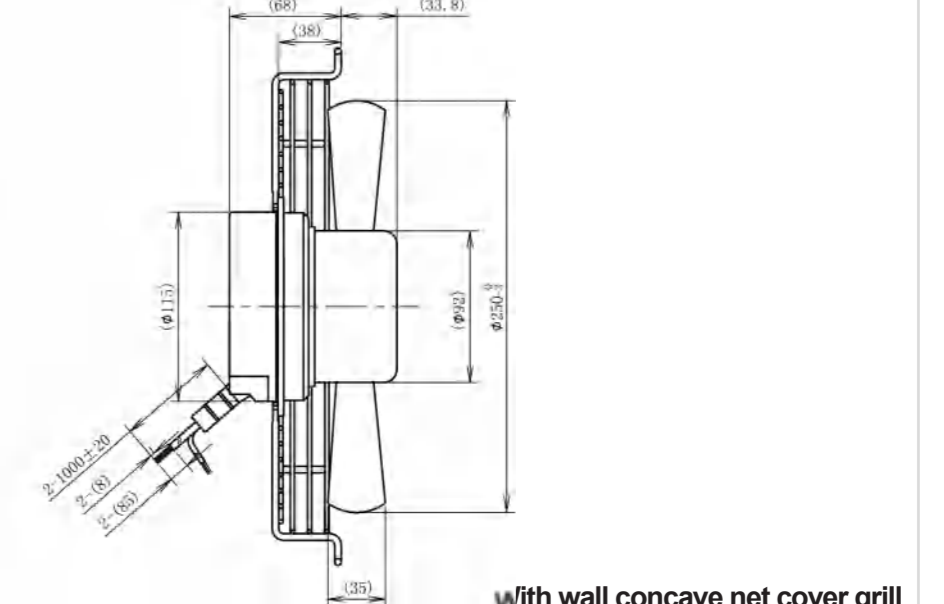
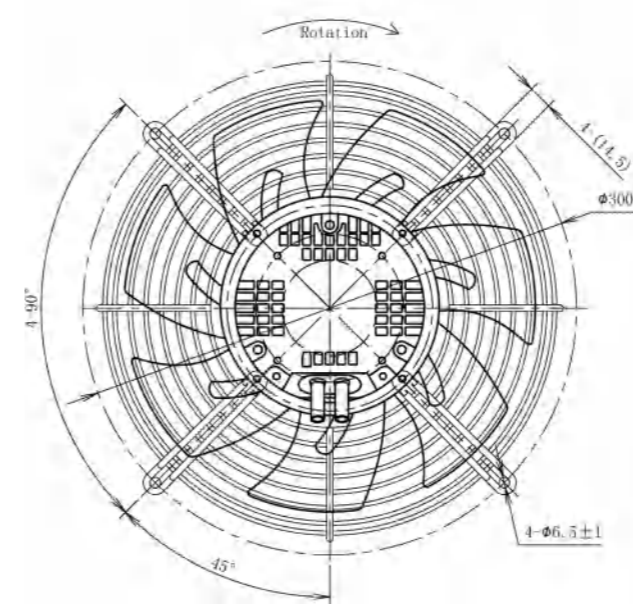
LWAE3G250SS-7MNW-01(Suction)

LWAE3G250ST-7MNW-02(Blowing)



LWAE3G250SS-7MEW-03(Suction)

LWAE3G250ST-7MEW-04(Blowing)



LWAE3G250SS-7MGW-05(Suction)

LWAE3G250ST-7MGW-06(Blowing)

