

# LWAA-250 Series

## Product Characteristic

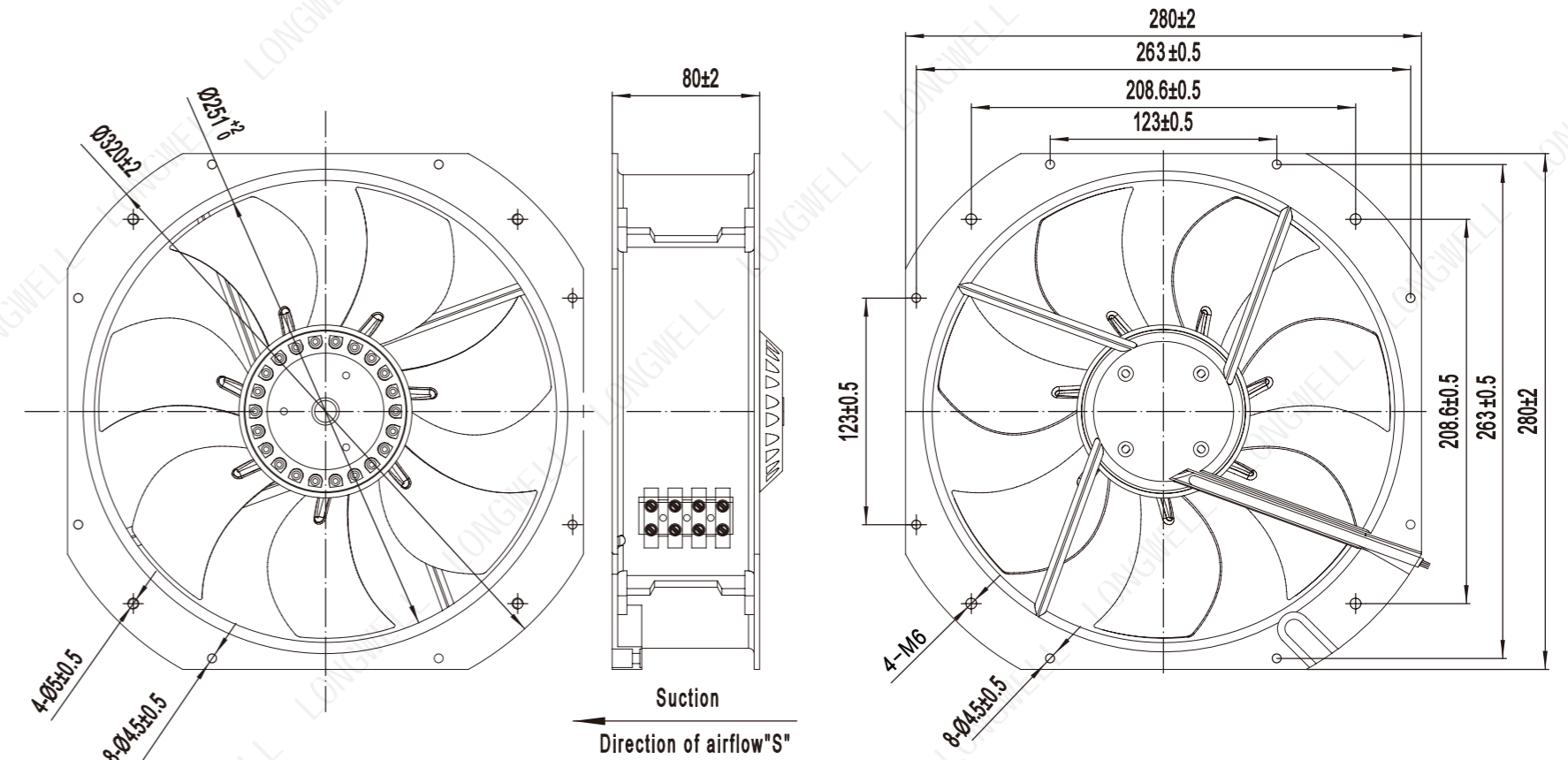
- Blades : Cold rolled steel
- Number of blades: 5/7
- Mode of operation: S1
- Type of protection: IP44
- Insulation class: F
- Operation Temperature: -30~+60 C



## Technical Specifications

Model	Voltage (V)	Frequency (Hz)	Current (A)	Power (W)	Speed (RPM)	Air Volume (m³/h)	Capacitor (uF)	Noise [dB(A)]	Curve
LWAA2E250S-5MKW-09	220/230	50	0.42	90	2600	1648	3	66	①
LWAA2E250S-5MKW-10	220/230	60	0.55	115	2900	1854	3	67	②
LWAA2D250S-5MKW-11	380/400	50	0.2	100	2500	1648	/	66	①
LWAA2D250S-5MKW-12	380/400	60	0.22	130	2600	1854	/	67	②
LWAA4E250S-7MKW-13	220/230	50	0.25	50	1400	979	2	53	③
LWAA4E250S-7MKW-14	220/230	60	0.3	55	1620	1133	2	54	④
LWAA2E250S-7MEB-15	220/230	50	0.6	130	2700	2060	4	67	⑤
LWAA2E250S-7MEB-16	220/230	60	0.7	170	2900	2318	4	69	⑥

## Product Drawing (mm)



## Flow Rate Curve

