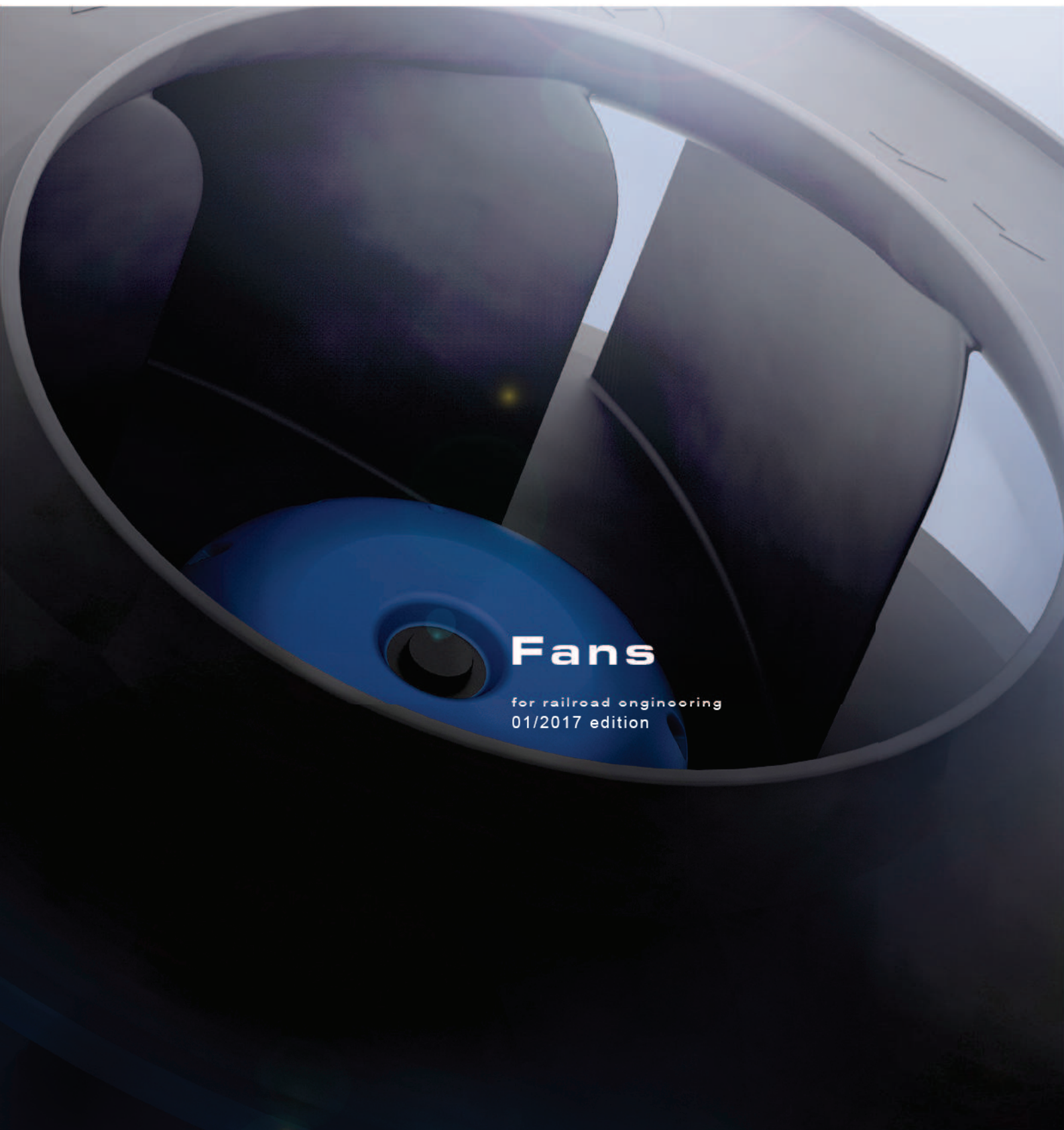


Movement by Perfection



Fans

for railroad engineering
01/2017 edition

The Royal League in ventilation, control and drive technology

Using air intelligently

Air is always there but is hardly perceived consciously. Directing air in a specific form of movement is the competence of ZIEHL-ABEGG. As the world's leading provider of fans with adapted control technology, ZIEHL-ABEGG relies on the efficiency and reliability of the products. With the trailblazing solutions from ZIEHL-ABEGG, customers use air and energy optimally for their individual requirements.

FANselect The fan selection program

With the first fully comprehensive certified fan selection program FANselect the customer can find the optimum fans and system components for his needs conveniently, precisely and quickly. The specified values conform to reality. They are determined in the ZIEHL-ABEGG InVent technology centre which houses the world's biggest combined air and noise test benches of the ventilation system branch. More information on www.fanselect.info










Other catalogues

In the ZIEHL-ABEGG catalogues, the reader can find out all about ZIEHL-ABEGG fans, motors and the perfectly adapted control technology. All the catalogues are available on www.ziehl-abegg.de website in the "Download" section.



Contents




Part 1

| | | | | |
|-----------------------------------|---|---|----------|-------------|
| The ZIEHL-ABEGG Company | | | Page 6 | Information |
| Introduction railroad engineering | | | Page 14 | |
| ZArail | Single-ended extracting, backward-curved impeller for the increased requirements in railway systems. |  | Page 38 | ZArail |
| Cpro-ECblue | Free running Cpro impeller made of fire proof certified high-performance composite material ZA |  | Page 82 | Cpro-ECblue |
| C-ECblue | Impeller with rotating, non-fluted diffuser for high efficiency levels and favourable acoustic characteristics with high-efficiency EC motor. |  | Page 106 | C-ECblue |
| C series | Impeller with rotating, non-fluted diffuser for high efficiency levels and favourable acoustic characteristics. |  | Page 146 | C series |
| N-series | Series with very good acoustic properties combined with the highest efficiency |  | Page 184 | N series |
| M series | Versatile series with different wheel widths for applications with demanding mechanical requirements, such as railway systems or high temperatures. |  | Page 196 | M series |
| FE2owlet | Fluted, sickle-shaped blades based on bionic insights. |  | Page 244 | FE2owlet |



Contents

Part 2

| | | | | |
|--------------------|---|---|----------|--------------------|
| FC | Fluted aluminium die-cast blade for use in aerodynamically designed air duct systems, such as full nozzles and pipe installation. |  | Page 272 | FC |
| System components | |  | Page 300 | System components |
| Control technology | |  | Page 304 | Control technology |
| General notes | | | Page 318 | Appendix |



ZAvblue

ZIEHL-ABEGG

Die Königsklasse

*der Lufttechnik,
Regeletechnik und Antriebstechnik*

**Mehr
Volumen
bei kleinerer
Baugröße**



Welcome to the world of ZIEHL-ABEGG

Top technology "Made by ZIEHL-ABEGG"

A pioneering spirit and the courage of innovation were the driving forces behind Emil Ziehl's development of his first external rotor motor over a hundred years ago. With this he laid the corner stone for the success story of ZIEHL-ABEGG in 1910. Today, the family company ZIEHL-ABEGG, with its headquarters in Künzelsau, develops, produces and sells high quality, high-tech components: Fans, special electric motors and their perfectly adapted, state-of-the-art control technology. Still today, Emil Ziehl's pioneering spirit is the motivator for making good even better and finding new, revolutionary solutions. ZIEHL-ABEGG is based in Southern Germany but is at home all over the world. At the world-wide production and sales sites, thousands of employees develop, produce and sell technical, economical and ecological progress.

Welcome to the world of ventilation, control and drive technology.

Your contact into the world of ZIEHL-ABEGG

Would you like to learn more about the company ZIEHL-ABEGG, its products and applications? Your current direct contact partners can always be found at www.ziehl-abegg.com



One-stop expertise

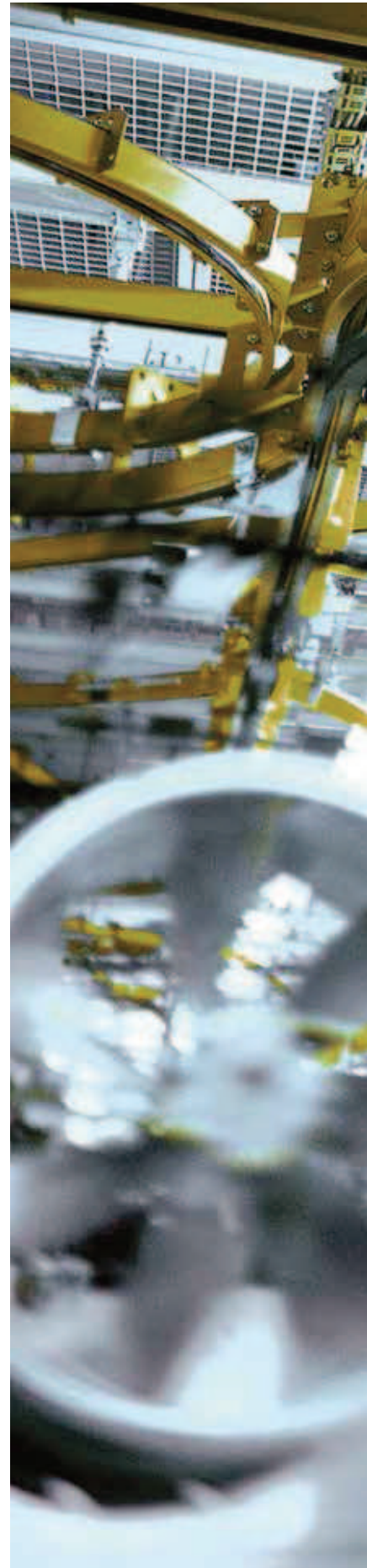
Fan, motor and control technology

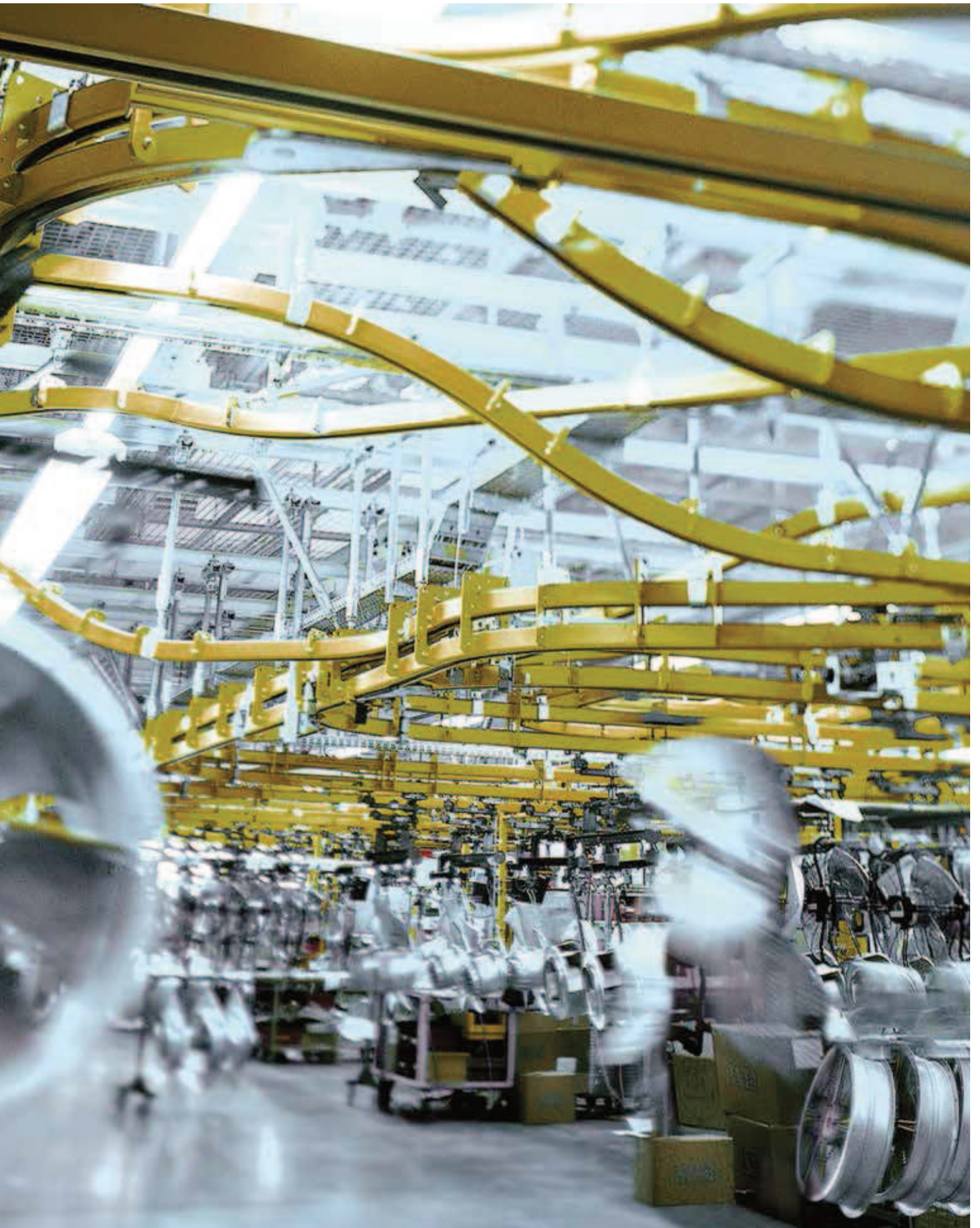
Whether air conditioning, drying, cooling or ventilating, the efficient fans with adapted drive and control technology from ZIEHL-ABEGG cope with these tasks safely and reliably. Individual and also complex customer requirements are welcome challenges.

At ZIEHL-ABEGG headquarters in Künzelsau, more than 300 engineers and technicians concentrate daily on finding the best solution. In the InVent, one of the most modern technology centres of its kind, they work on the innovations of the future. Their ideas are put into practice by excellently trained specialists on state-of-the-art plants. The production as well as all processes are accompanied by prudent quality management. ZIEHL-ABEGG products are subjected to rigorous testing before being put into operation at the customer's. On the world's biggest air and noise test bench, vibrations and external noises are eliminated and thus ensure top class fan measurements in accordance with ISO and DIN. The result is top class products and services which are marked by the seals "Premium Quality" and "Premium Efficiency".

The world's biggest and most modern test bench for fans at the headquarters in Künzelsau

State-of-the-art production lines to meet the highest demands





Information

ZArail

Cpro-ECblue

C-ECblue

C series

N series

M series

FE2owlet

EC fans of the Royal League

Quiet, efficient, environmentally friendly

EC fans from ZIEHL-ABEGG unite state-of-the-art motor technology with innovative aerodynamics. This symbiosis scores high marks by merging revolutionary ECblue technology with premium fans. The result is efficiency and absolutely economical operation. The new generation of axial fans heads the ECblue technology: The FE2owlet has biologically designed rotor blades for almost noiseless conveyance of air. Moreover, the FE2owletbio is made from 100% recyclable bio-polyamides. Further highlights of material development at ZIEHL-ABEGG are shown in the Cpro centrifugal fan with the new ZAmid® technology. The new high performance composite material is as hard as steel but only half the weight. This is kind on the bearings and saves energy. Greater efficiency also comes from the newly developed blade geometry in the centrifugal impellers which has only become possible thanks to the innovative composite material. In standard application, EC-fans achieve maximum volume flows with extraordinary efficiency despite their low noise. Together with the ECblue motors, ZIEHL-ABEGG fans achieve a dynamic response which makes them absolute leaders in environmental friendliness and efficiency.



ECblue motor technology

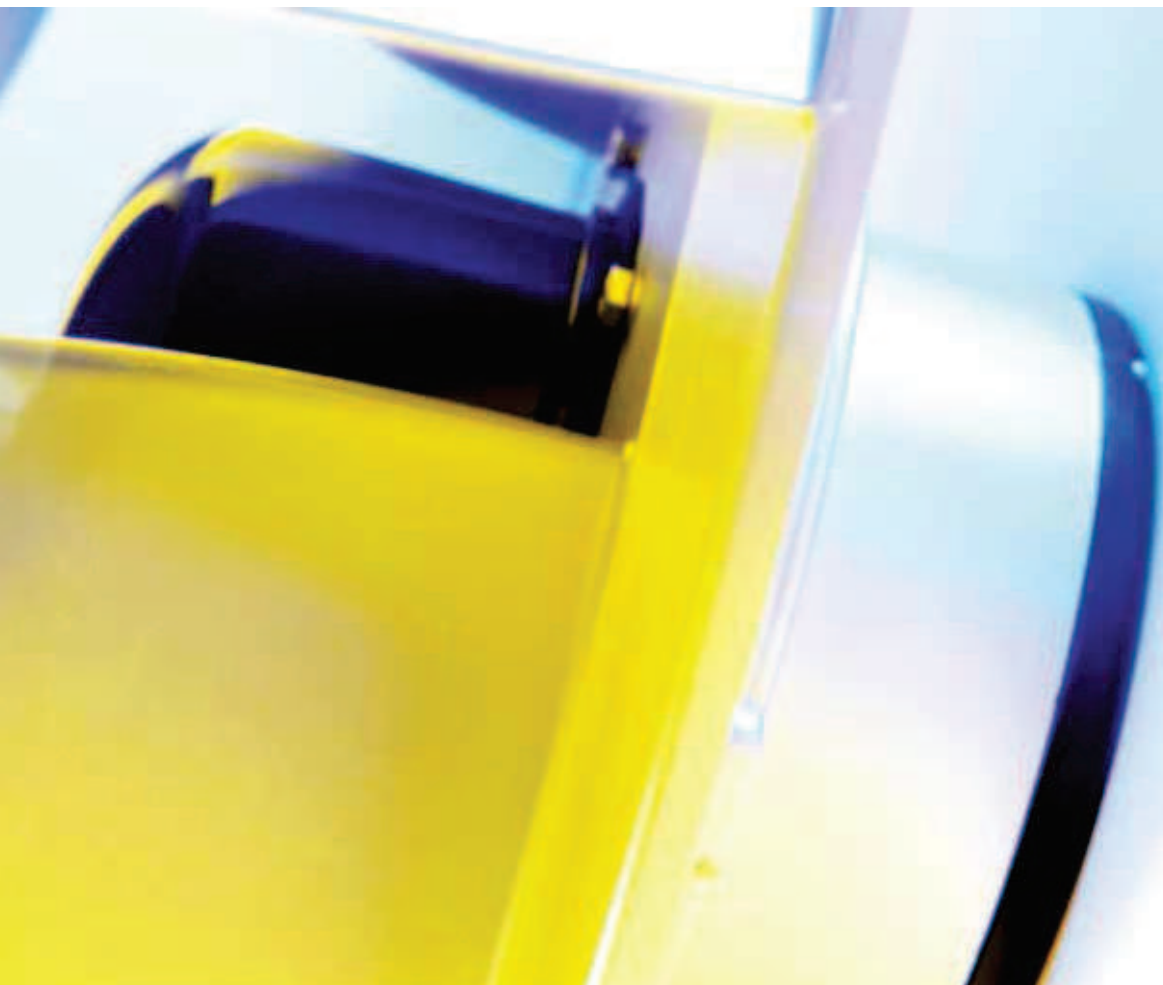




Maximum efficiency and minimum consumption
ECblue with the latest **ZAmid**® Technology
Radial fans sector



Unique bionic profile FE2owlet,
combined with ECblue technology



AC-fans of the Royal League

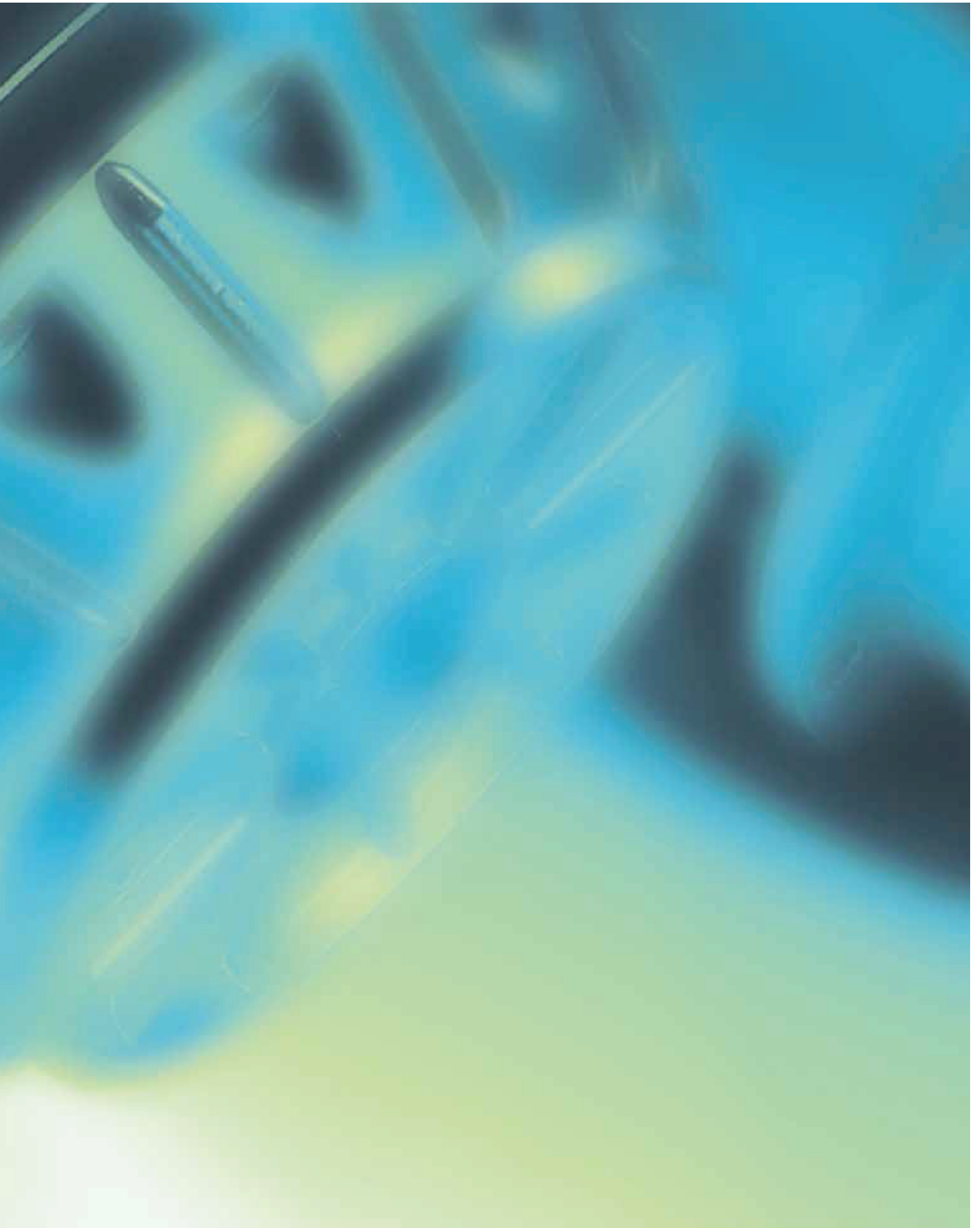
Strong, robust, extraordinary

In all applications in which the material is exposed to immense stress, the AC fans from ZIEHL-ABEGG demonstrate their quality and ability. Their solid components and robust design and technology are able to withstand even the greatest stresses. The fans are therefore used in many different areas of industry or agriculture - wherever absolute insensitivity and stability is important.

The high quality motor technology is the result of decades of experience at ZIEHL-ABEGG. Intelligently used components such as the Fcontrol frequency inverter make them environmentally friendly and efficient key players. Maintenance-free and extraordinarily performant, AC fans from ZIEHL-ABEGG are a safe and rewarding investment.

AC motor technology, robust in operation





- Information
- ZA rail
- Cpro-ECblue
- C-ECblue
- C series
- N series
- M series
- FE2owlet

Introduction to railroad engineering

Your ticket for a royal league ride



As the world's leading system supplier in the field of fans and drives with matching control technology, ZIEHL-ABEGG offers innovative solutions for railroad engineering. We are a reliable innovation partner to many companies and rely on our decades of product experience in railroad engineering with special areas of application such as vehicle engineering, wind power stations, agriculture, the chemical industry and transformer cooling.

We produce tens of thousands of fans for the railroad engineering sector every year. With our wide range of products and our more than 300 man strong development team, we are able to flexibly create application-specific solutions. Our world-wide sales and production network provides you with our services locally.



Expertise for the highest demands

Through their global use in a variety of climate zones and the continuous movements of trains, the fans for railroad engineering must be able to withstand high stresses - unlike fans designed for stationary use. They are exposed to vibrations, shocks and extreme ambient conditions such as dirty or humid air, heavy rain, hail, extreme heat or even radiation. ZIEHL-ABEGG fans also have to function for different power supplies and quality levels. They are used for many years, often for the entire train service life of more than 30 years.

ZIEHL-ABEGG fans for railroad engineering have been specially designed for these high demands being tested in practice for years.

Whether mainline, high-speed, metro, light train or locomotive network, solutions from ZIEHL-ABEGG are required in all areas of railroad engineering where fans are required for cooling or ventilation. From passenger compartment ventilation to motor cooling.

An experienced team specialised in railroad engineering develops products implementing applications precisely tailored to individual application areas.

Introduction to railroad engineering

Usage examples

In railroad engineering, ZIEHL-ABEGG fans are used in a variety of applications.

Passenger compartments

In the case of passenger compartment air conditioning, ventilation systems ensure the travel comfort of passengers. The air exchange is easy to control producing low-noise and an efficient result.

Driver's cabins

In driver's cabins, fans produce the right climate during work requiring a high level of concentration.

Electronics and choke cooling

When used in electronics and choke cooling, ZIEHL-ABEGG fans prevent overheating of components by means of efficient heat dissipation, thus supporting the safe and reliable functioning of systems.

Brake resistor

Fans for cooling brake resistors are optimised to the exact operating point reducing the resulting temperatures quickly and safely.



Transformer cooling/oil cooler

In transformer cooling, ZIEHL-ABEGG fans are used for the active air cooling of the attached oil coolers. In this way, they reduce the self-heating of the transformer.

Compressor cooling

Compressors are used in railroad engineering in various applications including also for producing compressed air and are cooled with fans to protect against overheating.

Traction motor cooling




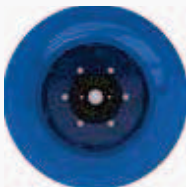




Traction motor cooling places great demands on the fans used. ZIEHL-ABEGG fans are optimised to the exact operating point thus ensuring a smooth ride.

Ventilation for machine rooms

The correct ventilation for machine rooms not only ensures safe air exchange but also optimum motor cooling.



Overview centrifugal fans

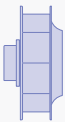
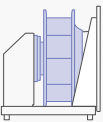
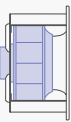
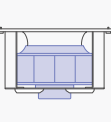
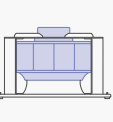
| Series | ZArail Steel Standard motor AC Technology Page 38 | Cpro High-performance composite material External rotor motor EC Technology Page 82 | C series Aluminium External rotor motor EC Technology Page 106 |
|----------|--|--|--|
| Impeller |  |  |  |
| |  |  |  |
| |  |  |  |

| Series | C series Aluminium / steel External rotor motor AC Technology Page 146 | N series Aluminium External rotor motor AC Technology Page 184 | M series Aluminium / steel External rotor motor AC Technology Page 196 |
|----------|---|---|---|
| Impeller |  |  |  |
| |  |  |  |
| |  |  |  |



Design and installation position

GR / ER modular construction

| Design | Free-running impeller RH | Plug fan ER | Ventilation unit GR | Ventilation unit GR | Ventilation unit GR |
|-----------------------|---|---|---|---|---|
| Installation position | H/Vu/Vo | H | H | Vo | Vu |
| |  |  |  |  |  |

Designs/customer requirements

These catalogue pages only show examples of fans with RH (free running impeller) design.

In addition to that, ZIEHL-ABEGG's range has a whole variety of designs and variants.

Including:

- Customer-specific installation and cooling modules
- Cooling modules for compact installation in the customer device
- Screwed support structure made of galvanized sheet steel or powder coated for high-quality corrosion protection requirements
- Integrated inlet nozzle for optimum impeller inflow

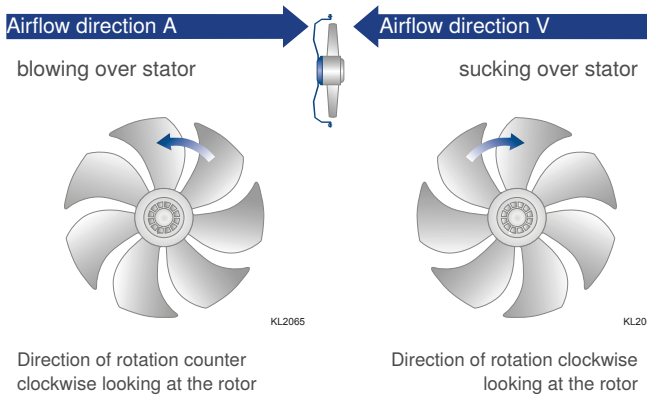
A customer-specific design will also be made on request

We will be happy to advise you on how to find exactly the right fan for your application.



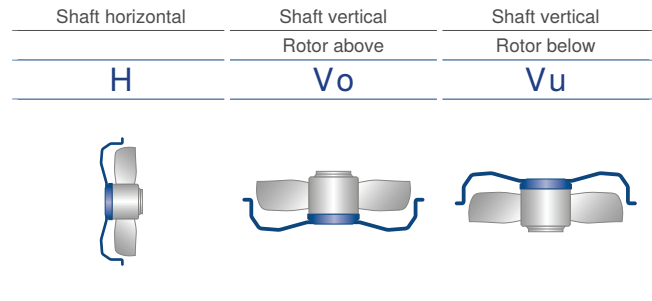
Overview axial fans

Airflow direction



Installation position

The axial fans are usually suitable for all installation positions. For details please see the part-specific documentation.



Designs/customer requirements

The catalogue pages only show examples of fans without structures (design A).

In addition to that, ZIEHL-ABEGG's range has a whole variety of designs and variants.

Some examples of customer-specific solutions:

- Integrated inlet nozzle for optimum impeller inflow
- Safety grille on the suction side or on the pressure side
- An especially robust motor support

A customer-specific design will also be made on request.

We will be happy to advise you on how to find exactly the right fan for your application.

| Series | FE2owlet | FC |
|--------|----------------------|----------------------|
| | Aluminium | Aluminium |
| | External rotor motor | External rotor motor |
| | AC Technology | AC Technology |
| | Page 244 | Page 272 |



| Design | H (guard grille pressure side) | F (without contact protection) | L (guard grille suction side) | Q (guard grille pressure side) |
|--------|--------------------------------|--------------------------------|-------------------------------|--------------------------------|
| | | | | |

Relevant standards for railroad

In order to ensure the definitive suitability of the product for the special application, it is necessary to test and validate it yourself in the customer device/in your application. (We consider it necessary to perform these tests in the overall assembly in order to achieve realistic results.) ZIEHL-ABEGG can provide no warranty in respect of the suitability of the product for the special application.

Please note regarding the ErP Directive

The Directive 2009/125 / EC does not apply to fans and motors, which are used in passenger and freight traffic transport.

We comply with the specifications of the following rail-specific standards among others:

EN 50155: 2007

Railway applications - Electronic equipment used on rolling stock

EN 50124-1: 2010

Railway applications- Insulation coordination - Part 1: Basic requirements - Clearances and creepage distances for all electrical and electronic equipment

EN 50121-3-2:2006

Railway applications - Electromagnetic compatibility - Part 3-2: Rolling stock apparatus

EN 60349-2: 2010

Electric traction - Rotating electrical machines for rail and road vehicles. - Part2 Electronic converted-fed alternating current motors

EN 61373:2010

Railway applications - Rolling stock equipment - Shock and vibration tests

EN 45545-2:2013

Railway applications - fire protection for railway vehicles - Part 2: Requirements for fire behaviour of materials and components

DIN EN 15085:2013

Railway applications - Welding of railway vehicles and components, classification level CL1

Ziehl-Abegg is certified in accordance with EN15085 "Welding of railway vehicles and components" classification level CL1.

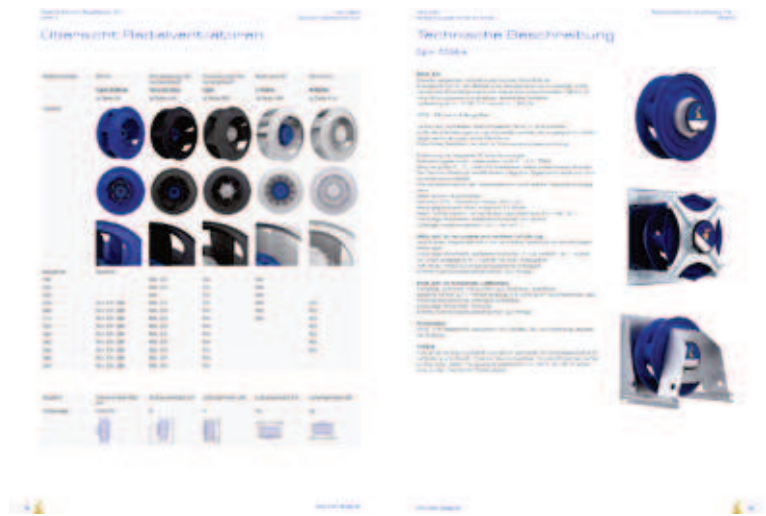
EN 60721-3-5:1997

Classification of environmental conditions. Part 3: Classification of groups of environmental parameters and their severities. Section 5: Ground vehicle installations

Selection of fans step by step

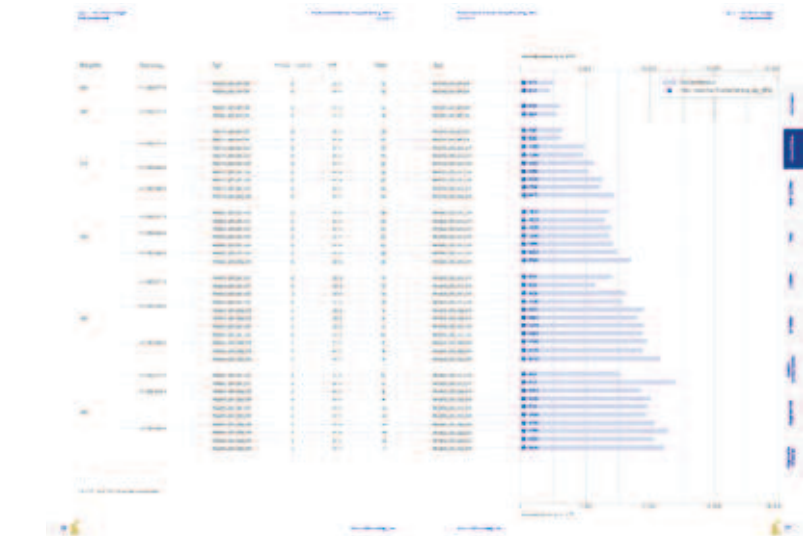
1. Centrifugal fans overview

Get an initial overview of our centrifugal fans and quickly navigate to the section of the catalogue pertaining to your needs.



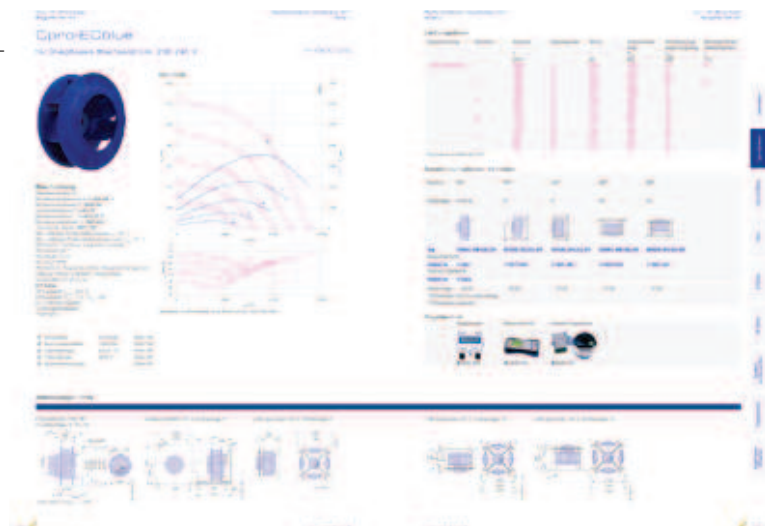
2. Quick selection

Obtain product details quickly and easily, thanks to quick selection using the volume flow rate and the volume flow rate technical data.



3. Product details

The double product page contains all relevant product information for your selected fan.



| |
|-------------|
| Information |
| ZArail |
| Cpro-ECblue |
| C-ECblue |
| C series |
| N series |
| M series |
| FE2owlet |



Technical description

ZArail (without motor)

Product specification

Fatigue durable* design for up to 40 switching operations/h. Circumference-welded blades and fully moulded blade edges. Applicable in a temperature range of 150 K (-50 °C to +100 °C). Air handling capacity up to 15,000 m³/h or a maximum pressure increase of 2,800 Pa in 50 Hz operation (alternatively in the case of 60 Hz up to 18,000 m³/h or 4,000 Pa). Through its unique series characteristics, almost any operating point can be achieved without additional RPM control. 20 standardised impellers: 5 frame sizes – 315, 355, 400, 450 (2-pole) and 500 (4-pole), each available in various widths and diameters. Corrosion protection as a standard feature through powder coating, RAL 5002 (ultramarine blue), deviating colours on request. Tested in continuous operation and long-term tests. Up to 1,000 h endurance in the case of salt spray testing according to DIN EN ISO 9227. Improved strength – mathematical proof of strength according to FKM guideline with FEM calculations. Welding according to EN 15085 certification level CL2 (CL1 on request), seam quality class CP C2. With hub in half key balancing according to DIN ISO 8821, balance quality G 2.5 according to ISO 1940-1. Function test and balancing test are required in its installed condition.

*in the case of a typical switching operation in the train (50 Hz, 60 °C, 80% 2-pole 20% 4-pole, 20 switching operations 4-2 pole/h, 2 starts/ h, 6,500 h/a).

Properties and special features

Single-ended extracting, backward-curved impeller for the increased requirements in railway systems. Strength-optimised impeller design with 7 blades for extreme demands coupled with high efficiency levels and favourable acoustic behaviour.

Motor concepts

Internal rotor motors

- AC technology

Application examples

- Electronics and choke cooling
- Brake resistor cooling
- Transformer cooling/oil cooler
- Compressor cooling
- Traction motor cooling



Technical description

ZArail (with IEC standard motor)

Product specification

Free running motor impeller including inlet nozzle for optimum impeller inflow made of galvanized or powder coated sheet steel. Complete fan balanced, permissible vibration intensity smaller than 2.8 mm/s according to ISO 14694. IEC three-phase AC standard motor, 400/460V 50/60Hz, protection rating IP 55, type IMB3, thermal class 155. Standard version for feed-air temperatures from -30°C to +60°C. Standard design for 10 switching operations per hour. Vibration-proof version, outer earthing, balancing weight made of stainless steel. Installation position horizontal, motor foot below. 2-4 or 4-8 pole version using Dahlander pole-changing. Electrical configuration according to EN 60034-1 or EN 60349-2 (railway auxiliary motor). Motor for frequency converter designed in railway systems. Fan must be tested for suitability and validated in the customer device

Further versions on request:

Various motor manufacturers. Customer-specific requirements (other temperatures, voltages, increased corrosion protection measures, operation cycles, other installation positions etc.). Fan in GR modular construction made of galvanized sheet steel or sheet steel with epoxy/polyester powder coating for optimum installation in the customer device.

Properties and special features

Single-ended extracting, backward-curved impeller for the increased requirements in railway systems. Strength-optimised impeller design with 7 blades for extreme demands coupled with high efficiency levels and favourable acoustic behaviour.

Motor concepts

Internal rotor motors

- AC technology

Application examples

- Electronics and choke cooling
- Brake resistor cooling
- Transformer cooling/oil cooler
- Compressor cooling
- Traction motor cooling



Information

ZArail

Cpro-ECblue

C-ECblue

C series

N series

M series

FE2owlet

Technical description

Cpro railroad engineering

Product specification

Cpro free running impeller made of high-performance composite material for railroad engineering using fire proof certified material, certified according to **requirement set R1 and R7 in HL2 of DIN EN 45545-2 or R23/R24 HL3**.

7 backward-curved blades in frame sizes 250- 450 mm (630 mm on request). Volume flow rates up to 12,000 m³/h free blowing, max. static pressure increase up to 1,800 Pa possible. As a motor impeller or ER / GR module version for compact installation in customer applications/devices for horizontal and vertical air feed.

Properties and special features

Impeller with rotating, non-fluted diffuser for high efficiency levels and favourable acoustic characteristics. Reduced rotational tone as a result of special three-dimensional blade geometry. Thanks to the high-quality plastic material, it has a high temperature application range of -35 to +60 °C as well as a high chemical resistance.

Motor concepts

External rotor motors

- EC technology ECblue with integrated controller geared to the fan
- AC technology on request

Application examples

- Passenger compartment/driver's cabin ventilation
- Electronics and choke cooling
- Transformer cooling/oil cooler
- Ventilation for machine rooms



Technical description

C series railroad engineering

Product specification

Free running impeller with 7 backward-curved blades in frame sizes 225 to 450 mm. Impeller made of sheet steel with surface protection provided by powder coating or unpainted aluminium. As a motor impeller or ER/GR module version. Volume flow rates up to 8,000 m³/h free blowing, max. static pressure increase up to 2,300 Pa possible. GR modules for compact installation in customer applications/devices for horizontal and vertical air feed.

Properties and special features

Impeller with rotating, non-fluted diffuser for high efficiency levels and favourable acoustic characteristics
Temperature application range of -40 to +70 °C.

Motor concepts

External rotor motors

- EC technology ECblue with integrated controller geared to the fan
- AC technology

Application examples

- Passenger compartment/driver's cabin ventilation
- Electronics and choke cooling
- Brake resistor cooling
- Transformer cooling/oil cooler
- Traction motor cooling
- Ventilation for machine rooms



Information

ZArail

Cpro-ECblue

C-ECblue

C series

N series

M series

FE2owlet

Technical description

N series railroad engineering

Product specification

Free running motor impeller with 7 backward-curved blades in frame sizes 500, 560, 630 for use without spiral housing. Impeller made of aluminium, unpainted. Volume flow rates up to 16,500 m³/h free blowing, max. static pressure increase up to 1,200 Pa possible. GR modules for compact installation in customer applications/devices for horizontal and vertical air feed.

Properties and special features

Series with very good acoustic properties combined with the highest efficiency.

Motor concepts

External rotor motors

- AC technology

Application examples

- Condenser cooling
- Electronics and choke cooling
- Ventilation for machine rooms



Technical description

M series railroad engineering

Product specification

The single-ended extracting, backward-curved motor impellers in the M series are intended for use without spiral housing. Available in frame sizes 225 - 630 mm (larger sizes on request). Thus, volume flow rates up to 15,000 m³/h and static pressures up to 1,800 Pa can be achieved.

Properties and special features

Versatile series with different wheel widths for applications with demanding mechanical requirements, such as railway systems or high temperatures.

Motor concepts

External rotor motors

- AC technology

Application examples

- Passenger compartment/driver's cabin ventilation
- Electronics and choke cooling
- Brake resistor cooling
- Transformer cooling/oil cooler
- Traction motor cooling
- Ventilation for machine rooms



Information

ZArail

Cpro-ECblue

C-ECblue

C series

N series

M series

FE2owlet

Technical description

R series railroad engineering

Product specification

Single-ended/double-ended extracting EC centrifugal fans in the optimised spiral housing with forwards-curved blades. Energy-optimised for operation in a spiral housing for a high level of efficiency and favourable acoustic characteristics. Available in frame sizes 180 to 450 mm (single-ended) and 250 to 450 mm (double-ended). This allows for volume flow rates of up to 9,000 m³/h and static pressures of up to 1,100 Pa.

Properties and special features

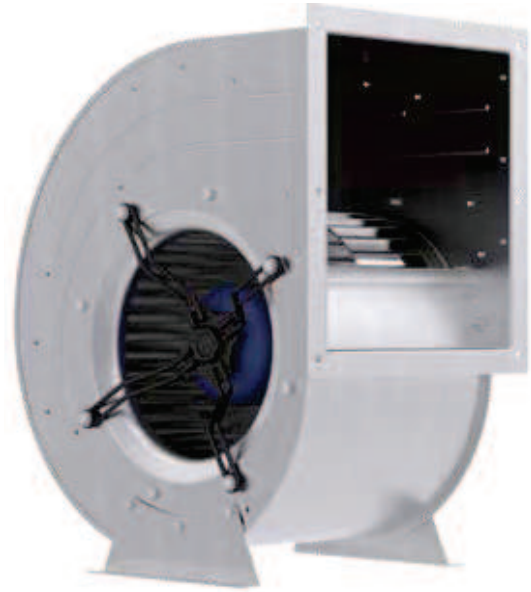
Scroll fans in the R series are characterised by their high output density. The high number of blades means the fans have good sound characteristics with very little noise produced by the blades rotating. Housing with discharge flange and fastening bracket.

Motor concepts

External rotor motors

- ECblue EC technology with integrated controller matched to the fan

Technical data see centrifugal fans main catalogue.



Technical description

S series railroad engineering

Product specification

Single-ended/double-ended extracting centrifugal fans in the compact housing with forwards-curved blades. Available in frame sizes 280 to 400 mm (single-ended) and 200 to 400 mm (double-ended). This allows for volume flow rates of up to approx. 14,000 m³/h and static pressures of up to 1,150 Pa.

Properties and special features

Scroll fans in the S series are characterised by their compact housing design and high output density. The high number of blades means the fans have good sound characteristics with very little noise produced by the blades rotating. Optimum motor cooling and compact design due to voltage variable external rotor motor in the impeller. Option of housing with discharge flange and fastening brackets.

Motor concepts

External rotor motors

- AC technology

Technical data see centrifugal fans main catalogue.



P series railroad engineering

Product specification

Single-ended/double-ended extracting centrifugal fans in the standard spiral housing with forwards-curved blades. Available in frame sizes 200 to 450 mm. Available in frame sizes 200 to 450 mm. This allows for volume flow rates of up to 21,000 m³/h and static pressures of up to 1,000 Pa.

Properties and special features

Scroll fans in the P series are characterised by their high output density. The high number of blades means the fans have good sound characteristics with very little noise produced by the blades rotating. Housing with discharge flange and fastening bracket.

Motor concepts

External rotor motors

- AC technology

Technical data see centrifugal fans main catalogue.



Information

ZArail

Cpro-ECblue

C-ECblue

C series

N series

M series

FE2owlet

Technical description

FE2owlet railroad engineering

Product specification

Fluted, sickle-shaped blades based on bionic insights. Available frame sizes 310 - 800 mm, volume flow rates up to 30,000 m³/h and static pressure increase up to 380 Pa.

Properties and special features

- Low operating costs due to optimum efficiency with minimum noise levels
- Very smooth running and long service life thanks to dynamic balancing in two planes
- Compact dimensions for every installation situation
- Numerous approvals (incl. VDE, UL, CCC, EAC, CE)

Motor concepts

External rotor motors

- AC technology

Application examples

- Brake resistor cooling
- Transformer cooling/oil cooler
- Ventilation for machine rooms
- Air conditioning in driver's cabin/passenger compartment



Technical description

FC railroad engineering

Product specification

Fluted aluminium die-cast blade for use in aerodynamically designed air duct systems, such as full nozzles and pipe installation. Available frame sizes 250 - 800 mm, volume flow rates up to 35,000 m³/h and static pressure increase up to 350 Pa.

Properties and special features

- Compromise between energy efficiency and investment costs
- Very smooth running and long service life thanks to dynamic balancing in two planes
- Numerous approvals (incl. VDE, UL, CCC, EAC, CE)

Motor concepts

External rotor motors

- AC technology

Application examples

- Brake resistor cooling
- Transformer cooling/oil cooler
- Ventilation for machine rooms
- Air conditioning in driver's cabin/passenger compartment



Information

ZArail

Cpro-ECblue

C-ECblue

C series

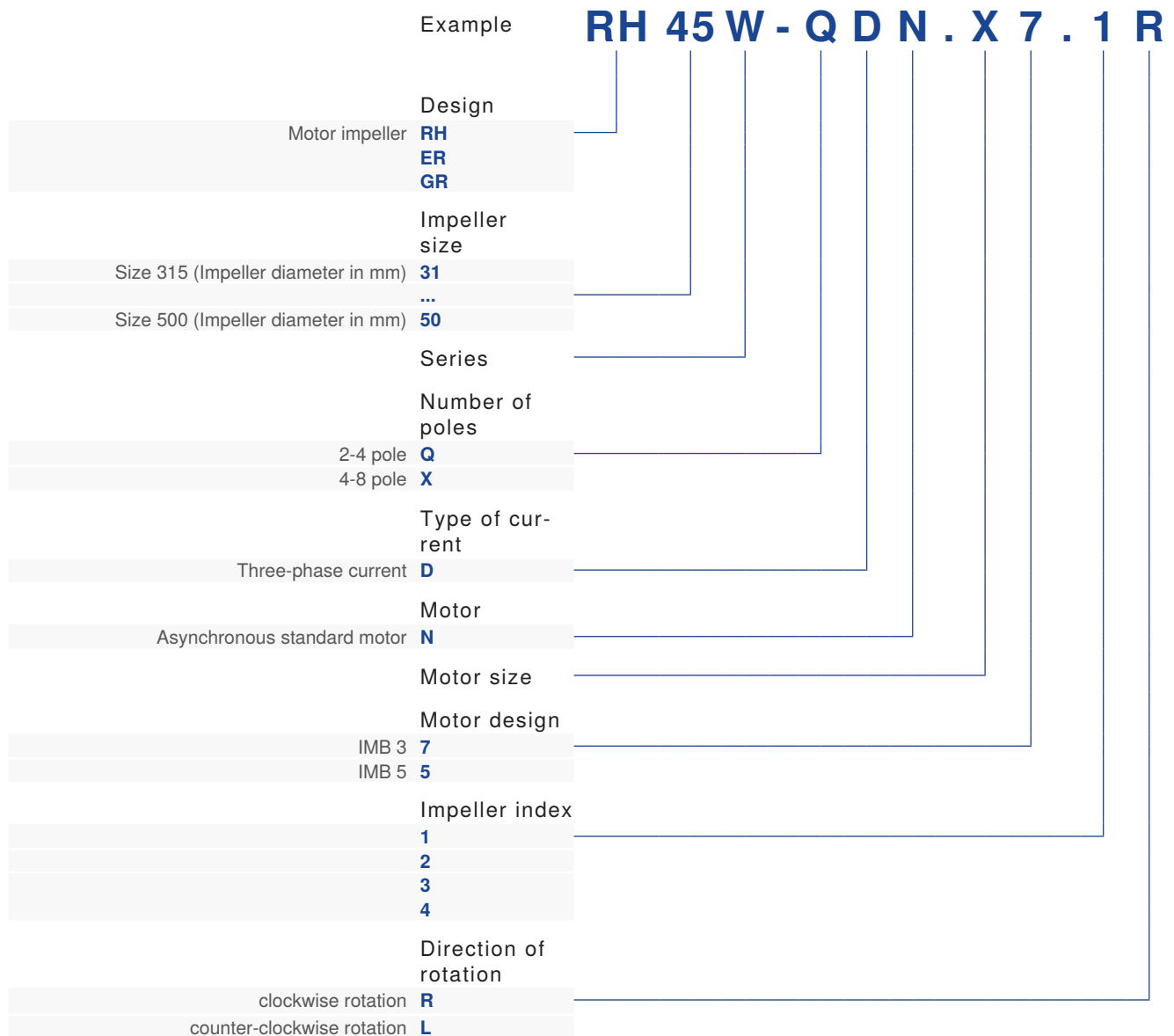
N series

M series

FE2owlet

Type key

Centrifugal fans with standard motor



Required order data

Please specify the following when ordering: Type, article no. and part no. system components if applicable

Example

Type: RH45W-QDN.X7.1R
Article no. 172344 (50 Hz), 172364 (60 Hz)



Type key

Centrifugal fans with external rotor motor

| Example | | RH 45 C - Z I K . D C . 1 R | |
|---|------------|------------------------------------|--|
| Design | | | |
| Motor impeller | RH | | |
| Plug fan | ER | | |
| Ventilation unit | GR | | |
| Impeller size | | | |
| ... | ... | | |
| Size 450 (Impeller diameter in mm) | 45 | | |
| Size 500 (Impeller diameter in mm) | 50 | | |
| Size 560 (Impeller diameter in mm) | 56 | | |
| Size 630 (Impeller diameter in mm) | 63 | | |
| Series | | | |
| C impeller | C | | |
| N-Impeller | N | | |
| M impeller | M | | |
| Number of poles | | | |
| 2-pole | 2 | | |
| 4 pole | 4 | | |
| 4-4 pole | V | | |
| 6 pole | 6 | | |
| 6-6 pole | S | | |
| 8 pole | 8 | | |
| 8-8 pole | A | | |
| 10 pole | Z | | |
| Type of current | | | |
| External rotor EC motor with controller | I | | |
| three phase alternating current | D | | |
| single phase alternating current | E | | |
| Motor type | | | |
| D flange | D | | |
| K flange | K | | |
| Motor | | | |
| Impeller index | | | |
| | C | | |
| | 1 | | |
| | 2 | | |
| | 3 | | |
| Direction of rotation | | | |
| clockwise rotation | R | | |
| counter-clockwise rotation | L | | |

Required order data

Please specify the following when ordering: Type, article no. and part no. system components if applicable

Example

Type: RH45C-ZIK.DC.1R,
Article no.: 171870

- Information
- ZArail
- Cpro-ECblue
- C-ECblue
- C series
- N series
- M series
- FE2owlet

Type key

Axial fans with external rotor motor

| Example | | FN 050 - 4 E Q . 4I . A 7 P 1 | |
|---|------------|--------------------------------------|--|
| Axial fan | | | |
| | FN | | |
| | ZN | | |
| Size code | | | |
| impeller diameter 450 mm | 045 | | |
| impeller diameter 500 mm | 050 | | |
| and so on | | | |
| Number of poles | | | |
| 2 pole | 2 | | |
| 4 pole | 4 | | |
| 4-4 pole | V | | |
| 6 pole | 6 | | |
| 6-6 pole | S | | |
| 8 pole | 8 | | |
| 8-8 pole | A | | |
| 10 pole | Z | | |
| 10-10 pole | M | | |
| 12-12 pole | N | | |
| Type of current | | | |
| three phase alternating current | D | | |
| single phase alternating current | E | | |
| external rotor EC motor with controller | I | | |
| Fan design | | | |
| without mounting parts | A | | |
| Full bell mouth | | | |
| rectangular | Q | | |
| round | L | | |
| Pipe socket | | | |
| with one flange | H | | |
| Flange ring | | | |
| with two flanges | F | | |
| Motor | | | |
| Airflow direction | | | |
| sucking over stator | A | | |
| blowing over stator | V | | |
| Number of blades | | | |
| | 7 | | |
| Blade angle | | | |
| | P | | |
| Blade index | | | |
| | 1 | | |



Selection programme FANselect

The world's best selection program for fans

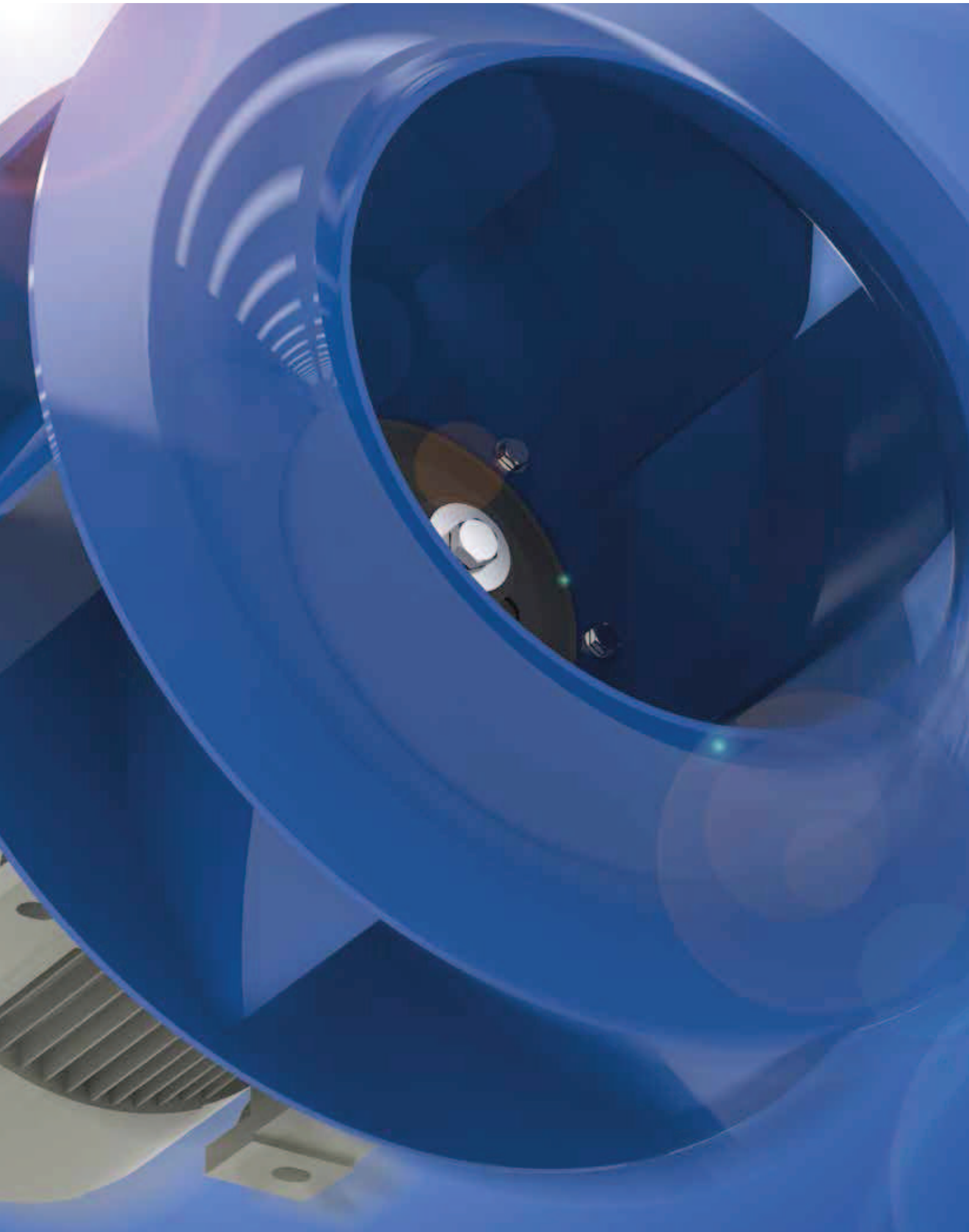


At www.fanselect.info, we are offering you FANselect, a selection program for axial and centrifugal fans with the matching system components.

With FANselect, you can, for instance, select and calculate the fans listed in this catalogue. FANselect provides you a facility for calculating the efficiency, the acoustics, the SFP and much more. In addition, you can also select the matching systems components. You can comfortably save your configuration in a file or print it out.

The FANselect selection program, including the customer DLL, is available for you to download at any time at www.fanselect.info.





ZArail

AC technology

Product overview

| | |
|-----------------|---------|
| Quick selection | Page 40 |
| Size 315 | Page 42 |
| Size 355 | Page 50 |
| Size 400 | Page 58 |
| Size 450 | Page 66 |
| Size 500 | Page 74 |

Information

ZArail

Cpro-ECblue

C-ECblue

C series

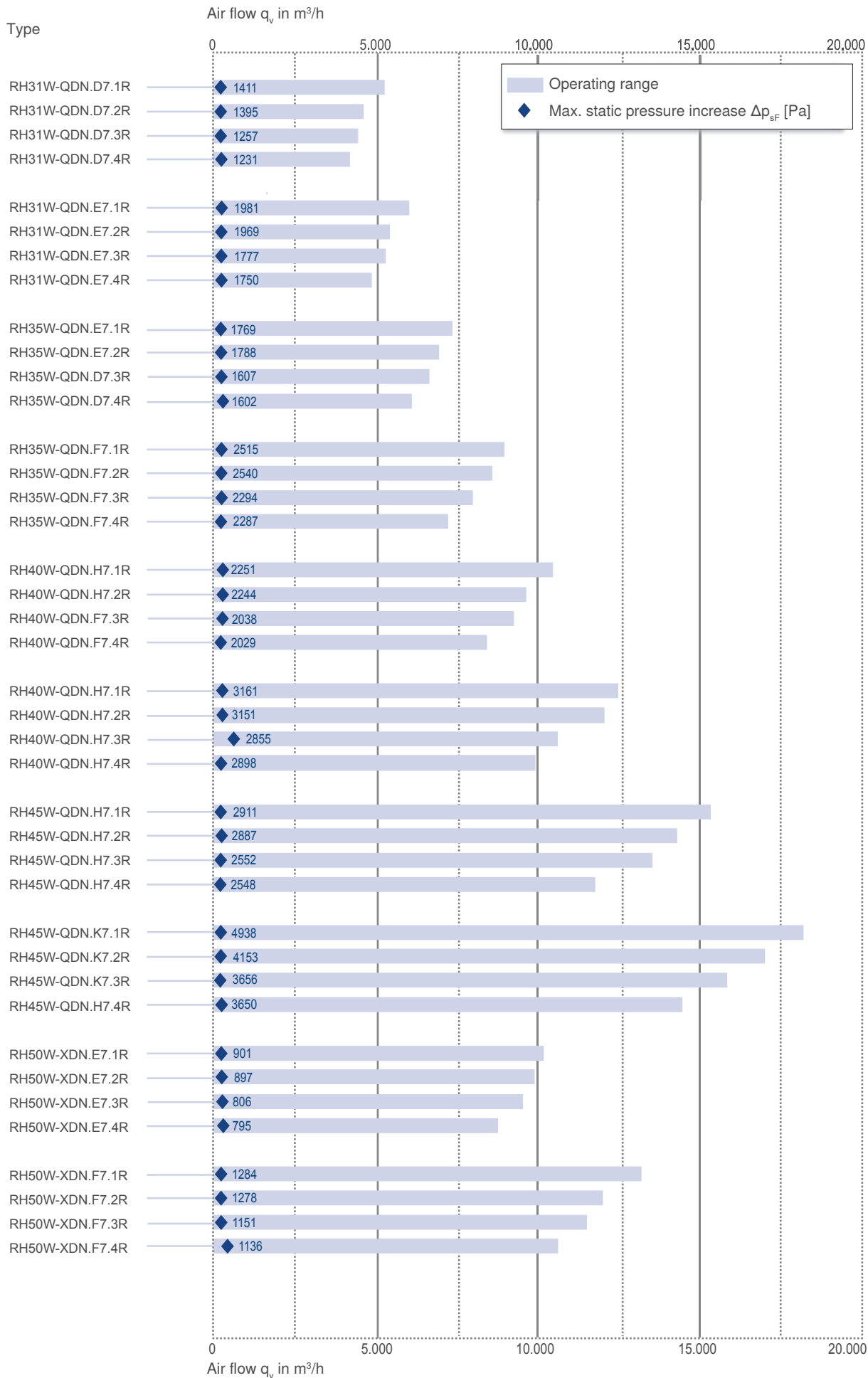
N series

M series

FE2owlet

| Size | Frequency | Voltage | Type | Page |
|------|-----------|---------|-----------------|------|
| 315 | 50 Hz | 3~ 400V | RH31W-QDN.D7.1R | 42 |
| | | | RH31W-QDN.D7.2R | 44 |
| | | | RH31W-QDN.D7.3R | 46 |
| | | | RH31W-QDN.D7.4R | 48 |
| | 60 Hz | 3~ 460V | RH31W-QDN.E7.1R | 42 |
| | | | RH31W-QDN.E7.2R | 44 |
| | | | RH31W-QDN.E7.3R | 46 |
| | | | RH31W-QDN.E7.4R | 48 |
| 355 | 50 Hz | 3~ 400V | RH35W-QDN.E7.1R | 50 |
| | | | RH35W-QDN.E7.2R | 52 |
| | | | RH35W-QDN.D7.3R | 54 |
| | | | RH35W-QDN.D7.4R | 56 |
| | 60 Hz | 3~ 460V | RH35W-QDN.F7.1R | 50 |
| | | | RH35W-QDN.F7.2R | 52 |
| | | | RH35W-QDN.F7.3R | 54 |
| | | | RH35W-QDN.F7.4R | 56 |
| 400 | 50 Hz | 3~ 400V | RH40W-QDN.H7.1R | 58 |
| | | | RH40W-QDN.H7.2R | 60 |
| | | | RH40W-QDN.F7.3R | 62 |
| | | | RH40W-QDN.F7.4R | 64 |
| | 60 Hz | 3~ 460V | RH40W-QDN.H7.1R | 58 |
| | | | RH40W-QDN.H7.2R | 60 |
| | | | RH40W-QDN.H7.3R | 62 |
| | | | RH40W-QDN.H7.4R | 64 |
| 450 | 50 Hz | 3~ 400V | RH45W-QDN.H7.1R | 66 |
| | | | RH45W-QDN.H7.2R | 68 |
| | | | RH45W-QDN.H7.3R | 70 |
| | | | RH45W-QDN.H7.4R | 72 |
| | 60 Hz | 3~ 460V | RH45W-QDN.K7.1R | 66 |
| | | | RH45W-QDN.K7.2R | 68 |
| | | | RH45W-QDN.K7.3R | 70 |
| | | | RH45W-QDN.H7.4R | 72 |
| 500 | 50 Hz | 3~ 400V | RH50W-XDN.E7.1R | 74 |
| | | | RH50W-XDN.E7.2R | 76 |
| | | | RH50W-XDN.E7.3R | 78 |
| | | | RH50W-XDN.E7.4R | 80 |
| | 60 Hz | 3~ 460V | RH50W-XDN.F7.1R | 74 |
| | | | RH50W-XDN.F7.2R | 76 |
| | | | RH50W-XDN.F7.3R | 78 |
| | | | RH50W-XDN.F7.4R | 80 |





Information

ZArail

Cpro-ECblue

C-ECblue

C series

N series

M series

FE2owllet



ZArail

RH31W..1R

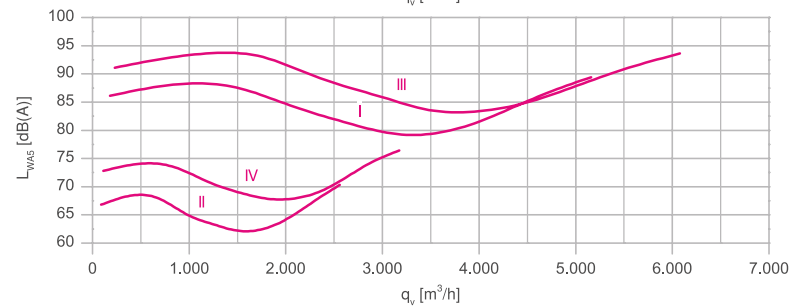
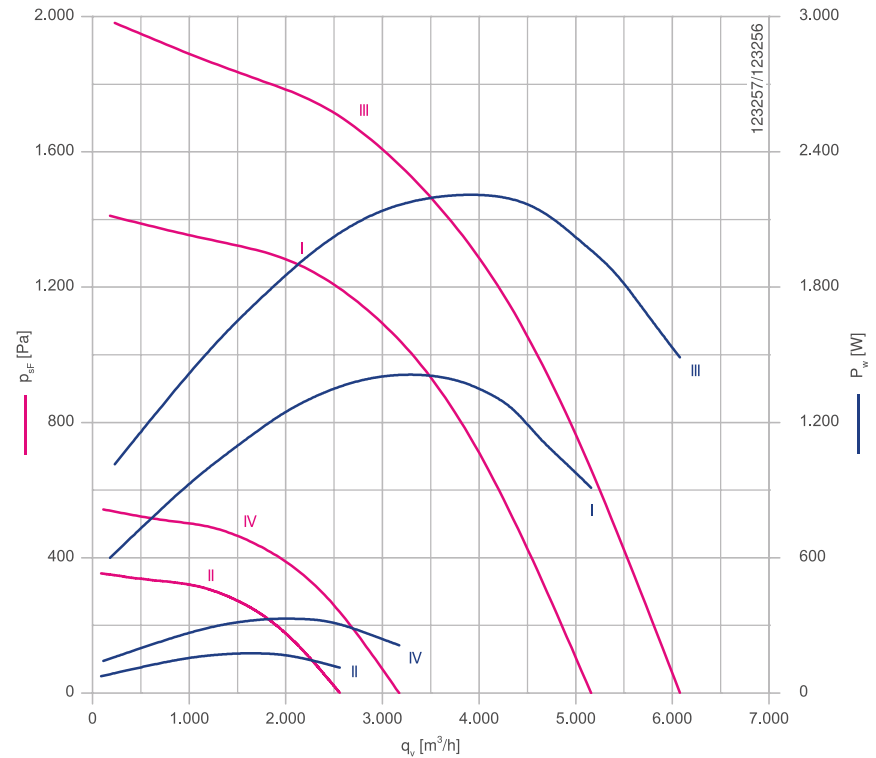
Standard motor



Description

Design: RH*
Design: IMB 3
Installation position: H
Thermal class: THCL155
Degree of protection : IP55
Number of poles: 4-2 pole
Min. permitted ambient temperature $t_{R(min)}$: -30 °C
Max. permitted ambient temperature $t_{R(max)}$: 60 °C
Impeller made of bright sheet metal, powder-coated, ultramarine blue
Inlet ring supplied loosely, powder-coated, RAL 7032 (pebble grey)

Characteristic curve



Measured with inlet ring, without guard grille according to ISO 5801

| | | | |
|--------------------|------------|---------------|----------|
| Inlet ring | 00411853 | RAL 7032 | Page 302 |
| | | (pebble grey) | |
| Inlet ring | 00411846 | unpainted | |
| Connection diagram | 1360-221XA | | Page 328 |
| | KLK | | |



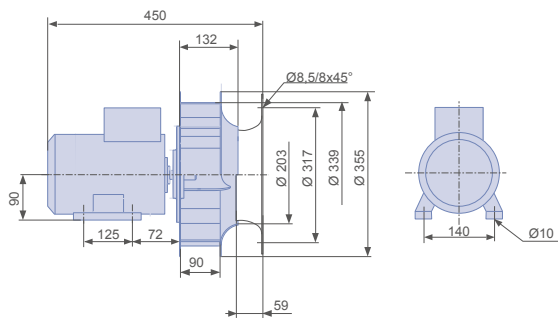
Performance data 50 Hz

| | | | |
|-----------------------|-----------|-------------------|------------------------|
| Rated frequency | f_{max} | Hz | 50 |
| Rated voltage | U_N | V | 400 |
| Motor size | | | 090L |
| Type | | | RH31W-QDN.D7.1R |
| Article no. | | | 172332 |
| Connection | | | Y/YY |
| Motor output power | P_N | kW | 0.18/1.50 |
| Rated current | I_N | A | 0.70/3.60 |
| Speed | n_N | min ⁻¹ | 1475/2890 |
| Weight | | kg | 28.00 |
| Characteristic curves | | | II/I |

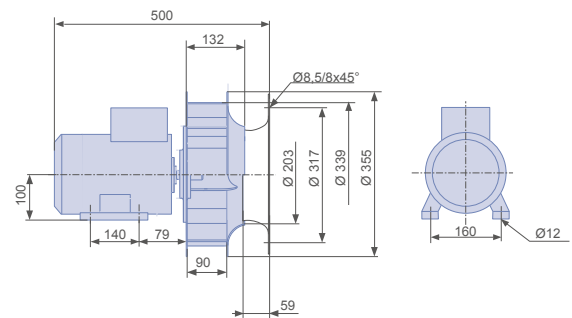
Performance data 60 Hz

| | | | |
|-----------------------|-----------|-------------------|------------------------|
| Rated frequency | f_{max} | Hz | 60 |
| Rated voltage | U_N | V | 460 |
| Motor size | | | 100L |
| Type | | | RH31W-QDN.E7.1R |
| Article no. | | | 172352 |
| Connection | | | Y/YY |
| Motor output power | P_N | kW | 0.30/2.40 |
| Rated current | I_N | A | 1.15/5.35 |
| Speed | n_N | min ⁻¹ | 1780/3530 |
| Weight | | kg | 40.00 |
| Characteristic curves | | | IV/III |

Dimensions mm



L-KL-3505-01



L-KL-3505-05

ZArail

RH31W..2R

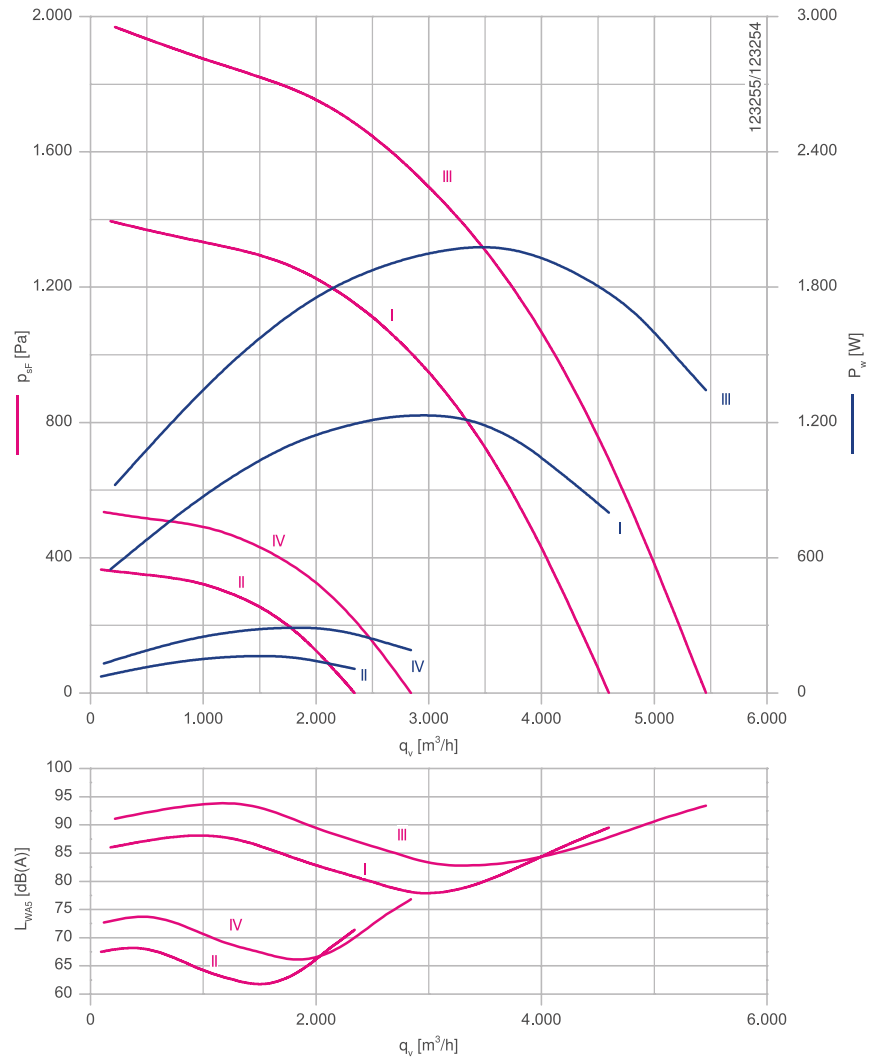
Standard motor



Description

Design: RH*
Design: IMB 3
Installation position: H
Thermal class: THCL155
Degree of protection : IP55
Number of poles: 4-2 pole
Min. permitted ambient temperature $t_{R(min)}$: -30 °C
Max. permitted ambient temperature $t_{R(max)}$: 60 °C
Impeller made of bright sheet metal, powder-coated, ultramarine blue
Inlet ring supplied loosely, powder-coated, RAL 7032 (pebble grey)

Characteristic curve



Measured with inlet ring, without guard grille according to ISO 5801

| | | | |
|--------------------|------------|---------------|----------|
| Inlet ring | 00411853 | RAL 7032 | Page 302 |
| | | (pebble grey) | |
| | | unpainted | |
| Inlet ring | 00411846 | | |
| Connection diagram | 1360-221XA | | Page 328 |
| | KLK | | |



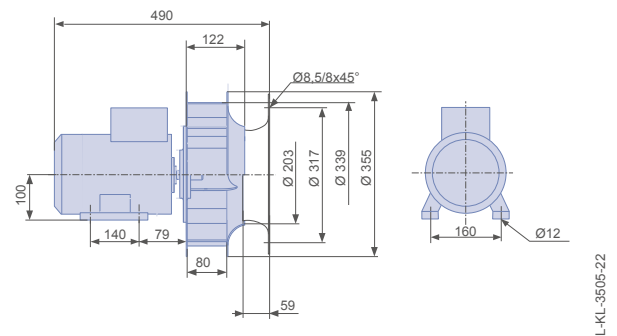
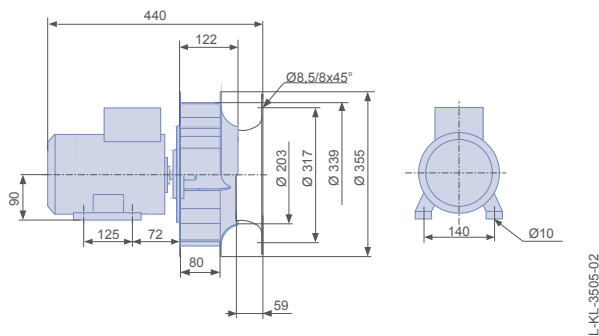
Performance data 50 Hz

| | | | |
|-----------------------|-----------|-------------------|------------------------|
| Rated frequency | f_{max} | Hz | 50 |
| Rated voltage | U_N | V | 400 |
| Motor size | | | 090L |
| Type | | | RH31W-QDN.D7.2R |
| Article no. | | | 172333 |
| Connection | | | Y/YY |
| Motor output power | P_N | kW | 0.18/1.50 |
| Rated current | I_N | A | 0.70/3.60 |
| Speed | n_N | min ⁻¹ | 1475/2890 |
| Weight | | kg | 27.00 |
| Characteristic curves | | | II/I |

Performance data 60 Hz

| | | | |
|-----------------------|-----------|-------------------|------------------------|
| Rated frequency | f_{max} | Hz | 60 |
| Rated voltage | U_N | V | 460 |
| Motor size | | | 100L |
| Type | | | RH31W-QDN.E7.2R |
| Article no. | | | 172353 |
| Connection | | | Y/YY |
| Motor output power | P_N | kW | 0.30/2.40 |
| Rated current | I_N | A | 1.15/5.35 |
| Speed | n_N | min ⁻¹ | 1780/3530 |
| Weight | | kg | 39.00 |
| Characteristic curves | | | IV/III |

Dimensions mm



ZArail

RH31W..3R

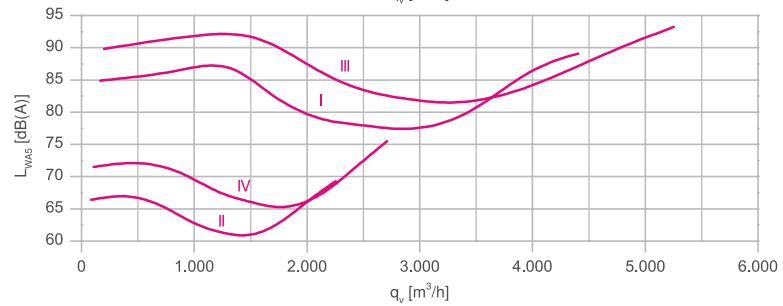
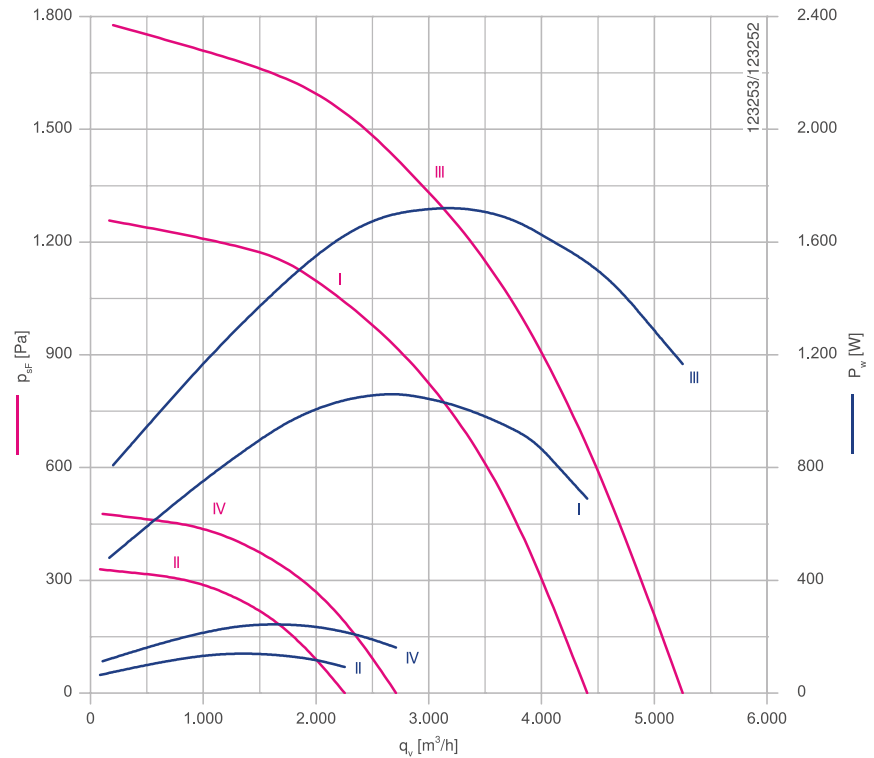
Standard motor



Description

Design: RH*
Design: IMB 3
Installation position: H
Thermal class: THCL155
Degree of protection : IP55
Number of poles: 4-2 pole
Min. permitted ambient temperature $t_{R(min)}$: -30 °C
Max. permitted ambient temperature $t_{R(max)}$: 60 °C
Impeller made of bright sheet metal, powder-coated, ultramarine blue
Inlet ring supplied loosely, powder-coated, RAL 7032 (pebble grey)

Characteristic curve



Measured with inlet ring, without guard grille according to ISO 5801

| | | | |
|--------------------|------------|---------------|----------|
| Inlet ring | 00411853 | RAL 7032 | Page 302 |
| | | (pebble grey) | |
| | | unpainted | |
| Inlet ring | 00411846 | | |
| Connection diagram | 1360-221XA | | Page 328 |
| | KLK | | |



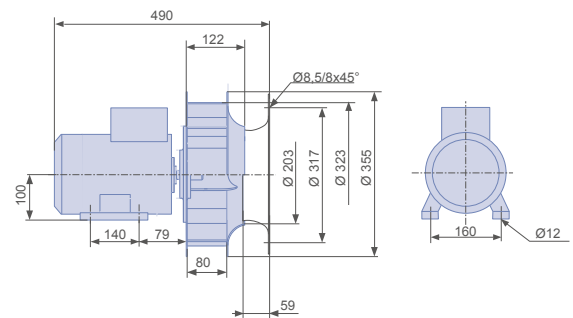
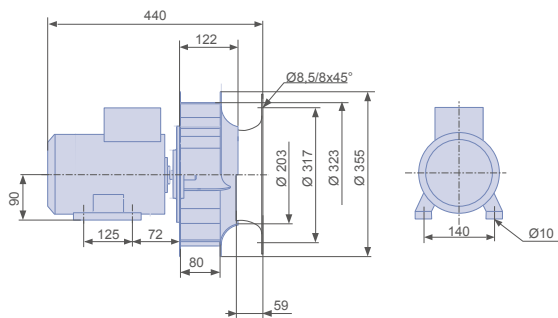
Performance data 50 Hz

| | | | |
|-----------------------|-----------|-------------------|------------------------|
| Rated frequency | f_{max} | Hz | 50 |
| Rated voltage | U_N | V | 400 |
| Motor size | | | 090L |
| Type | | | RH31W-QDN.D7.3R |
| Article no. | | | 172334 |
| Connection | | | Y/YY |
| Motor output power | P_N | kW | 0.15/1.20 |
| Rated current | I_N | A | 0.67/3.20 |
| Speed | n_N | min ⁻¹ | 1480/2910 |
| Weight | | kg | 27.00 |
| Characteristic curves | | | II/I |

Performance data 60 Hz

| | | | |
|-----------------------|-----------|-------------------|------------------------|
| Rated frequency | f_{max} | Hz | 60 |
| Rated voltage | U_N | V | 460 |
| Motor size | | | 100L |
| Type | | | RH31W-QDN.E7.3R |
| Article no. | | | 172354 |
| Connection | | | Y/YY |
| Motor output power | P_N | kW | 0.25/2.00 |
| Rated current | I_N | A | 1.10/4.90 |
| Speed | n_N | min ⁻¹ | 1790/3540 |
| Weight | | kg | 39.00 |
| Characteristic curves | | | IV/III |

Dimensions mm



ZArail

RH31W..4R

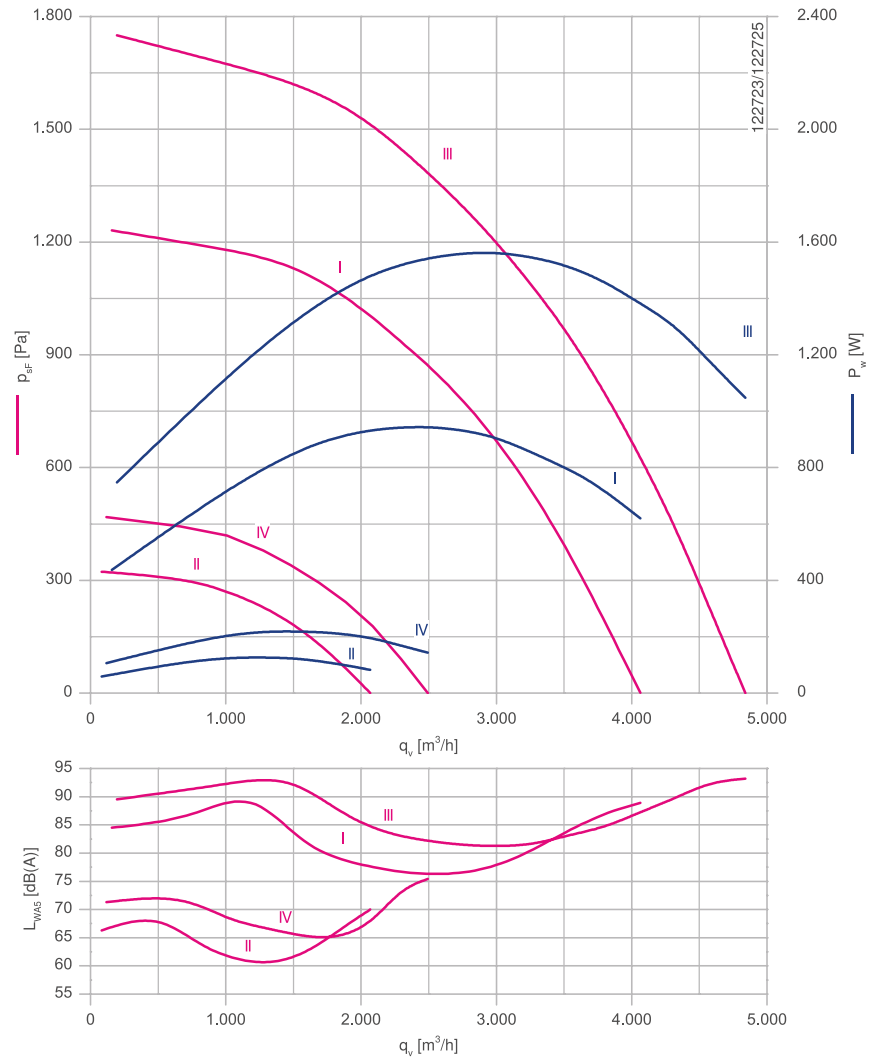
Standard motor



Description

Design: RH*
 Design: IMB 3
 Installation position: H
 Thermal class: THCL155
 Degree of protection : IP55
 Number of poles: 4-2 pole
 Min. permitted ambient temperature $t_{R(min)}$: -30 °C
 Max. permitted ambient temperature $t_{R(max)}$: 60 °C
 Impeller made of bright sheet metal, powder-coated, ultramarine blue
 Inlet ring supplied loosely, powder-coated, RAL 7032 (pebble grey)

Characteristic curve



Measured with inlet ring, without guard grille according to ISO 5801

| | | | |
|--------------------|------------|---------------|----------|
| Inlet ring | 00411853 | RAL 7032 | Page 302 |
| | | (pebble grey) | |
| Inlet ring | 00411846 | unpainted | |
| Connection diagram | 1360-221XA | | Page 328 |
| | KLK | | |



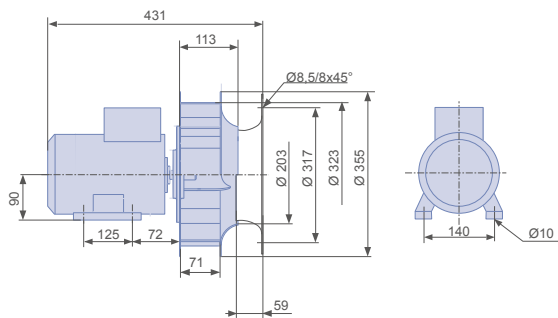
Performance data 50 Hz

| | | | |
|-----------------------|-----------|-------------------|------------------------|
| Rated frequency | f_{max} | Hz | 50 |
| Rated voltage | U_N | V | 400 |
| Motor size | | | 090L |
| Type | | | RH31W-QDN.D7.4R |
| Article no. | | | 172335 |
| Connection | | | Y/YY |
| Motor output power | P_N | kW | 0.15/1.20 |
| Rated current | I_N | A | 0.67/3.20 |
| Speed | n_N | min ⁻¹ | 1480/2910 |
| Weight | | kg | 27.00 |
| Characteristic curves | | | II/I |

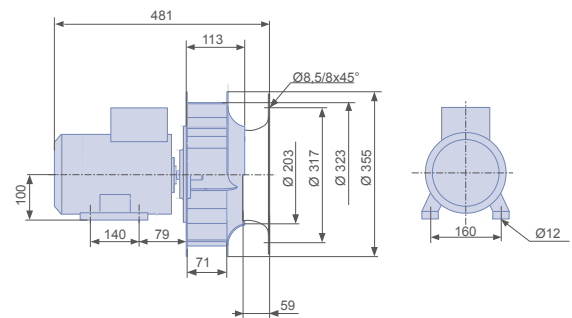
Performance data 60 Hz

| | | | |
|-----------------------|-----------|-------------------|------------------------|
| Rated frequency | f_{max} | Hz | 60 |
| Rated voltage | U_N | V | 460 |
| Motor size | | | 100L |
| Type | | | RH31W-QDN.E7.4R |
| Article no. | | | 172355 |
| Connection | | | Y/YY |
| Motor output power | P_N | kW | 0.25/2.00 |
| Rated current | I_N | A | 1.10/4.90 |
| Speed | n_N | min ⁻¹ | 1790/3540 |
| Weight | | kg | 39.00 |
| Characteristic curves | | | IV/III |

Dimensions mm



L-KL-3505-04



L-KL-3505-24

ZArail

RH35W..1R

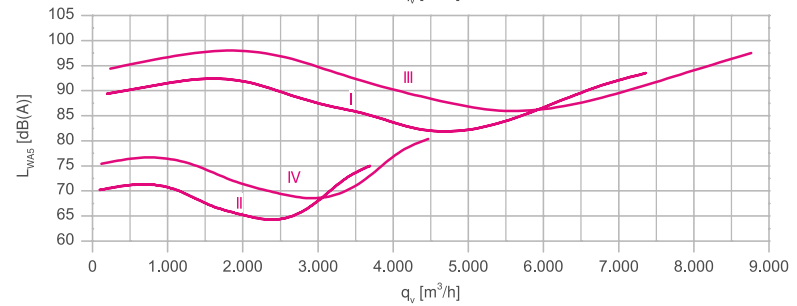
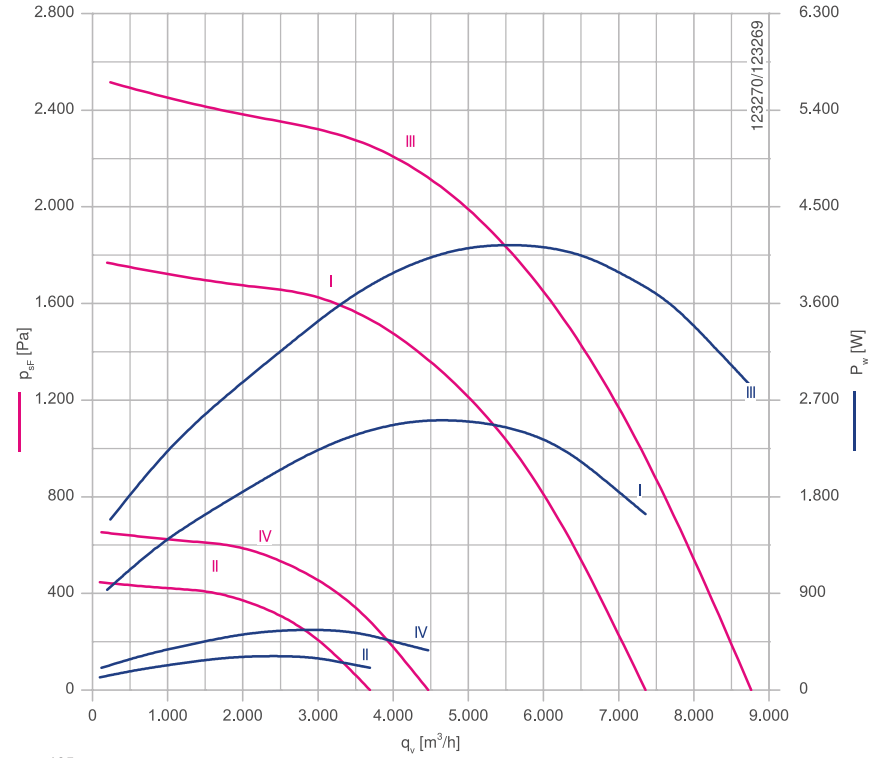
Standard motor



Description

Design: RH*
 Design: IMB 3
 Installation position: H
 Thermal class: THCL155
 Degree of protection : IP55
 Number of poles: 4-2 pole
 Min. permitted ambient temperature $t_{R(min)}$: -30 °C
 Max. permitted ambient temperature $t_{R(max)}$: 60 °C
 Impeller made of bright sheet metal, powder-coated, ultramarine blue
 Inlet ring supplied loosely, powder-coated, RAL 7032 (pebble grey)

Characteristic curve



Measured with inlet ring, without guard grille according to ISO 5801

| | | | |
|--------------------|------------|---------------|----------|
| Inlet ring | 00411854 | RAL 7032 | Page 302 |
| | | (pebble grey) | |
| Inlet ring | 00411847 | unpainted | |
| Connection diagram | 1360-221XA | | Page 328 |
| | KLK | | |



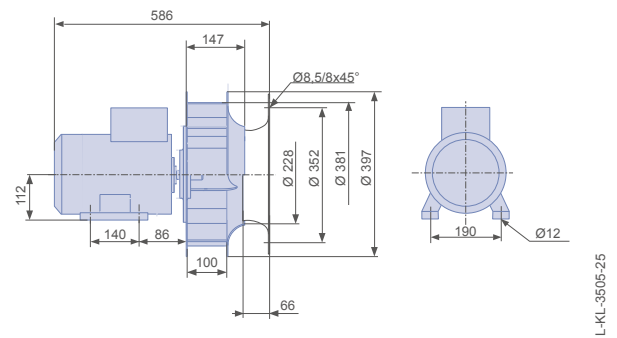
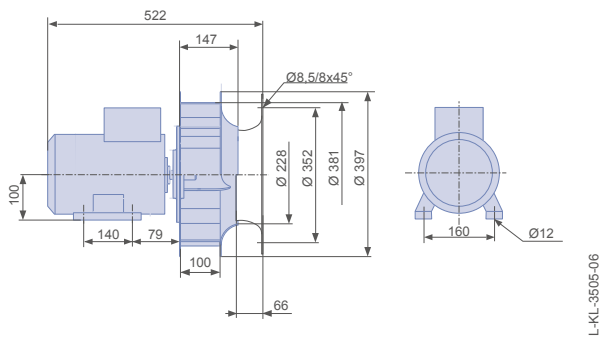
Performance data 50 Hz

| | | | |
|-----------------------|-----------|-------------------|------------------------|
| Rated frequency | f_{max} | Hz | 50 |
| Rated voltage | U_N | V | 400 |
| Motor size | | | 100L |
| Type | | | RH35W-QDN.E7.1R |
| Article no. | | | 172336 |
| Connection | | | Y/YY |
| Motor output power | P_N | kW | 0.40/2.60 |
| Rated current | I_N | A | 1.3/6.1 |
| Speed | n_N | min ⁻¹ | 1480/2920 |
| Weight | | kg | 40.00 |
| Characteristic curves | | | II/I |

Performance data 60 Hz

| | | | |
|-----------------------|-----------|-------------------|------------------------|
| Rated frequency | f_{max} | Hz | 60 |
| Rated voltage | U_N | V | 460 |
| Motor size | | | 112M |
| Type | | | RH35W-QDN.F7.1R |
| Article no. | | | 172356 |
| Connection | | | Y/YY |
| Motor output power | P_N | kW | 0.55/4.30 |
| Rated current | I_N | A | 1.35/7.90 |
| Speed | n_N | min ⁻¹ | 1760/3510 |
| Weight | | kg | 56.00 |
| Characteristic curves | | | IV/III |

Dimensions mm



ZArail

RH35W..2R

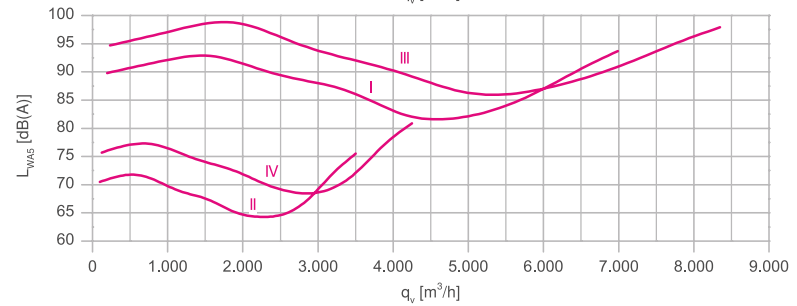
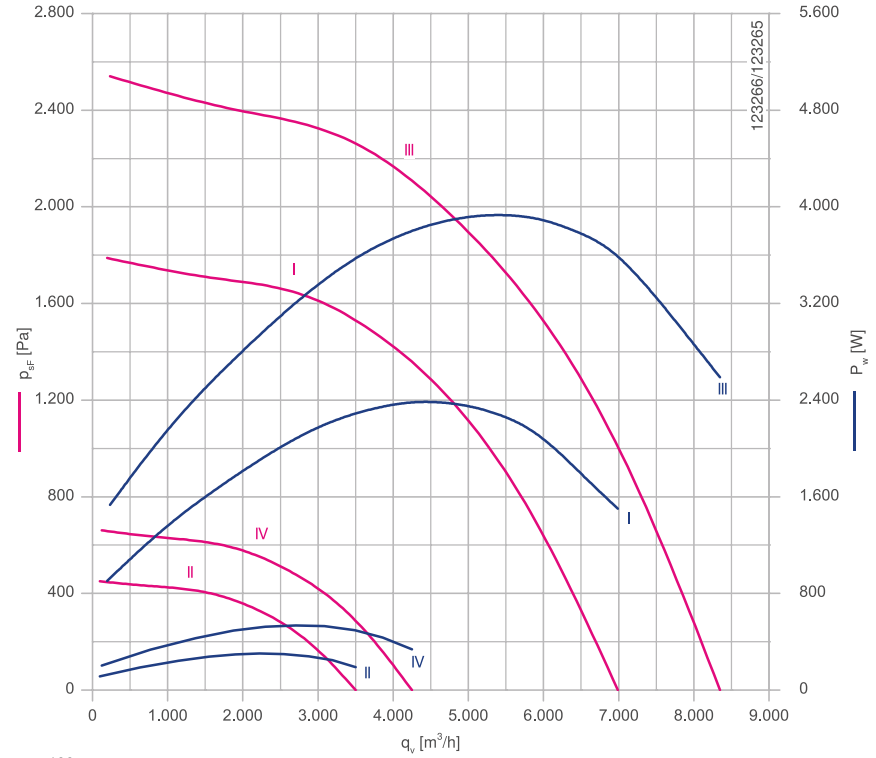
Standard motor



Description

Design: RH*
Design: IMB 3
Installation position: H
Thermal class: THCL155
Degree of protection : IP55
Number of poles: 4-2 pole
Min. permitted ambient temperature $t_{R(\min)}$: -30 °C
Max. permitted ambient temperature $t_{R(\max)}$: 60 °C
Impeller made of bright sheet metal, powder-coated, ultramarine blue
Inlet ring supplied loosely, powder-coated, RAL 7032 (pebble grey)

Characteristic curve



Measured with inlet ring, without guard grille according to ISO 5801

| | | | |
|--------------------|------------|---------------|----------|
| Inlet ring | 00411854 | RAL 7032 | Page 302 |
| | | (pebble grey) | |
| | | unpainted | |
| Inlet ring | 00411847 | | |
| Connection diagram | 1360-221XA | | Page 328 |
| | KLK | | |



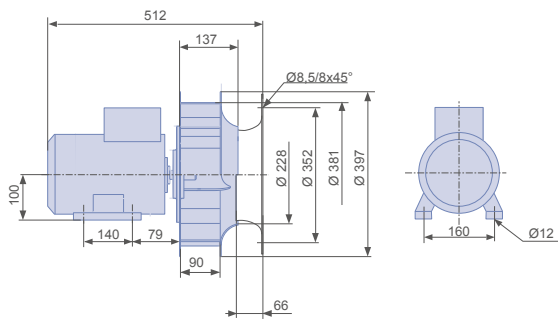
Performance data 50 Hz

| | | | |
|-----------------------|-----------|-------------------|------------------------|
| Rated frequency | f_{max} | Hz | 50 |
| Rated voltage | U_N | V | 400 |
| Motor size | | | 100L |
| Type | | | RH35W-QDN.E7.2R |
| Article no. | | | 172337 |
| Connection | | | Y/YY |
| Motor output power | P_N | kW | 0.40/2.60 |
| Rated current | I_N | A | 1.3/6.1 |
| Speed | n_N | min ⁻¹ | 1480/2920 |
| Weight | | kg | 40.00 |
| Characteristic curves | | | II/I |

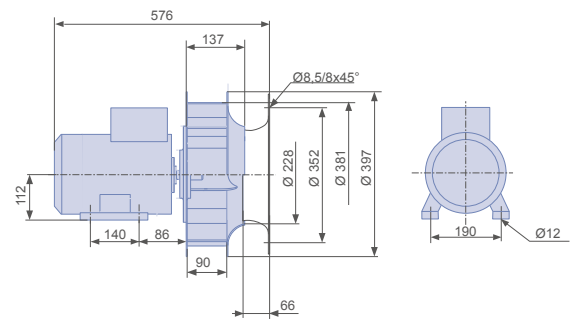
Performance data 60 Hz

| | | | |
|-----------------------|-----------|-------------------|------------------------|
| Rated frequency | f_{max} | Hz | 60 |
| Rated voltage | U_N | V | 460 |
| Motor size | | | 112M |
| Type | | | RH35W-QDN.F7.2R |
| Article no. | | | 172357 |
| Connection | | | Y/YY |
| Motor output power | P_N | kW | 0.55/4.30 |
| Rated current | I_N | A | 1.35/7.90 |
| Speed | n_N | min ⁻¹ | 1760/3510 |
| Weight | | kg | 56.00 |
| Characteristic curves | | | IV/III |

Dimensions mm



L-KL-3505-07



L-KL-3505-26

ZArail

RH35W..3R

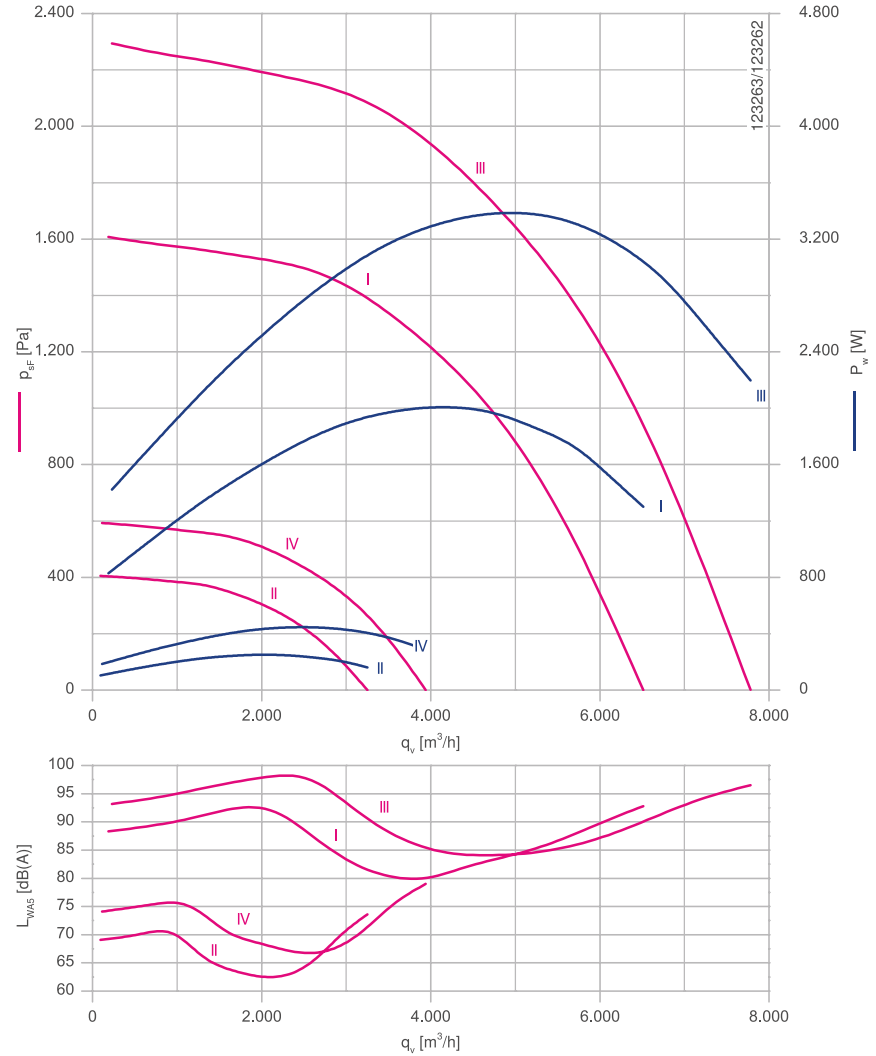
Standard motor



Description

Design: RH*
 Design: IMB 3
 Installation position: H
 Thermal class: THCL155
 Degree of protection : IP55
 Number of poles: 4-2 pole
 Min. permitted ambient temperature $t_{R(min)}$: -30 °C
 Max. permitted ambient temperature $t_{R(max)}$: 60 °C
 Impeller made of bright sheet metal, powder-coated, ultramarine blue
 Inlet ring supplied loosely, powder-coated, RAL 7032 (pebble grey)

Characteristic curve



Measured with inlet ring, without guard grille according to ISO 5801

| | | | |
|--------------------|------------|---------------|----------|
| Inlet ring | 00411854 | RAL 7032 | Page 302 |
| | | (pebble grey) | |
| | | unpainted | |
| Inlet ring | 00411847 | | |
| Connection diagram | 1360-221XA | | Page 328 |
| | KLK | | |



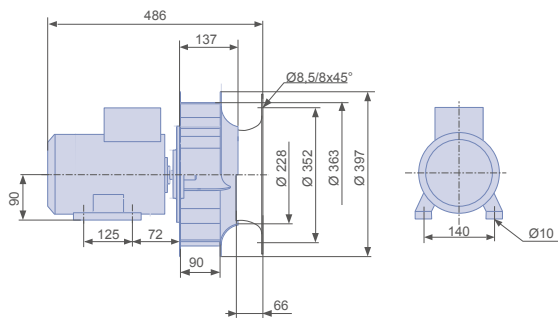
Performance data 50 Hz

| | | | |
|-----------------------|-----------|-------------------|------------------------|
| Rated frequency | f_{max} | Hz | 50 |
| Rated voltage | U_N | V | 400 |
| Motor size | | | 090L |
| Type | | | RH35W-QDN.D7.3R |
| Article no. | | | 172338 |
| Connection | | | Y/YY |
| Motor output power | P_N | kW | 0.30/2.00 |
| Rated current | I_N | A | 1.25/5.50 |
| Speed | n_N | min ⁻¹ | 1485/2940 |
| Weight | | kg | 34.00 |
| Characteristic curves | | | II/I |

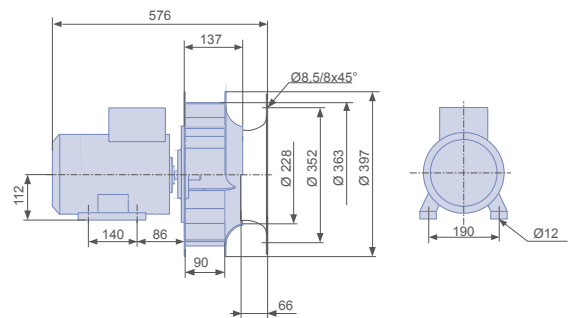
Performance data 60 Hz

| | | | |
|-----------------------|-----------|-------------------|------------------------|
| Rated frequency | f_{max} | Hz | 60 |
| Rated voltage | U_N | V | 460 |
| Motor size | | | 112M |
| Type | | | RH35W-QDN.F7.3R |
| Article no. | | | 172358 |
| Connection | | | Y/YY |
| Motor output power | P_N | kW | 0.45/3.50 |
| Rated current | I_N | A | 1.25/6.90 |
| Speed | n_N | min ⁻¹ | 1770/3530 |
| Weight | | kg | 56.00 |
| Characteristic curves | | | IV/III |

Dimensions mm



L-KL-3505-08



L-KL-3505-27

ZArail

RH35W..4R

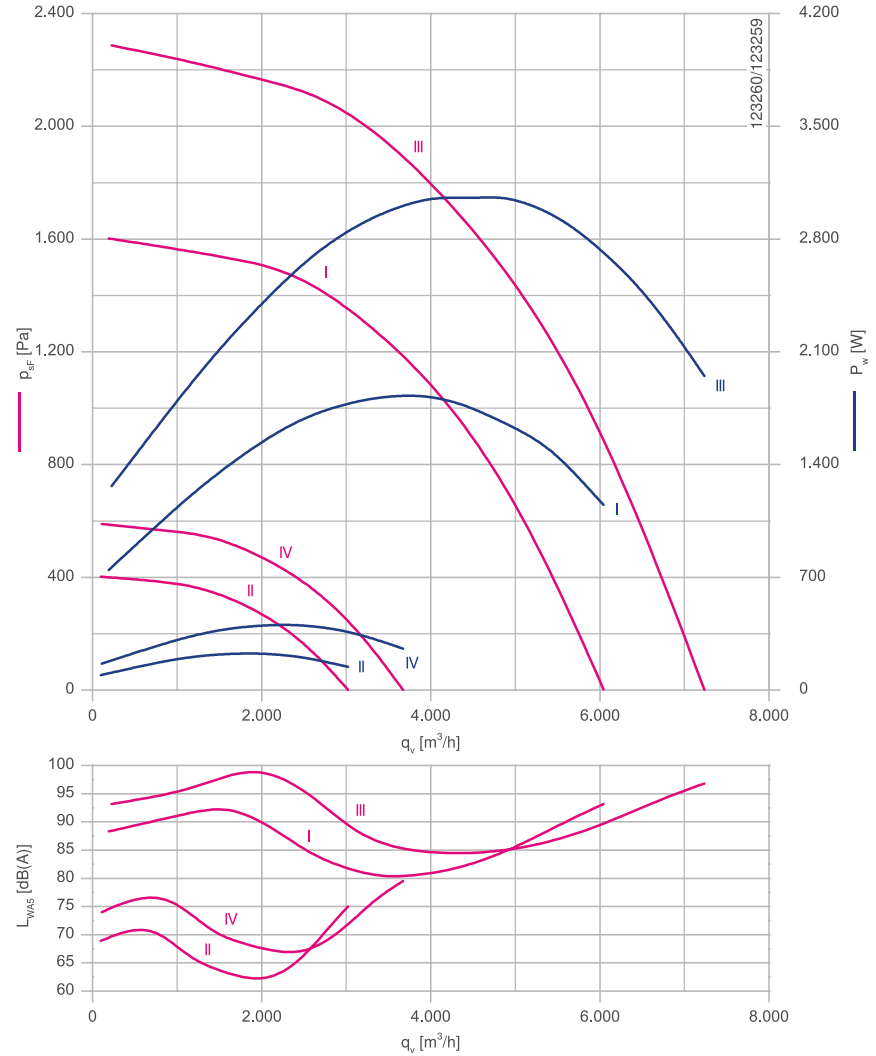
Standard motor



Description

Design: RH*
 Design: IMB 3
 Installation position: H
 Thermal class: THCL155
 Degree of protection : IP55
 Number of poles: 4-2 pole
 Min. permitted ambient temperature $t_{R(min)}$: -30 °C
 Max. permitted ambient temperature $t_{R(max)}$: 60 °C
 Impeller made of bright sheet metal, powder-coated, ultramarine blue
 Inlet ring supplied loosely, powder-coated, RAL 7032 (pebble grey)

Characteristic curve



Measured with inlet ring, without guard grille according to ISO 5801

| | | | |
|--------------------|------------|---------------|----------|
| Inlet ring | 00411854 | RAL 7032 | Page 302 |
| | | (pebble grey) | |
| Inlet ring | 00411847 | unpainted | |
| Connection diagram | 1360-221XA | | Page 328 |
| | KLK | | |



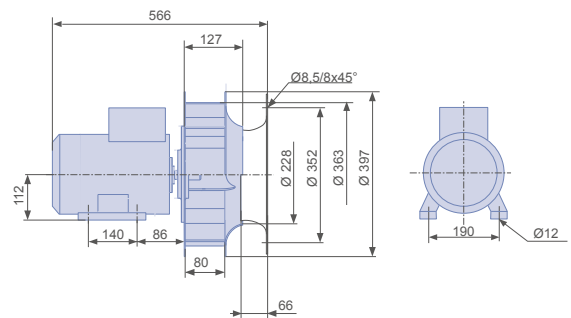
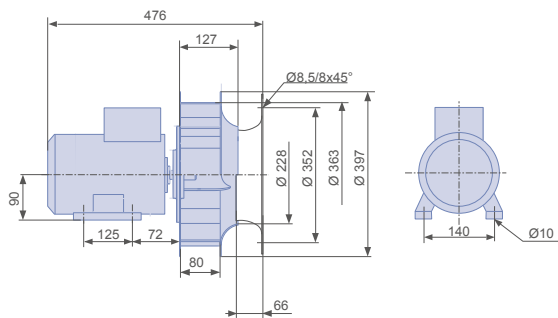
Performance data 50 Hz

| | | | |
|-----------------------|-----------|-------------------|------------------------|
| Rated frequency | f_{max} | Hz | 50 |
| Rated voltage | U_N | V | 400 |
| Motor size | | | 090L |
| Type | | | RH35W-QDN.D7.4R |
| Article no. | | | 172339 |
| Connection | | | Y/YY |
| Motor output power | P_N | kW | 0.30/2.00 |
| Rated current | I_N | A | 1.25/5.50 |
| Speed | n_N | min ⁻¹ | 1485/2940 |
| Weight | | kg | 34.00 |
| Characteristic curves | | | II/I |

Performance data 60 Hz

| | | | |
|-----------------------|-----------|-------------------|------------------------|
| Rated frequency | f_{max} | Hz | 60 |
| Rated voltage | U_N | V | 460 |
| Motor size | | | 112M |
| Type | | | RH35W-QDN.F7.4R |
| Article no. | | | 172359 |
| Connection | | | Y/YY |
| Motor output power | P_N | kW | 0.45/3.50 |
| Rated current | I_N | A | 1.25/6.90 |
| Speed | n_N | min ⁻¹ | 1770/3530 |
| Weight | | kg | 56.00 |
| Characteristic curves | | | IV/III |

Dimensions mm



ZArail

RH40W..1R

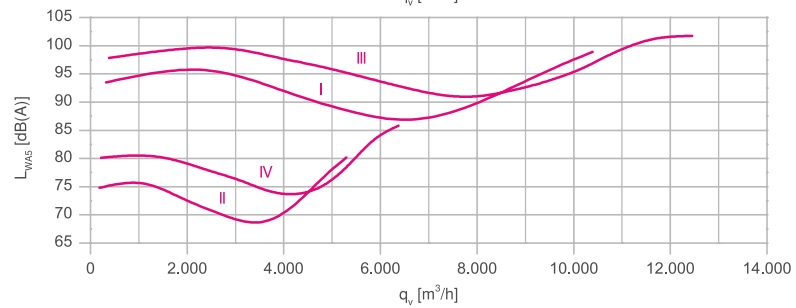
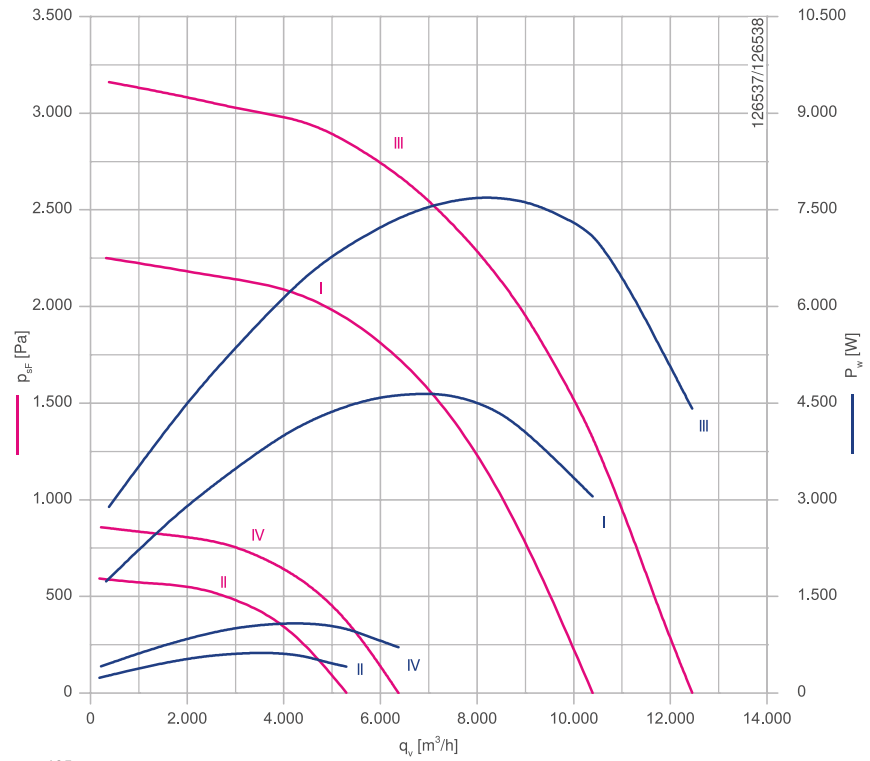
Standard motor



Description

Design: RH*
 Design: IMB 3
 Installation position: H
 Thermal class: THCL155
 Degree of protection : IP55
 Number of poles: 4-2 pole
 Min. permitted ambient temperature $t_{R(min)}$: -30 °C
 Max. permitted ambient temperature $t_{R(max)}$: 60 °C
 Impeller made of bright sheet metal, powder-coated, ultramarine blue
 Inlet ring supplied loosely, powder-coated, RAL 7032 (pebble grey)

Characteristic curve



Measured with inlet ring, without guard grille according to ISO 5801

| | | | |
|--------------------|------------|---------------|----------|
| Inlet ring | 00411855 | RAL 7032 | Page 302 |
| | | (pebble grey) | |
| Inlet ring | 00411848 | unpainted | |
| Connection diagram | 1360-221XA | | Page 328 |
| | KLK | | |



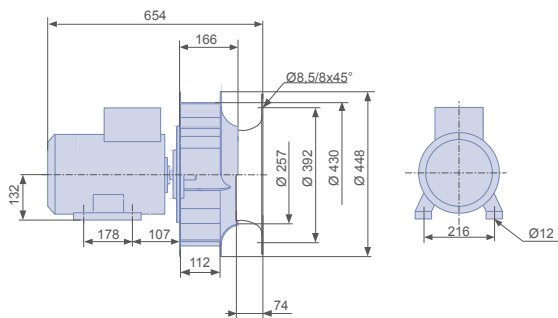
Performance data 50 Hz

| | | | |
|-----------------------|-----------|-------------------|------------------------|
| Rated frequency | f_{max} | Hz | 50 |
| Rated voltage | U_N | V | 400 |
| Motor size | | | 132M |
| Type | | | RH40W-QDN.H7.1R |
| Article no. | | | 172340 |
| Connection | | | Y/YY |
| Motor output power | P_N | kW | 1.30/4.90 |
| Rated current | I_N | A | 2.70/10.80 |
| Speed | n_N | min ⁻¹ | 1460/2900 |
| Weight | | kg | 90.00 |
| Characteristic curves | | | II/I |

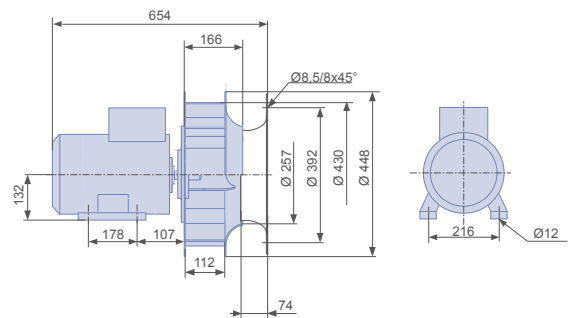
Performance data 60 Hz

| | | | |
|-----------------------|-----------|-------------------|------------------------|
| Rated frequency | f_{max} | Hz | 50 |
| Rated voltage | U_N | V | 460 |
| Motor size | | | 132M |
| Type | | | RH40W-QDN.H7.1R |
| Article no. | | | 172360 |
| Connection | | | Y/YY |
| Motor output power | P_N | kW | 2.20/8.20 |
| Rated current | I_N | A | 4.50/15.50 |
| Speed | n_N | min ⁻¹ | 1750/3480 |
| Weight | | kg | 89.00 |
| Characteristic curves | | | IV/III |

Dimensions mm



L-KL-3505-10



L-KL-3505-29

ZArail

RH40W..2R

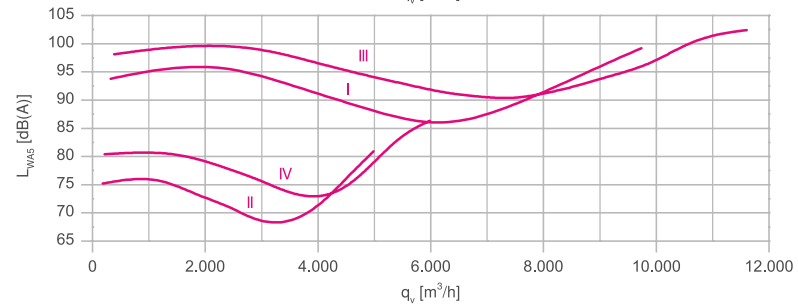
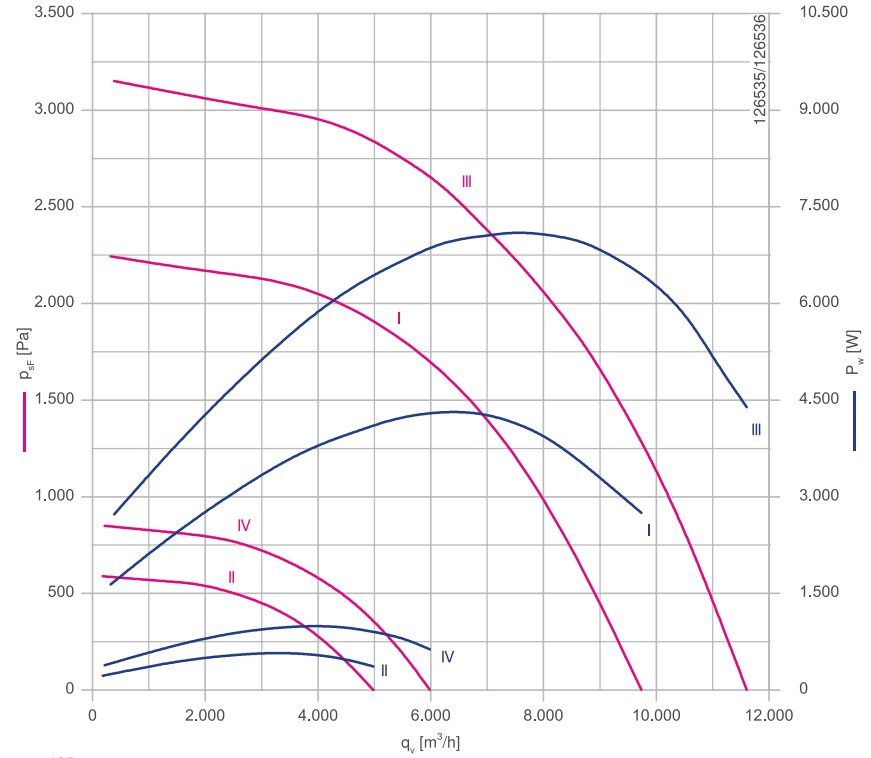
Standard motor



Description

Design: RH*
 Design: IMB 3
 Installation position: H
 Thermal class: THCL155
 Degree of protection : IP55
 Number of poles: 4-2 pole
 Min. permitted ambient temperature $t_{R(min)}$: -30 °C
 Max. permitted ambient temperature $t_{R(max)}$: 60 °C
 Impeller made of bright sheet metal, powder-coated, ultramarine blue
 Inlet ring supplied loosely, powder-coated, RAL 7032 (pebble grey)

Characteristic curve



Measured with inlet ring, without guard grille according to ISO 5801

| | | | |
|--------------------|------------|---------------|----------|
| Inlet ring | 00411855 | RAL 7032 | Page 302 |
| | | (pebble grey) | |
| Inlet ring | 00411848 | unpainted | |
| Connection diagram | 1360-221XA | | Page 328 |
| | KLK | | |



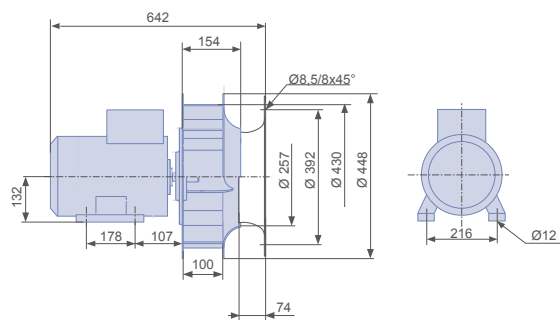
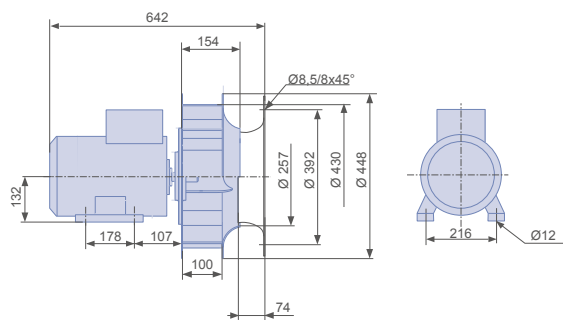
Performance data 50 Hz

| | | | |
|-----------------------|-----------|-------------------|------------------------|
| Rated frequency | f_{max} | Hz | 50 |
| Rated voltage | U_N | V | 400 |
| Motor size | | | 132M |
| Type | | | RH40W-QDN.H7.2R |
| Article no. | | | 172341 |
| Connection | | | Y/YY |
| Motor output power | P_N | kW | 1.30/4.90 |
| Rated current | I_N | A | 2.70/10.80 |
| Speed | n_N | min ⁻¹ | 1460/2900 |
| Weight | | kg | 89.00 |
| Characteristic curves | | | II/I |

Performance data 60 Hz

| | | | |
|-----------------------|-----------|-------------------|------------------------|
| Rated frequency | f_{max} | Hz | 50 |
| Rated voltage | U_N | V | 460 |
| Motor size | | | 132M |
| Type | | | RH40W-QDN.H7.2R |
| Article no. | | | 172361 |
| Connection | | | Y/YY |
| Motor output power | P_N | kW | 2.20/8.20 |
| Rated current | I_N | A | 4.50/15.50 |
| Speed | n_N | min ⁻¹ | 1750/3480 |
| Weight | | kg | 88.00 |
| Characteristic curves | | | IV/III |

Dimensions mm



ZArail

RH40W..3R

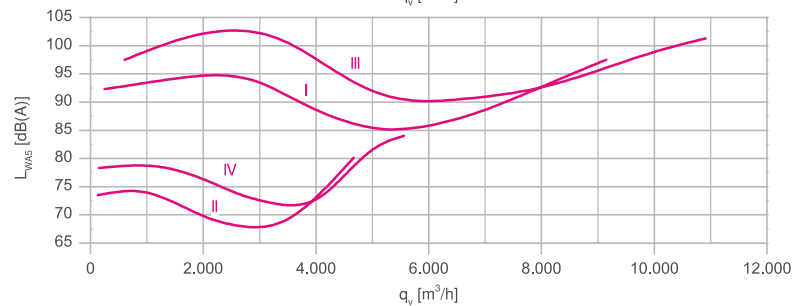
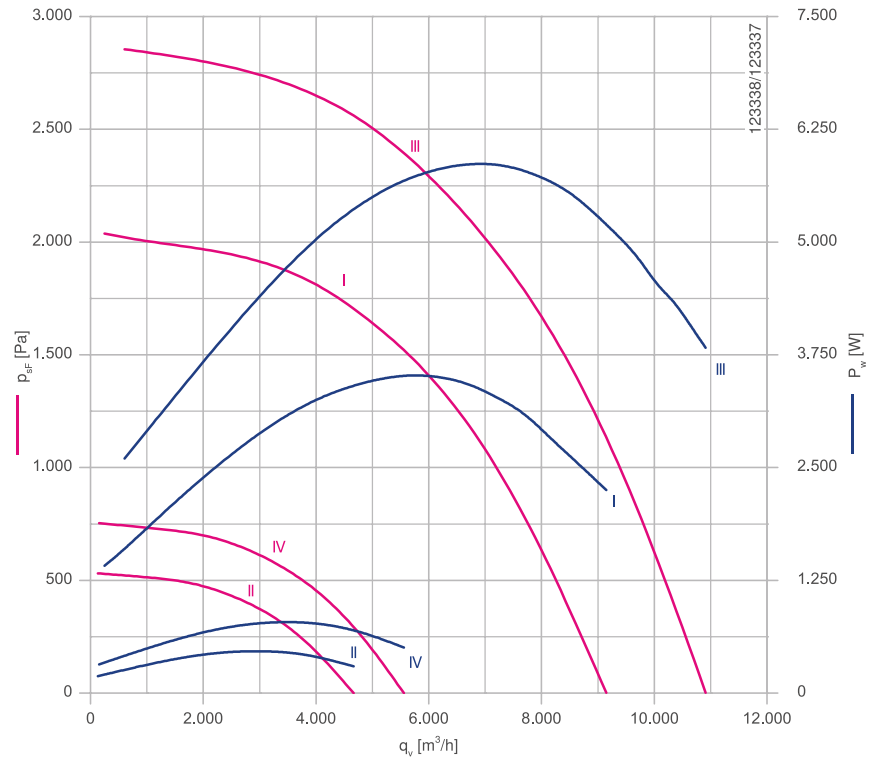
Standard motor



Description

Design: RH*
Design: IMB 3
Installation position: H
Thermal class: THCL155
Degree of protection : IP55
Number of poles: 4-2 pole
Min. permitted ambient temperature $t_{R(min)}$: -30 °C
Max. permitted ambient temperature $t_{R(max)}$: 60 °C
Impeller made of bright sheet metal, powder-coated, ultramarine blue
Inlet ring supplied loosely, powder-coated, RAL 7032 (pebble grey)

Characteristic curve



Measured with inlet ring, without guard grille according to ISO 5801

| | | | |
|--------------------|------------|---------------|----------|
| Inlet ring | 00411855 | RAL 7032 | Page 302 |
| | | (pebble grey) | |
| Inlet ring | 00411848 | unpainted | |
| Connection diagram | 1360-221XA | | Page 328 |
| | KLK | | |



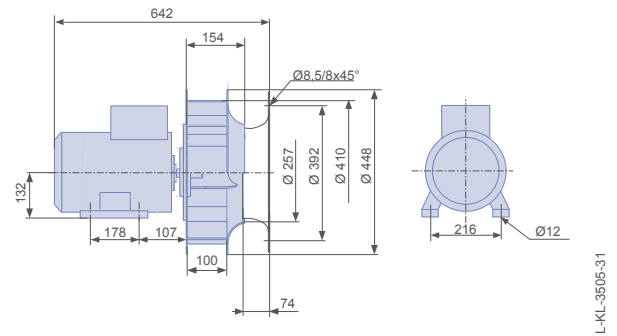
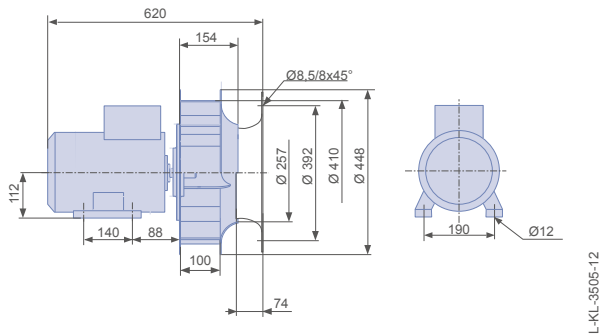
Performance data 50 Hz

| | | | |
|-----------------------|-----------|-------------------|------------------------|
| Rated frequency | f_{max} | Hz | 50 |
| Rated voltage | U_N | V | 400 |
| Motor size | | | 112M |
| Type | | | RH40W-QDN.F7.3R |
| Article no. | | | 172342 |
| Connection | | | Y/YY |
| Motor output power | P_N | kW | 1.00/3.90 |
| Rated current | I_N | A | 2.00/7.90 |
| Speed | n_N | min ⁻¹ | 1450/2870 |
| Weight | | kg | 76.00 |
| Characteristic curves | | | II/I |

Performance data 60 Hz

| | | | |
|-----------------------|-----------|-------------------|------------------------|
| Rated frequency | f_{max} | Hz | 60 |
| Rated voltage | U_N | V | 460 |
| Motor size | | | 132M |
| Type | | | RH40W-QDN.H7.3R |
| Article no. | | | 172362 |
| Connection | | | Y/YY |
| Motor output power | P_N | kW | 1.80/6.50 |
| Rated current | I_N | A | 3.70/12.60 |
| Speed | n_N | min ⁻¹ | 1740/3470 |
| Weight | | kg | 88.00 |
| Characteristic curves | | | IV/III |

Dimensions mm



ZArail

RH40W..4R

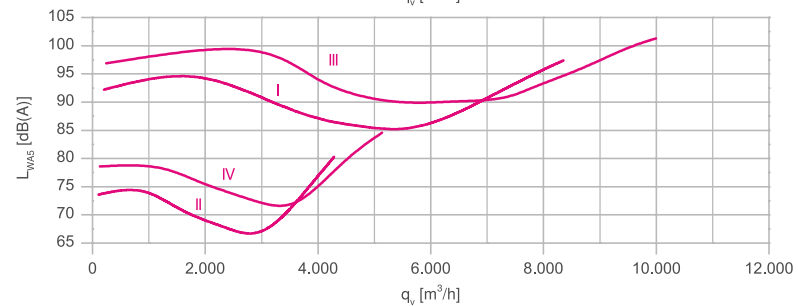
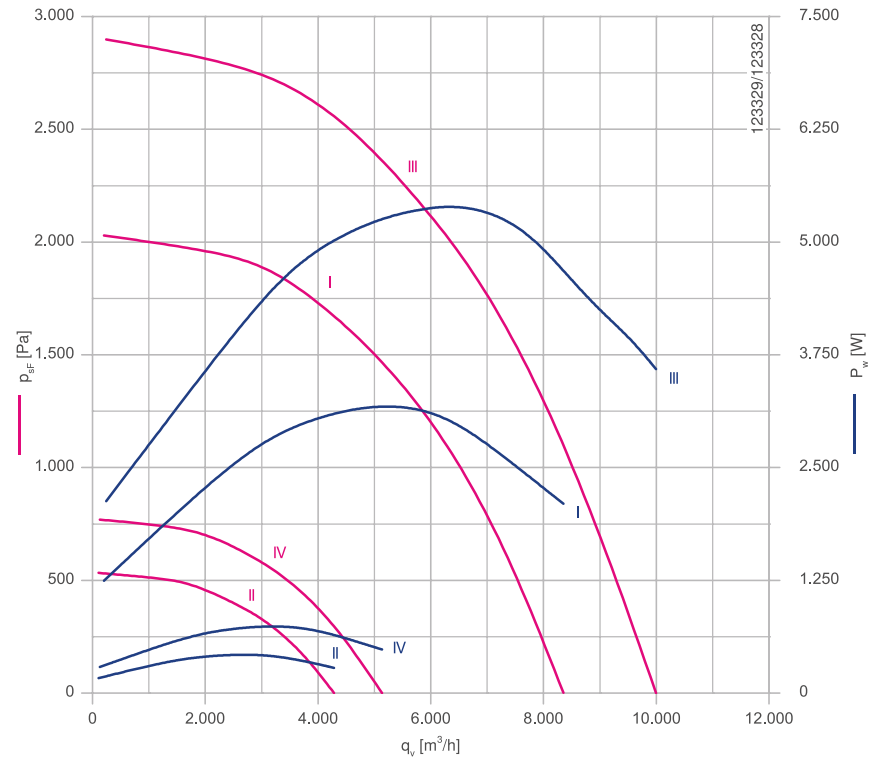
Standard motor



Description

Design: RH*
 Design: IMB 3
 Installation position: H
 Thermal class: THCL155
 Degree of protection : IP55
 Number of poles: 4-2 pole
 Min. permitted ambient temperature $t_{R(min)}$: -30 °C
 Max. permitted ambient temperature $t_{R(max)}$: 60 °C
 Impeller made of bright sheet metal, powder-coated, ultramarine blue
 Inlet ring supplied loosely, powder-coated, RAL 7032 (pebble grey)

Characteristic curve



Measured with inlet ring, without guard grille according to ISO 5801

| | | | |
|--------------------|------------|---------------|----------|
| Inlet ring | 00411855 | RAL 7032 | Page 302 |
| | | (pebble grey) | |
| Inlet ring | 00411848 | unpainted | |
| Connection diagram | 1360-221XA | | Page 328 |
| | KLK | | |



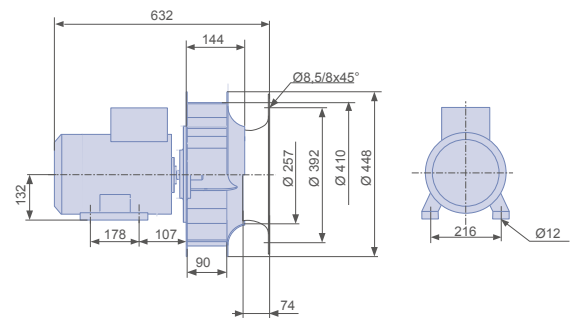
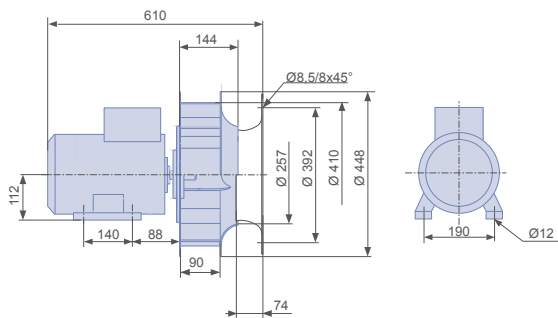
Performance data 50 Hz

| | | | |
|-----------------------|-----------|-------------------|------------------------|
| Rated frequency | f_{max} | Hz | 50 |
| Rated voltage | U_N | V | 400 |
| Motor size | | | 112M |
| Type | | | RH40W-QDN.F7.4R |
| Article no. | | | 172343 |
| Connection | | | Y/YY |
| Motor output power | P_N | kW | 1.00/3.90 |
| Rated current | I_N | A | 2.00/7.90 |
| Speed | n_N | min ⁻¹ | 1450/2870 |
| Weight | | kg | 75.00 |
| Characteristic curves | | | II/I |

Performance data 60 Hz

| | | | |
|-----------------------|-----------|-------------------|------------------------|
| Rated frequency | f_{max} | Hz | 60 |
| Rated voltage | U_N | V | 460 |
| Motor size | | | 132M |
| Type | | | RH40W-QDN.H7.4R |
| Article no. | | | 172363 |
| Connection | | | Y/YY |
| Motor output power | P_N | kW | 1.80/6.50 |
| Rated current | I_N | A | 3.70/12.60 |
| Speed | n_N | min ⁻¹ | 1740/3470 |
| Weight | | kg | 87.00 |
| Characteristic curves | | | IV/III |

Dimensions mm



ZArail

RH45W..1R

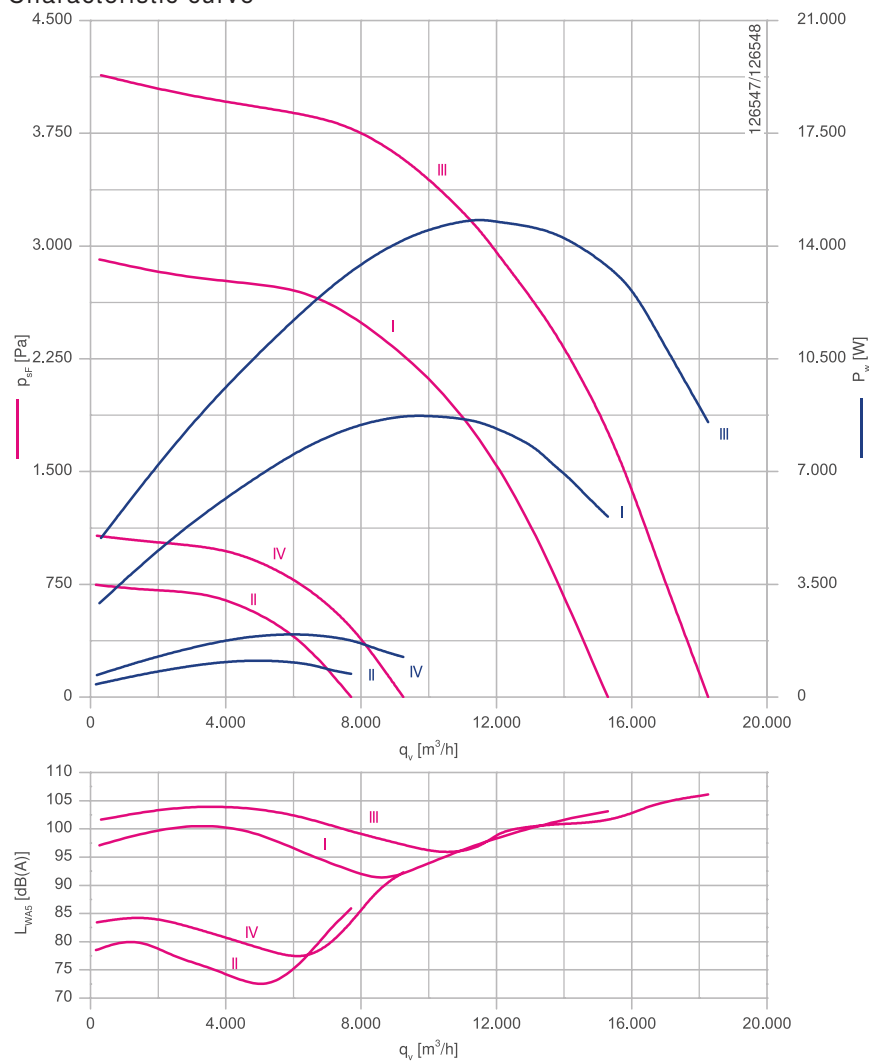
Standard motor



Description

Design: RH*
Design: IMB 3
Installation position: H
Thermal class: THCL155
Degree of protection : IP55
Number of poles: 4-2 pole
Min. permitted ambient temperature $t_{R(min)}$: -30 °C
Max. permitted ambient temperature $t_{R(max)}$: 60 °C
Impeller made of bright sheet metal, powder-coated, ultramarine blue
Inlet ring supplied loosely, powder-coated, RAL 7032 (pebble grey)

Characteristic curve



Measured with inlet ring, without guard grille according to ISO 5801

Inlet ring 00411856 RAL 7032 Page 302

(pebble grey)
unpainted

Inlet ring 00411849
Connection diagram 1360-221XA
KLK

Page 328



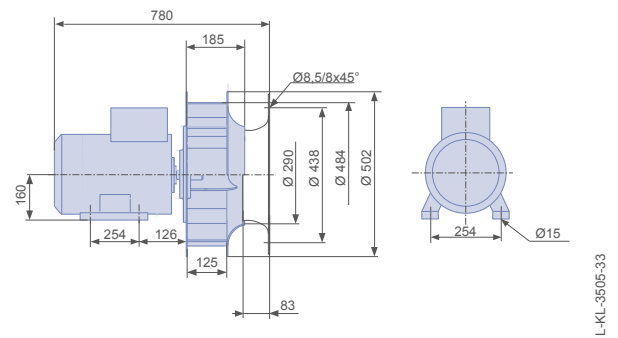
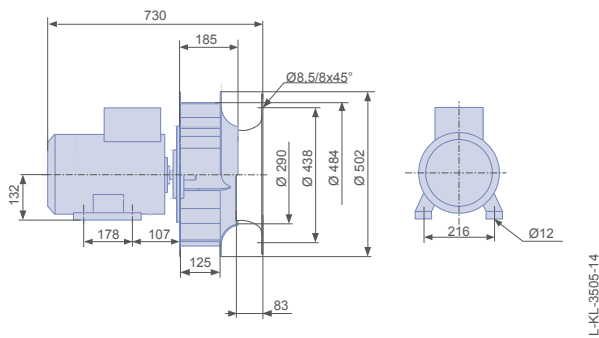
Performance data 50 Hz

| | | | |
|-----------------------|-----------|-------------------|------------------------|
| Rated frequency | f_{max} | Hz | 50 |
| Rated voltage | U_N | V | 400 |
| Motor size | | | 132M |
| Type | | | RH45W-QDN.H7.1R |
| Article no. | | | 172344 |
| Connection | | | Y/YY |
| Motor output power | P_N | kW | 2.50/8.90 |
| Rated current | I_N | A | 4.90/17.60 |
| Speed | n_N | min ⁻¹ | 1450/2890 |
| Weight | | kg | 115.00 |
| Characteristic curves | | | II/I |

Performance data 60 Hz

| | | | |
|-----------------------|-----------|-------------------|------------------------|
| Rated frequency | f_{max} | Hz | 60 |
| Rated voltage | U_N | V | 460 |
| Motor size | | | 160L |
| Type | | | RH45W-QDN.K7.1R |
| Article no. | | | 172364 |
| Connection | | | Y/YY |
| Motor output power | P_N | kW | 4.00/15.00 |
| Rated current | I_N | A | 7.30/24.60 |
| Speed | n_N | min ⁻¹ | 1750/3500 |
| Weight | | kg | 143.00 |
| Characteristic curves | | | IV/III |

Dimensions mm



ZArail

RH45W..2R

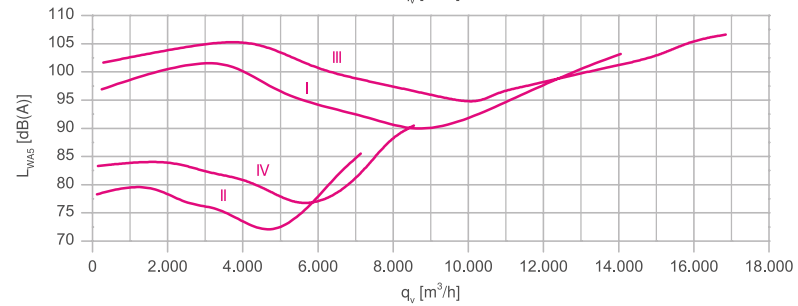
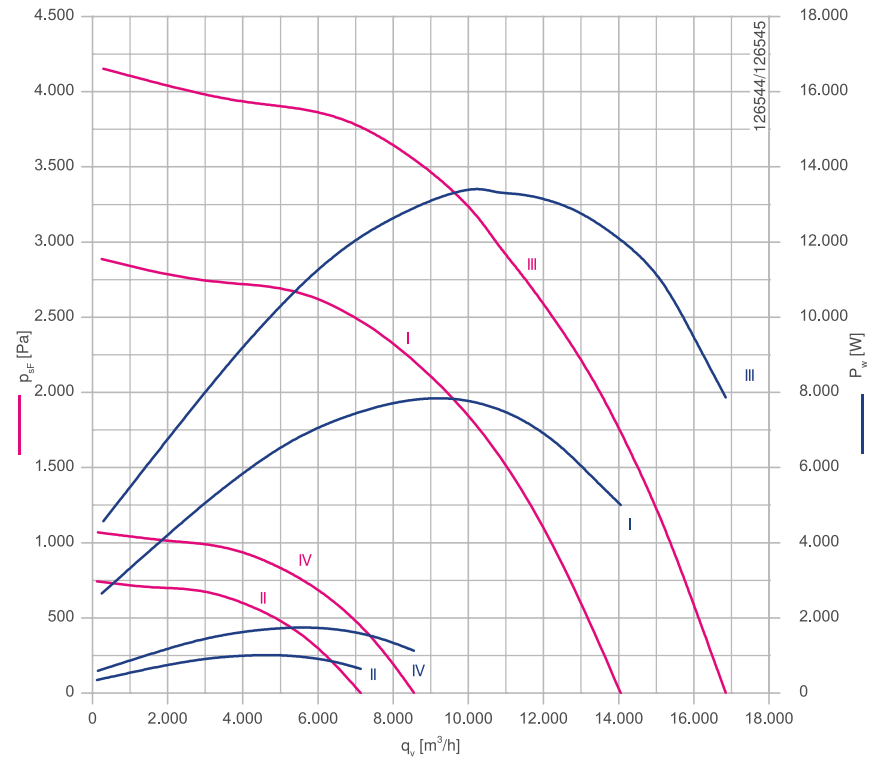
Standard motor



Description

Design: RH*
 Design: IMB 3
 Installation position: H
 Thermal class: THCL155
 Degree of protection : IP55
 Number of poles: 4-2 pole
 Min. permitted ambient temperature $t_{R(min)}$: -30 °C
 Max. permitted ambient temperature $t_{R(max)}$: 60 °C
 Impeller made of bright sheet metal, powder-coated, ultramarine blue
 Inlet ring supplied loosely, powder-coated, RAL 7032 (pebble grey)

Characteristic curve



Measured with inlet ring, without guard grille according to ISO 5801

| | | | |
|--------------------|------------|---------------|----------|
| Inlet ring | 00411856 | RAL 7032 | Page 302 |
| | | (pebble grey) | |
| Inlet ring | 00411849 | unpainted | |
| Connection diagram | 1360-221XA | | Page 328 |
| | KLK | | |



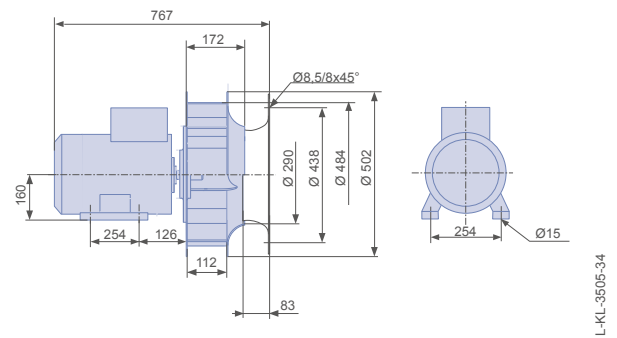
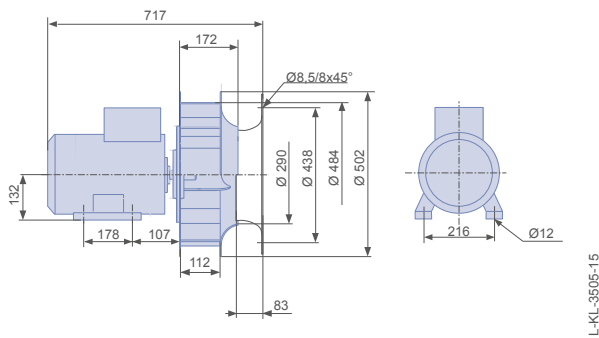
Performance data 50 Hz

| | | | |
|-----------------------|-----------|-------------------|------------------------|
| Rated frequency | f_{max} | Hz | 50 |
| Rated voltage | U_N | V | 400 |
| Motor size | | | 132M |
| Type | | | RH45W-QDN.H7.2R |
| Article no. | | | 172345 |
| Connection | | | Y/YY |
| Motor output power | P_N | kW | 2.50/8.90 |
| Rated current | I_N | A | 4.90/17.60 |
| Speed | n_N | min ⁻¹ | 1450/2890 |
| Weight | | kg | 115.00 |
| Characteristic curves | | | II/I |

Performance data 60 Hz

| | | | |
|-----------------------|-----------|-------------------|------------------------|
| Rated frequency | f_{max} | Hz | 60 |
| Rated voltage | U_N | V | 460 |
| Motor size | | | 160L |
| Type | | | RH45W-QDN.K7.2R |
| Article no. | | | 172365 |
| Connection | | | Y/YY |
| Motor output power | P_N | kW | 4.00/15.00 |
| Rated current | I_N | A | 7.30/24.60 |
| Speed | n_N | min ⁻¹ | 1750/3500 |
| Weight | | kg | 143.00 |
| Characteristic curves | | | IV/III |

Dimensions mm



ZArail

RH45W..3R

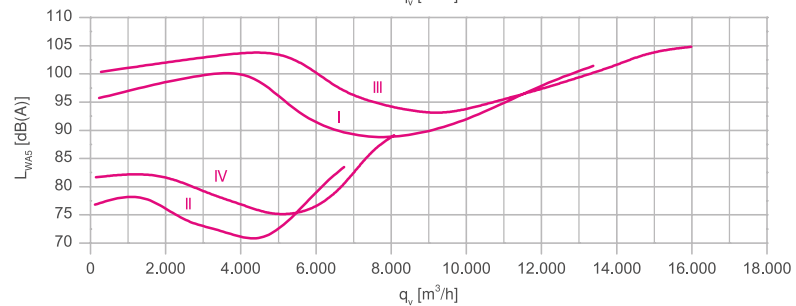
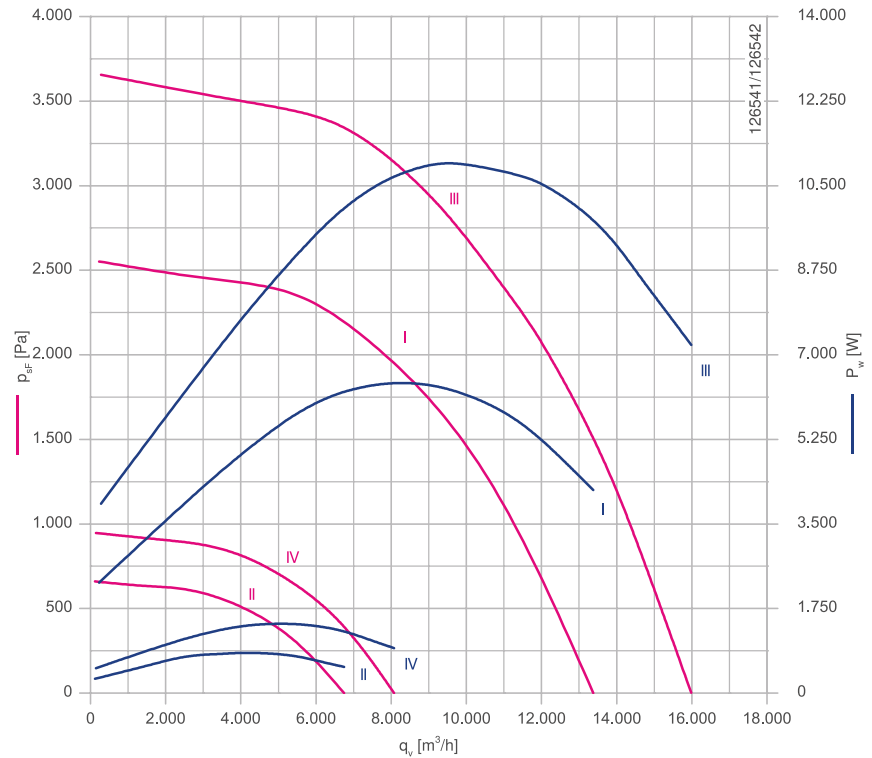
Standard motor



Description

Design: RH*
 Design: IMB 3
 Installation position: H
 Thermal class: THCL155
 Degree of protection : IP55
 Number of poles: 4-2 pole
 Min. permitted ambient temperature $t_{R(min)}$: -30 °C
 Max. permitted ambient temperature $t_{R(max)}$: 60 °C
 Impeller made of bright sheet metal, powder-coated, ultramarine blue
 Inlet ring supplied loosely, powder-coated, RAL 7032 (pebble grey)

Characteristic curve



Measured with inlet ring, without guard grille according to ISO 5801

| | | | |
|--------------------|------------|---------------|----------|
| Inlet ring | 00411856 | RAL 7032 | Page 302 |
| | | (pebble grey) | |
| Inlet ring | 00411849 | unpainted | |
| Connection diagram | 1360-221XA | | Page 328 |
| | KLK | | |



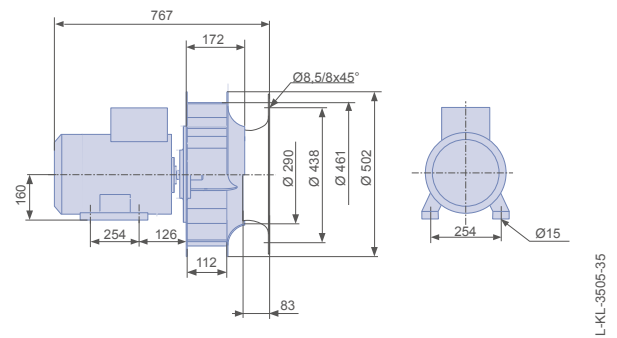
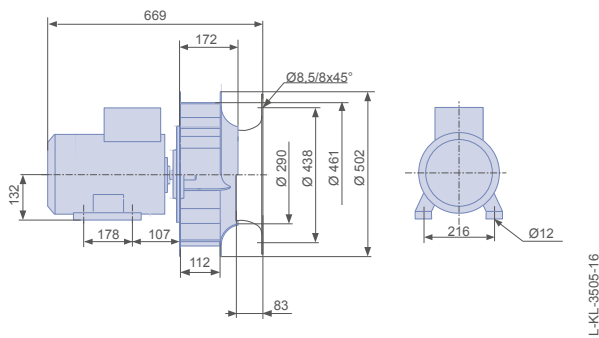
Performance data 50 Hz

| | | | |
|-----------------------|-----------|-------------------|------------------------|
| Rated frequency | f_{max} | Hz | 50 |
| Rated voltage | U_N | V | 400 |
| Motor size | | | 132M |
| Type | | | RH45W-QDN.H7.3R |
| Article no. | | | 172346 |
| Connection | | | Y/YY |
| Motor output power | P_N | kW | 1.90/6.90 |
| Rated current | I_N | A | 3.80/14.90 |
| Speed | n_N | min ⁻¹ | 1460/2900 |
| Weight | | kg | 92.00 |
| Characteristic curves | | | II/I |

Performance data 60 Hz

| | | | |
|-----------------------|-----------|-------------------|------------------------|
| Rated frequency | f_{max} | Hz | 60 |
| Rated voltage | U_N | V | 460 |
| Motor size | | | 160L |
| Type | | | RH45W-QDN.K7.3R |
| Article no. | | | 172366 |
| Connection | | | Y/YY |
| Motor output power | P_N | kW | 3.30/12.00 |
| Rated current | I_N | A | 6.10/19.90 |
| Speed | n_N | min ⁻¹ | 1740/3490 |
| Weight | | kg | 142.00 |
| Characteristic curves | | | IV/III |

Dimensions mm



ZArail

RH45W..4R

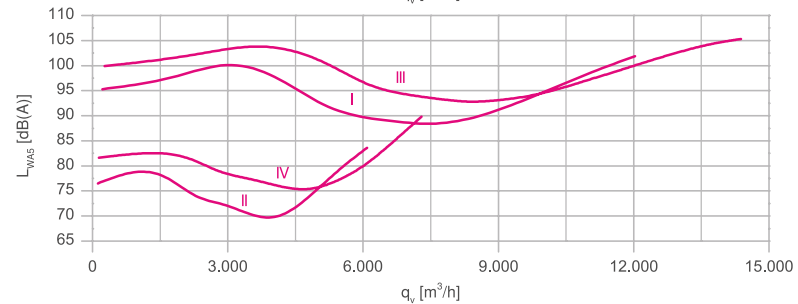
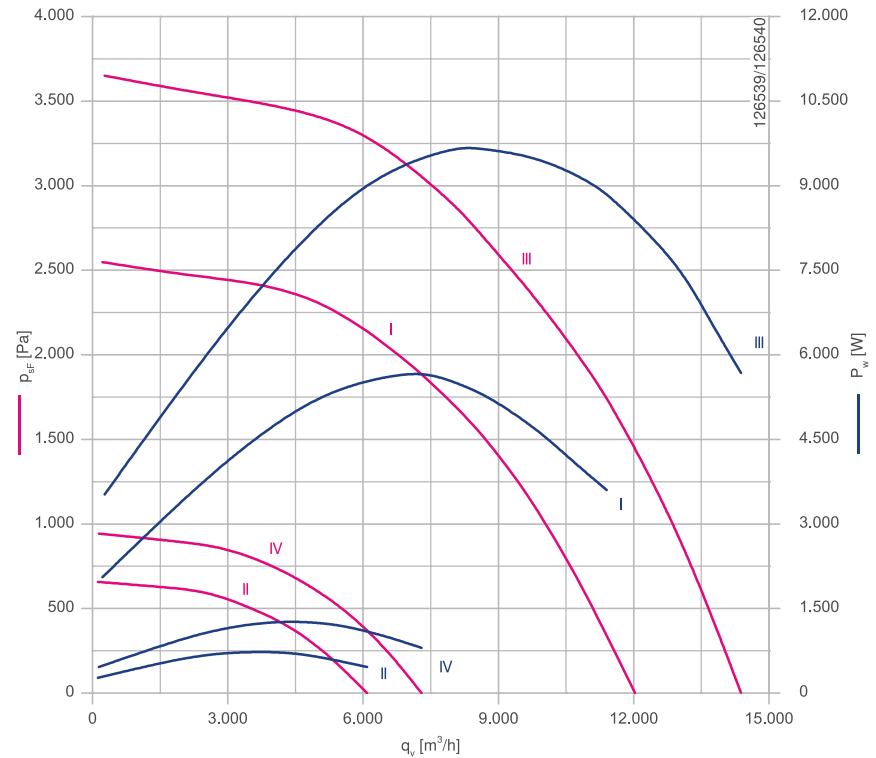
Standard motor



Description

Design: RH*
 Design: IMB 3
 Installation position: H
 Thermal class: THCL155
 Degree of protection : IP55
 Number of poles: 4-2 pole
 Min. permitted ambient temperature $t_{R(min)}$: -30 °C
 Max. permitted ambient temperature $t_{R(max)}$: 60 °C
 Impeller made of bright sheet metal, powder-coated, ultramarine blue
 Inlet ring supplied loosely, powder-coated, RAL 7032 (pebble grey)

Characteristic curve



Measured with inlet ring, without guard grille according to ISO 5801

| | | | |
|--------------------|------------|---------------|----------|
| Inlet ring | 00411856 | RAL 7032 | Page 302 |
| | | (pebble grey) | |
| Inlet ring | 00411849 | unpainted | |
| Connection diagram | 1360-221XA | | Page 328 |
| | KLK | | |



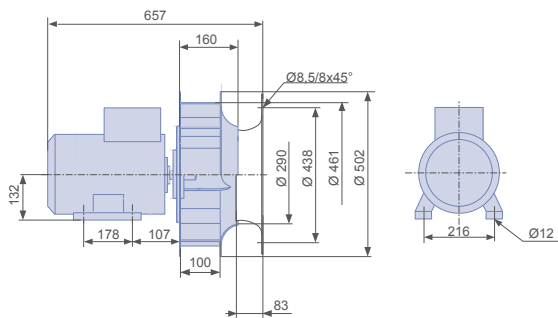
Performance data 50 Hz

| | | | |
|-----------------------|-----------|-------------------|------------------------|
| Rated frequency | f_{max} | Hz | 50 |
| Rated voltage | U_N | V | 400 |
| Motor size | | | 132M |
| Type | | | RH45W-QDN.H7.4R |
| Article no. | | | 172347 |
| Connection | | | Y/YY |
| Motor output power | P_N | kW | 1.90/6.90 |
| Rated current | I_N | A | 3.80/14.90 |
| Speed | n_N | min ⁻¹ | 1460/2900 |
| Weight | | kg | 92.00 |
| Characteristic curves | | | II/I |

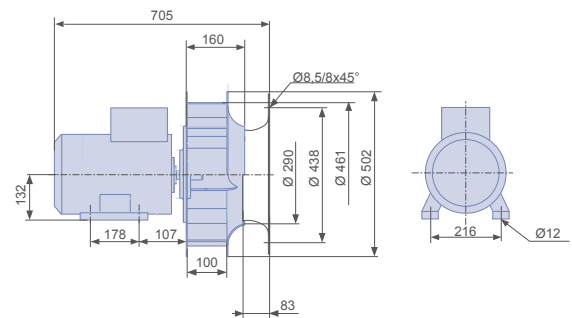
Performance data 60 Hz

| | | | |
|-----------------------|-----------|-------------------|------------------------|
| Rated frequency | f_{max} | Hz | 60 |
| Rated voltage | U_N | V | 460 |
| Motor size | | | 132M |
| Type | | | RH45W-QDN.H7.4R |
| Article no. | | | 172367 |
| Connection | | | Y/YY |
| Motor output power | P_N | kW | 3.00/10.60 |
| Rated current | I_N | A | 5.30/18.40 |
| Speed | n_N | min ⁻¹ | 1735/3470 |
| Weight | | kg | 108.00 |
| Characteristic curves | | | IV/III |

Dimensions mm



L-KL-3505-17



L-KL-3505-36

ZArail

RH50W..1R

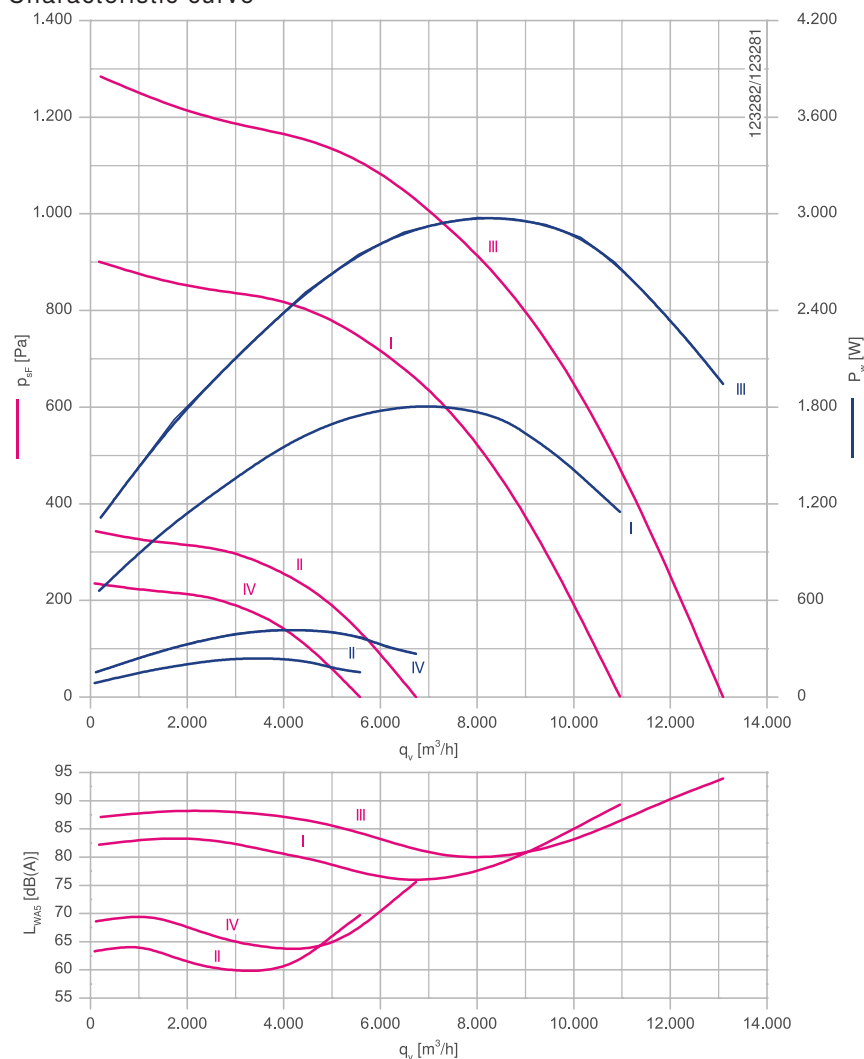
Standard motor



Description

Design: RH*
Design: IMB 3
Installation position: H
Thermal class: THCL155
Degree of protection : IP55
Number of poles: 8- 4 pole
Min. permitted ambient temperature $t_{R(min)}$: -30 °C
Max. permitted ambient temperature $t_{R(max)}$: 60 °C
Impeller made of bright sheet metal, powder-coated, ultramarine blue
Inlet ring supplied loosely, powder-coated, RAL 7032 (pebble grey)

Characteristic curve



Measured with inlet ring, without guard grille according to ISO 5801

| | | | |
|--------------------|------------|---------------|----------|
| Inlet ring | 00411857 | RAL 7032 | Page 302 |
| | | (pebble grey) | |
| Inlet ring | 00411850 | unpainted | |
| Connection diagram | 1360-221XA | | Page 328 |
| | KLK | | |



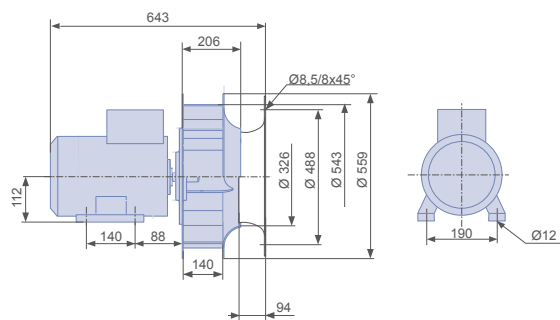
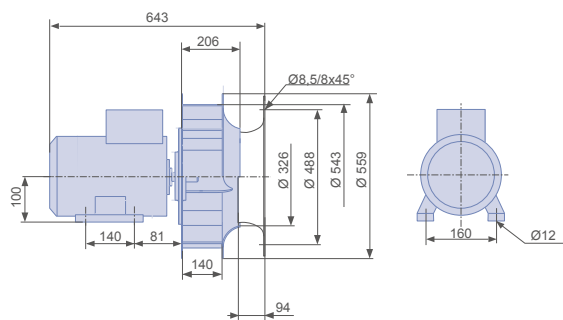
Performance data 50 Hz

| | | | |
|-----------------------|-----------|-------------------|------------------------|
| Rated frequency | f_{max} | Hz | 50 |
| Rated voltage | U_N | V | 400 |
| Motor size | | | 100L |
| Type | | | RH50W-XDN.E7.1R |
| Article no. | | | 172348 |
| Connection | | | Y/YY |
| Motor output power | P_N | kW | 0.30/2.00 |
| Rated current | I_N | A | 2.50/5.40 |
| Speed | n_N | min ⁻¹ | 740/1460 |
| Weight | | kg | 60.00 |
| Characteristic curves | | | II/I |

Performance data 60 Hz

| | | | |
|-----------------------|-----------|-------------------|------------------------|
| Rated frequency | f_{max} | Hz | 60 |
| Rated voltage | U_N | V | 460 |
| Motor size | | | 112M |
| Type | | | RH50W-XDN.F7.1R |
| Article no. | | | 172368 |
| Connection | | | Y/YY |
| Motor output power | P_N | kW | 0.40/3.10 |
| Rated current | I_N | A | 2.55/6.20 |
| Speed | n_N | min ⁻¹ | 885/1750 |
| Weight | | kg | 51.00 |
| Characteristic curves | | | IV/III |

Dimensions mm



ZArail

RH50W..2R

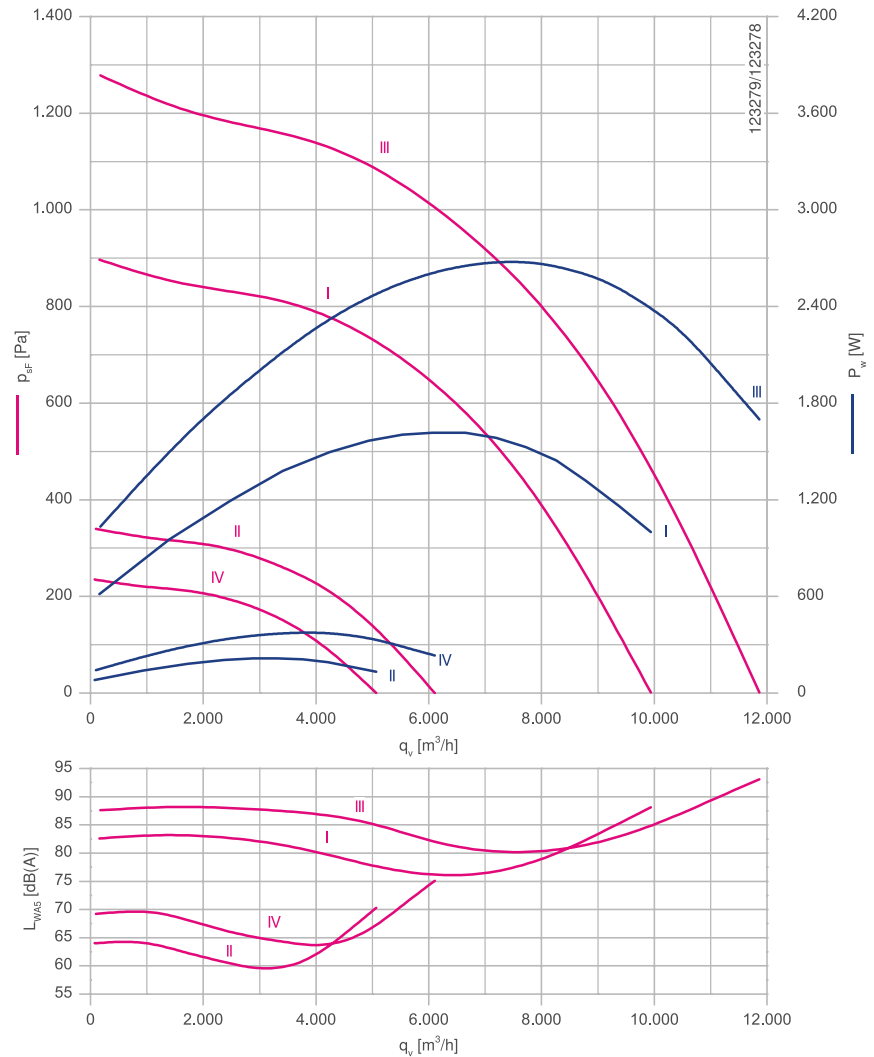
Standard motor



Description

Design: RH*
Design: IMB 3
Installation position: H
Thermal class: THCL155
Degree of protection : IP55
Number of poles: 8- 4 pole
Min. permitted ambient temperature $t_{R(min)}$: -30 °C
Max. permitted ambient temperature $t_{R(max)}$: 60 °C
Impeller made of bright sheet metal, powder-coated, ultramarine blue
Inlet ring supplied loosely, powder-coated, RAL 7032 (pebble grey)

Characteristic curve



Measured with inlet ring, without guard grille according to ISO 5801

| | | | |
|--------------------|------------|---------------|----------|
| Inlet ring | 00411857 | RAL 7032 | Page 302 |
| | | (pebble grey) | |
| | | unpainted | |
| Inlet ring | 00411850 | | |
| Connection diagram | 1360-221XA | | Page 328 |
| | KLK | | |



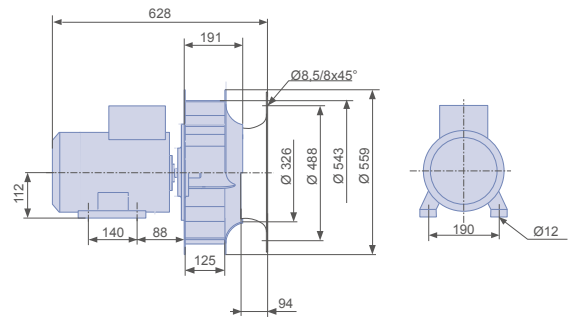
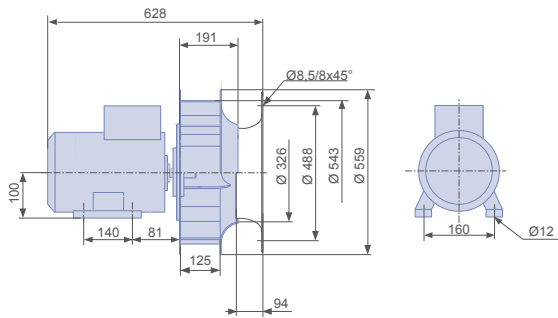
Performance data 50 Hz

| | | | |
|-----------------------|-----------|-------------------|------------------------|
| Rated frequency | f_{max} | Hz | 50 |
| Rated voltage | U_N | V | 400 |
| Motor size | | | 100L |
| Type | | | RH50W-XDN.E7.2R |
| Article no. | | | 172349 |
| Connection | | | Y/YY |
| Motor output power | P_N | kW | 0.30/2.00 |
| Rated current | I_N | A | 2.50/5.40 |
| Speed | n_N | min ⁻¹ | 740/1460 |
| Weight | | kg | 60.00 |
| Characteristic curves | | | II/I |

Performance data 60 Hz

| | | | |
|-----------------------|-----------|-------------------|------------------------|
| Rated frequency | f_{max} | Hz | 60 |
| Rated voltage | U_N | V | 460 |
| Motor size | | | 112M |
| Type | | | RH50W-XDN.F7.2R |
| Article no. | | | 172369 |
| Connection | | | Y/YY |
| Motor output power | P_N | kW | 0.40/3.10 |
| Rated current | I_N | A | 2.55/6.20 |
| Speed | n_N | min ⁻¹ | 885/1750 |
| Weight | | kg | 51.00 |
| Characteristic curves | | | IV/III |

Dimensions mm



ZArail

RH50W..3R

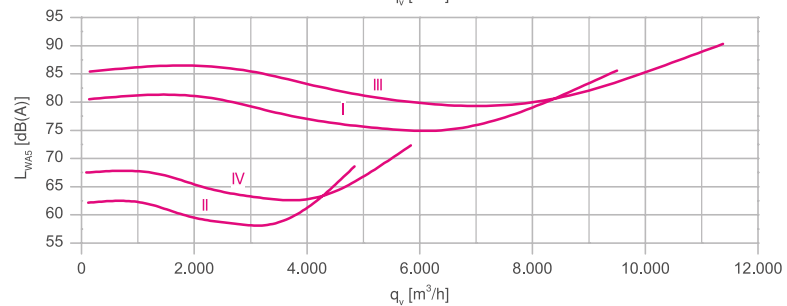
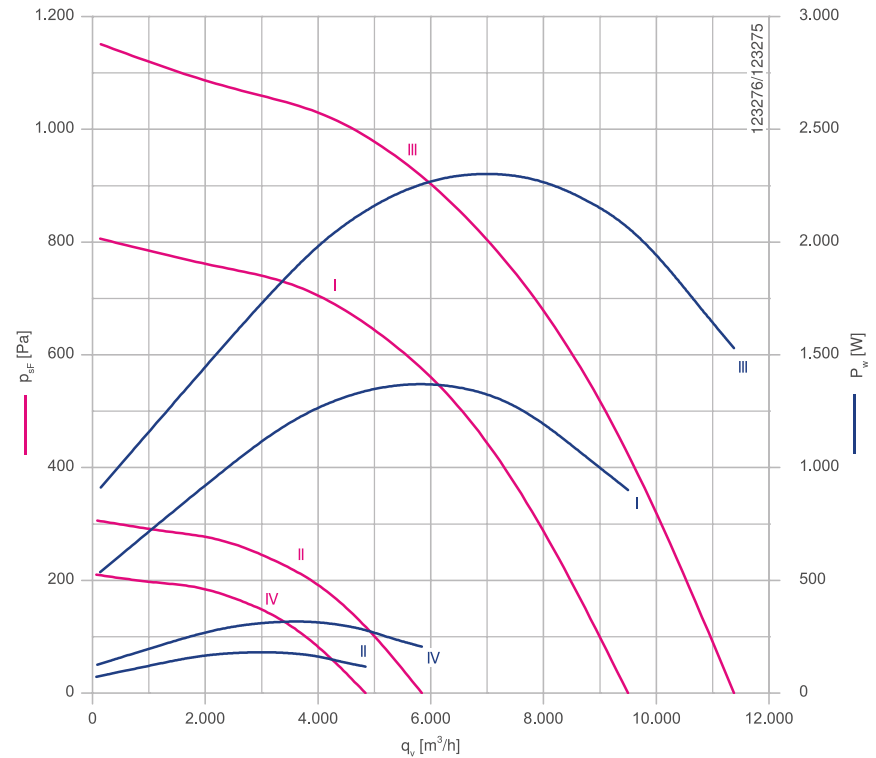
Standard motor



Description

Design: RH*
Design: IMB 3
Installation position: H
Thermal class: THCL155
Degree of protection : IP55
Number of poles: 8- 4 pole
Min. permitted ambient temperature $t_{R(min)}$: -30 °C
Max. permitted ambient temperature $t_{R(max)}$: 60 °C
Impeller made of bright sheet metal, powder-coated, ultramarine blue
Inlet ring supplied loosely, powder-coated, RAL 7032 (pebble grey)

Characteristic curve



Measured with inlet ring, without guard grille according to ISO 5801

| | | | |
|--------------------|------------|---------------|----------|
| Inlet ring | 00411857 | RAL 7032 | Page 302 |
| | | (pebble grey) | |
| Inlet ring | 00411850 | unpainted | |
| Connection diagram | 1360-221XA | | Page 328 |
| | KLK | | |



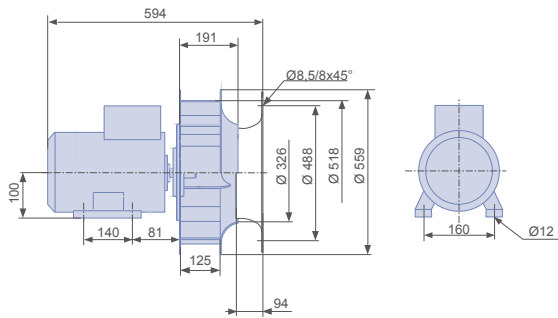
Performance data 50 Hz

| | | | |
|-----------------------|-----------|-------------------|------------------------|
| Rated frequency | f_{max} | Hz | 50 |
| Rated voltage | U_N | V | 400 |
| Motor size | | | 100L |
| Type | | | RH50W-XDN.E7.3R |
| Article no. | | | 172350 |
| Connection | | | Y/YY |
| Motor output power | P_N | kW | 0.20/1.50 |
| Rated current | I_N | A | 2.50/4.90 |
| Speed | n_N | min ⁻¹ | 745/1470 |
| Weight | | kg | 50.00 |
| Characteristic curves | | | II/I |

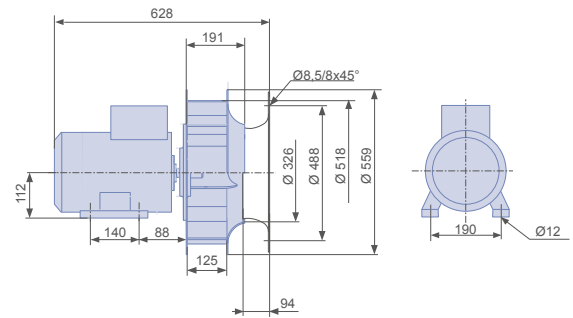
Performance data 60 Hz

| | | | |
|-----------------------|-----------|-------------------|------------------------|
| Rated frequency | f_{max} | Hz | 60 |
| Rated voltage | U_N | V | 460 |
| Motor size | | | 112M |
| Type | | | RH50W-XDN.F7.3R |
| Article no. | | | 172370 |
| Connection | | | Y/YY |
| Motor output power | P_N | kW | 0.30/2.50 |
| Rated current | I_N | A | 2.50/5.50 |
| Speed | n_N | min ⁻¹ | 890/1760 |
| Weight | | kg | 59.00 |
| Characteristic curves | | | IV/III |

Dimensions mm



L-KL-3505-20



L-KL-3505-39

ZArail

RH50W..4R

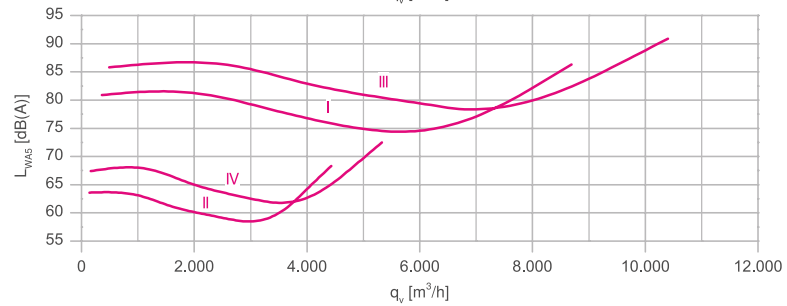
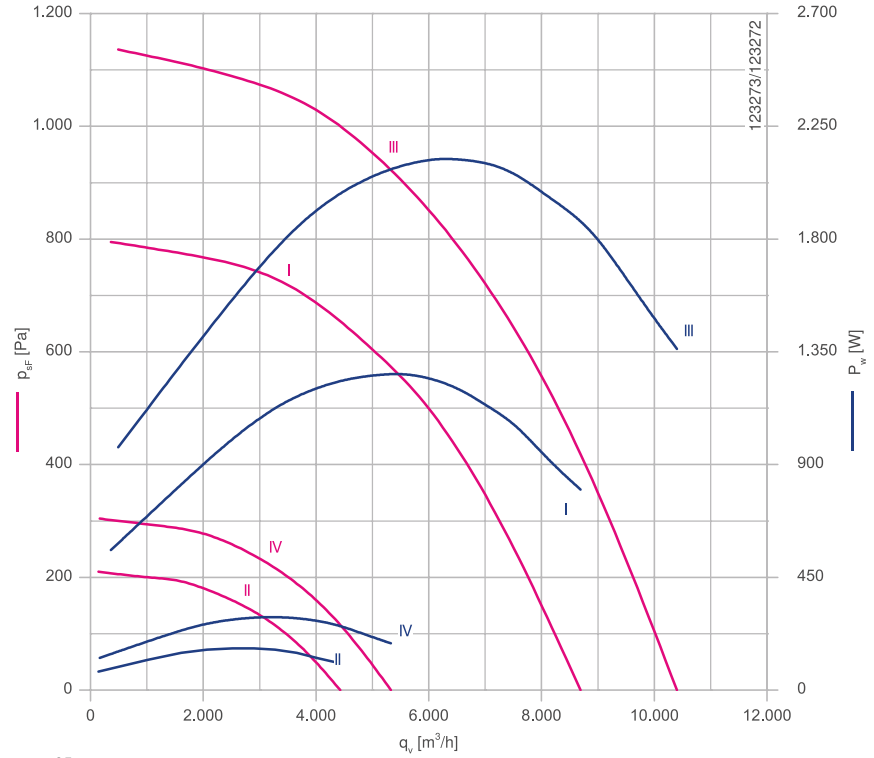
Standard motor



Description

Design: RH*
Design: IMB 3
Installation position: H
Thermal class: THCL155
Degree of protection : IP55
Number of poles: 8- 4 pole
Min. permitted ambient temperature $t_{R(min)}$: -30 °C
Max. permitted ambient temperature $t_{R(max)}$: 60 °C
Impeller made of bright sheet metal, powder-coated, ultramarine blue
Inlet ring supplied loosely, powder-coated, RAL 7032 (pebble grey)

Characteristic curve



Measured with inlet ring, without guard grille according to ISO 5801

| | | | |
|--------------------|------------|---------------|----------|
| Inlet ring | 00411857 | RAL 7032 | Page 302 |
| | | (pebble grey) | |
| Inlet ring | 00411850 | unpainted | |
| Connection diagram | 1360-221XA | | Page 328 |
| | KLK | | |



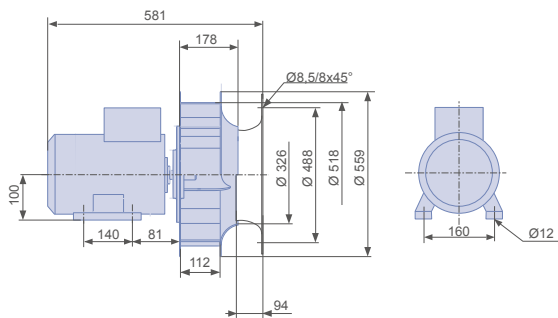
Performance data 50 Hz

| | | | |
|-----------------------|-----------|-------------------|------------------------|
| Rated frequency | f_{max} | Hz | 50 |
| Rated voltage | U_N | V | 400 |
| Motor size | | | 100L |
| Type | | | RH50W-XDN.E7.4R |
| Article no. | | | 172351 |
| Connection | | | Y/YY |
| Motor output power | P_N | kW | 0.20/1.50 |
| Rated current | I_N | A | 2.50/4.90 |
| Speed | n_N | min ⁻¹ | 745/1470 |
| Weight | | kg | 50.00 |
| Characteristic curves | | | II/I |

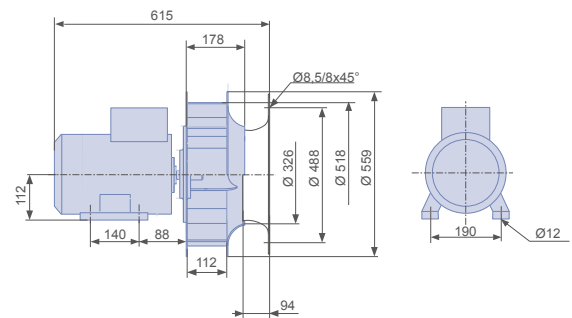
Performance data 60 Hz

| | | | |
|-----------------------|-----------|-------------------|------------------------|
| Rated frequency | f_{max} | Hz | 60 |
| Rated voltage | U_N | V | 460 |
| Motor size | | | 112M |
| Type | | | RH50W-XDN.F7.4R |
| Article no. | | | 172371 |
| Connection | | | Y/YY |
| Motor output power | P_N | kW | 0.30/2.50 |
| Rated current | I_N | A | 2.50/5.50 |
| Speed | n_N | min ⁻¹ | 890/1760 |
| Weight | | kg | 59.00 |
| Characteristic curves | | | IV/III |

Dimensions mm



L-KL-3505-21



L-KL-3505-40



Cpro-ECblue

EC technology

Product overview

| | |
|-----------------|----------|
| Quick selection | Page 84 |
| Size 250 | Page 86 |
| Size 280 | Page 88 |
| Size 315 | Page 90 |
| Size 355 | Page 96 |
| Size 400 | Page 100 |
| Size 450 | Page 104 |

Information

ZArail

Cpro-ECblue

C-ECblue

C series

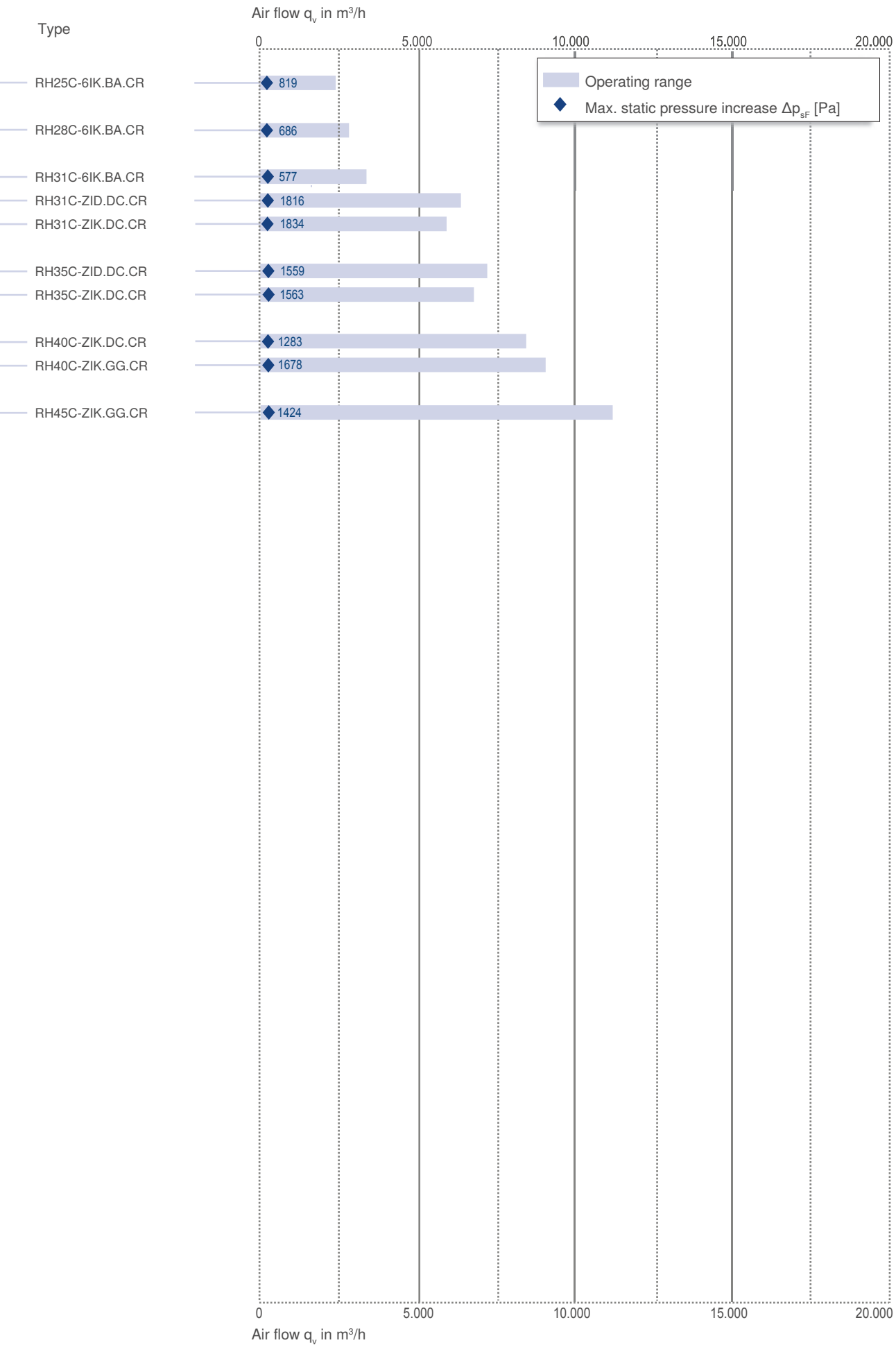
N series

M series

FE2owlet

| Size | Voltage | Type | Impeller position | Page |
|------|---------------|-----------------|-------------------|------|
| 250 | 110V | RH25C-6IK.BA.CR | K | 86 |
| 280 | 110V | RH28C-6IK.BA.CR | K | 88 |
| 315 | 110V | RH31C-6IK.BA.CR | K | 90 |
| | 3~ 380 - 480V | RH31C-ZID.DC.CR | D | 92 |
| | 3~ 380 - 480V | RH31C-ZIK.DC.CR | K | 94 |
| 355 | 3~ 380 - 480V | RH35C-ZID.DC.CR | D | 96 |
| | 3~ 380 - 480V | RH35C-ZIK.DC.CR | K | 98 |
| 400 | 3~ 380 - 480V | RH40C-ZIK.DC.CR | K | 100 |
| | 3~ 380 - 480V | RH40C-ZIK.GG.CR | K | 102 |
| 450 | 3~ 380 - 480V | RH45C-ZIK.GG.CR | K | 104 |





Information

ZArail

Cpro-ECblue

C-ECblue

C series

N series

M series

FE2owllet

Cpro-ECblue

for direct current, 110 V

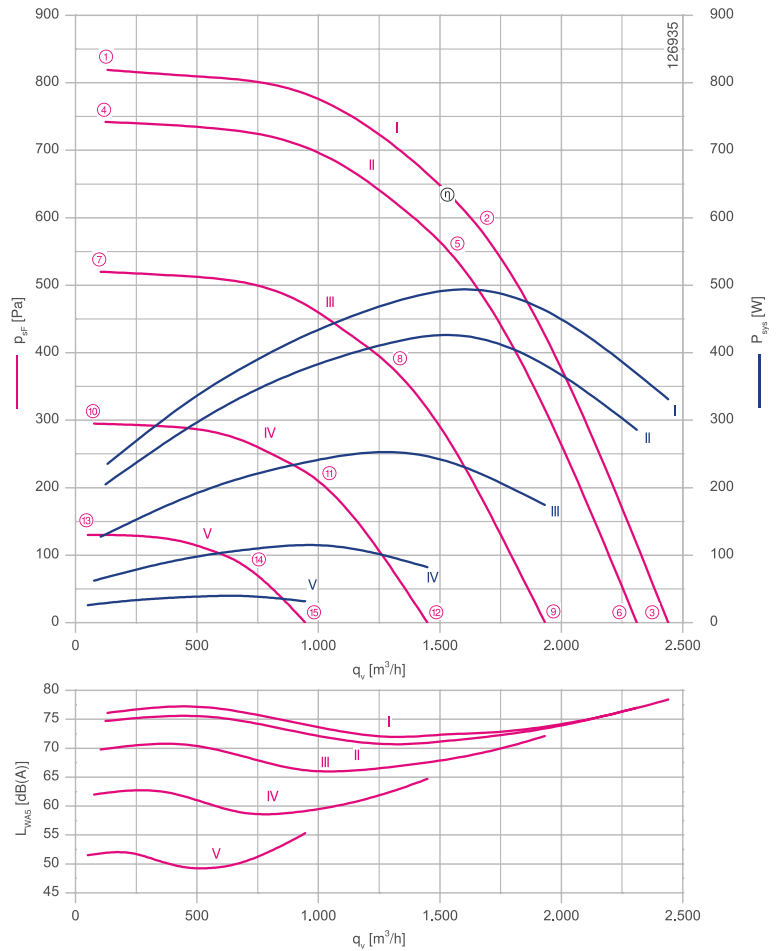
RH25C-6IK



Description

Motor technology: EC
 Rated voltage U_N : **DC110 V***
 Input power P_{sys} : **0.50 kW***
 Rated current I_N : **4.40 A***
 Rated speed n_N : **3030 min⁻¹***
 Thermal class: **THCL155***
 Min. permitted ambient temperature t_{R-} : -35 °C
 Max. permitted ambient temperature t_{R+} at n_{max} : 55 °C
 Electrical connection: Integrated controller
 Balancing quality: G 6.3
 Degree of protection : IP54
 Motor protection: Integrated active temperature management
 Impeller : ZAmid, uncoated, black
 Conformity: CE
 *Rated data

Characteristic curve

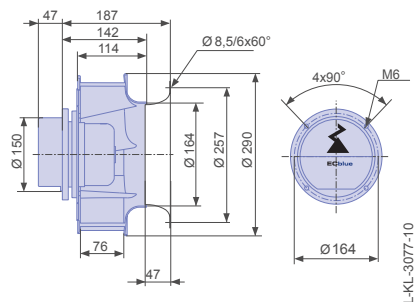


Measured with inlet ring, without guard grille according to ISO 5801

| | | | |
|--------------------|----------|---------------------------|----------|
| Inlet ring | 00401777 | RAL 7032 (pebble grey) | Page 302 |
| Inlet ring | 00400803 | unpainted | |
| Connection diagram | 1360-384 | | Page 326 |

Dimensions mm

Free-running motorized impeller RH
in installation position H/Vu/Vo



Performance data

| Type | Characteristic curve | Speed | Operating point | Current | Input power | Suction side sound power level | Maximum ambient temperature |
|-----------------|----------------------|------------------------|-----------------|---------|-----------------------|--------------------------------|-----------------------------|
| | | n min ⁻¹ | | I A | P _{sys} W | L _{WA5} dB(A) | |
| RH25C-6IK.BA.CR | I | 3030 | ① | 2.10 | 240 | 76 | 55 |
| | | 3030* | ② | 4.40* | 500 | 73 | |
| | | 3030 | ③ | 3.00 | 330 | 78 | |
| | II | 2890 | ④ | 1.85 | 200 | 75 | 60 |
| | | | ⑤ | 3.90 | 420 | 71 | |
| | | | ⑥ | 2.60 | 290 | 77 | |
| | III | 2420 | ⑦ | 1.15 | 130 | 70 | 60 |
| | | | ⑧ | 2.30 | 250 | 67 | |
| | | | ⑨ | 1.60 | 170 | 72 | |
| | IV | 1820 | ⑩ | 0.56 | 60 | 62 | 60 |
| | | | ⑪ | 1.05 | 120 | 59 | |
| | | | ⑫ | 0.74 | 80 | 65 | |
| | V | 1210 | ⑬ | 0.24 | 26 | 52 | 60 |
| | | | ⑭ | 0.36 | 40 | 50 | |
| | | | ⑮ | 0.29 | 32 | 55 | |

*rated data

Fan ordering information

Design RH*

Installation position H/Vu/Vo



Type **RH25C-6IK.BA.CR**

Article no. **174659**

Weight kg 4.80

* inlet ring not included

Control technology

Operating terminal



Page 316

Information

ZArail

Cpro-ECblue

C-ECblue

C series

N series

M series

FE2owlet

Cpro-ECblue

for direct current, 110 V

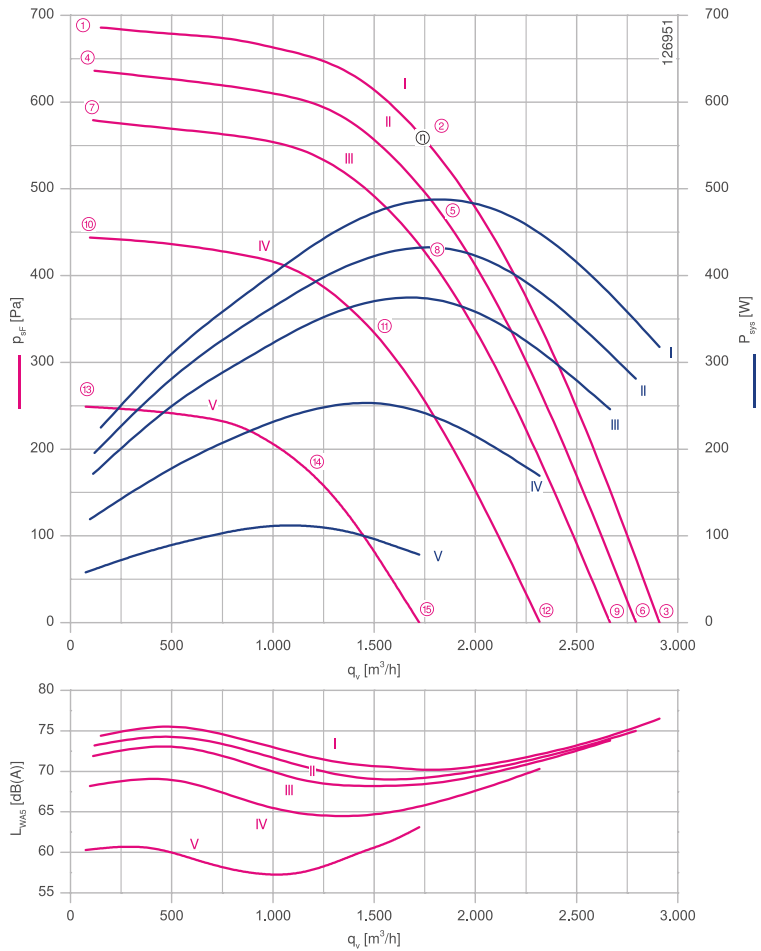
RH28C-6IK



Description

Motor technology: EC
 Rated voltage U_N : **DC110 V***
 Input power P_{sys} : **480 W***
 Rated current I_N : **4.40 A***
 Rated speed n_N : **2520 min⁻¹***
 Thermal class: **THCL155***
 Min. permitted ambient temperature t_{R1} : -35 °C
 Max. permitted ambient temperature t_{R2} at n_{max} : 40 °C
 Electrical connection: Integrated controller
 Balancing quality: G 6.3
 Degree of protection : IP54
 Motor protection: Integrated active temperature management
 Impeller : ZAmid, uncoated, black
 Conformity: CE
 *Rated data

Characteristic curve

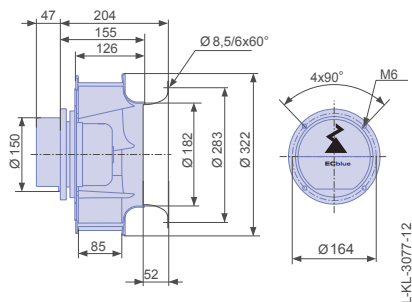


Measured with inlet ring, without guard grille according to ISO 5801

| | | | |
|--------------------|----------|---------------------------|----------|
| Inlet ring | 00401778 | RAL 7032 (pebble grey) | Page 302 |
| Inlet ring | 00400804 | unpainted | |
| Connection diagram | 1360-384 | | Page 326 |

Dimensions mm

Free-running motorized impeller RH
in installation position H/Vu/Vo



Performance data

| Type | Characteristic curve | Speed | Operating point | Current | Input power | Suction side sound power level | Maximum ambient temperature |
|-----------------|----------------------|------------------------|-----------------|---------|-----------------------|--------------------------------|-----------------------------|
| | | n min ⁻¹ | | I A | P _{sys} W | L _{WA5} dB(A) | t _R °C |
| RH28C-6IK.BA.CR | I | 2520 | ① | 2.00 | 220 | 74 | |
| | | 2520* | ② | 4.40* | 480 | 70 | 40 |
| | | 2510 | ③ | 2.90 | 320 | 77 | |
| | II | 2420 | ④ | 1.75 | 200 | 73 | |
| | | | ⑤ | 3.90 | 440 | 70 | 50 |
| | | | ⑥ | 2.50 | 280 | 75 | |
| | III | 2310 | ⑦ | 1.55 | 170 | 72 | |
| | | | ⑧ | 3.40 | 370 | 69 | 60 |
| | | | ⑨ | 2.20 | 250 | 74 | |
| | IV | 2020 | ⑩ | 1.10 | 120 | 68 | |
| | | | ⑪ | 2.30 | 250 | 65 | 60 |
| | | | ⑫ | 1.55 | 170 | 70 | |
| | V | 1510 | ⑬ | 0.52 | 60 | 60 | |
| | | | ⑭ | 1.00 | 110 | 57 | 60 |
| | | | ⑮ | 0.70 | 80 | 63 | |

*rated data

Fan ordering information

Design RH*

Installation position H/Vu/Vo



Type RH28C-6IK.BA.CR

Article no. 174662

Weight kg 5.20

* inlet ring not included

Control technology

Operating terminal



Page 316

Cpro-ECblue

for direct current, 110 V

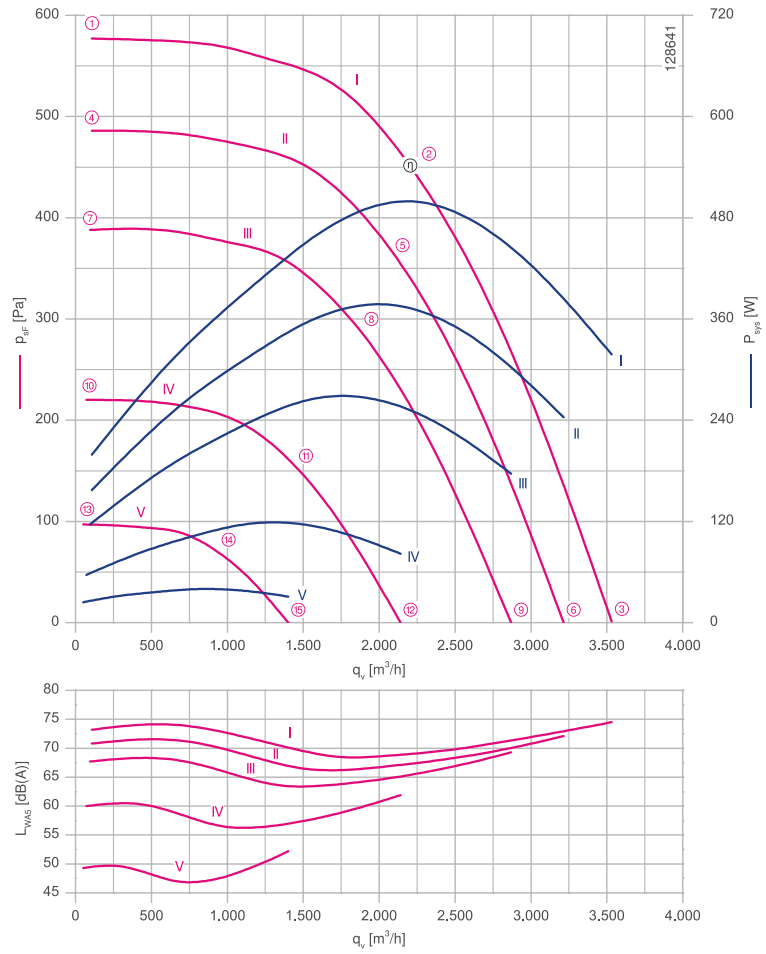
RH31C-6IK



Description

Motor technology: EC
 Rated voltage U_N : **DC110 V***
 Input power P_{sys} : **500 W***
 Rated current I_N : **4.60 A***
 Rated speed n_N : **2080 min⁻¹***
 Thermal class: **THCL155***
 Min. permitted ambient temperature t_{Ri} : -35 °C
 Max. permitted ambient temperature t_{R} at n_{max} : 40 °C
 Electrical connection: Integrated controller
 Balancing quality: G 6.3
 Degree of protection : IP54
 Motor protection: Integrated active temperature management
 Impeller : ZAmid, uncoated, black
 Conformity: CE
 *Rated data

Characteristic curve

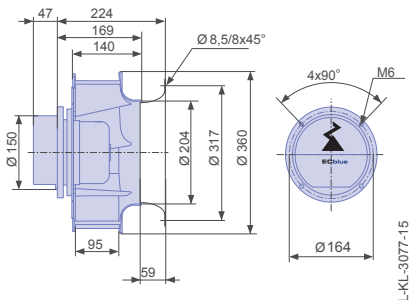


Measured with inlet ring, without guard grille according to ISO 5801

| | | | |
|--------------------|----------|---------------------------|----------|
| Inlet ring | 00411853 | RAL 7032 (pebble grey) | Page 302 |
| Inlet ring | 00411846 | unpainted | |
| Connection diagram | 1360-384 | | Page 326 |

Dimensions mm

Free-running motorized impeller RH
in installation position H/Vu/Vo



Performance data

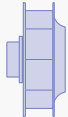
| Type | Characteristic curve | Speed | Operating point | Current | Input power | Suction side sound power level | Maximum ambient temperature |
|-----------------|----------------------|------------------------|-----------------|---------|-----------------------|--------------------------------|-----------------------------|
| | | n min ⁻¹ | | I A | P _{sys} W | L _{WAS} dB(A) | |
| RH31C-6IK.BA.CR | I | 2080 | ① | 1.80 | 200 | 73 | 45 |
| | | 2080* | ② | 4.60* | 500 | 69 | |
| | | 2080 | ③ | 2.90 | 320 | 75 | |
| | II | 1890 | ④ | 1.40 | 160 | 71 | 60 |
| | | | ⑤ | 3.40 | 380 | 67 | |
| | | | ⑥ | 2.20 | 240 | 72 | |
| | III | 1690 | ⑦ | 1.05 | 120 | 68 | 60 |
| | | | ⑧ | 2.40 | 270 | 64 | |
| | | | ⑨ | 1.60 | 180 | 69 | |
| | IV | 1270 | ⑩ | 0.52 | 55 | 60 | 60 |
| | | | ⑪ | 1.05 | 120 | 57 | |
| | | | ⑫ | 0.74 | 80 | 62 | |
| | V | 840 | ⑬ | 0.22 | 24 | 49 | 60 |
| | | | ⑭ | 0.36 | 40 | 47 | |
| | | | ⑮ | 0.28 | 30 | 52 | |

*rated data

Fan ordering information

Design RH*

Installation position H/Vu/Vo



Type RH31C-6IK.BA.CR

Article no. 174664

Weight kg 6.20

* inlet ring not included

Control technology

Operating terminal



Page 316

Information

ZArail

Cpro-ECblue

C-ECblue

C series

N series

M series

FE2owlet

Cpro-ECblue

for three phase alternating current, 380-480 V

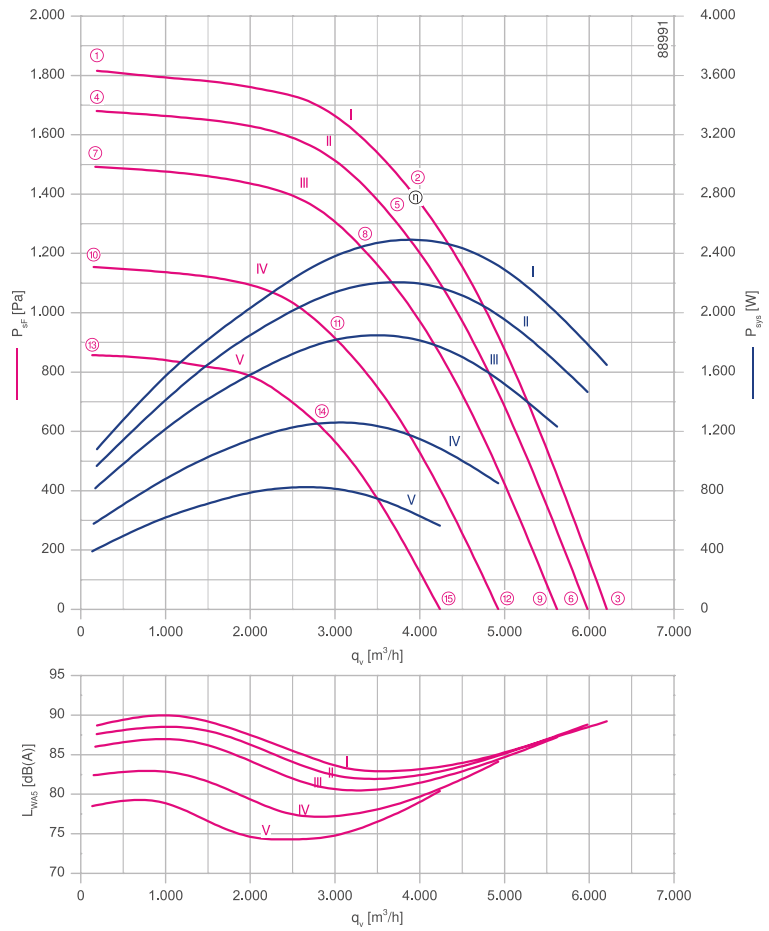
RH31C-ZID



Description

Motor technology: EC
 Rated voltage U_N : 3-380-480 V*
 Rated frequency f_N : 50/60 Hz*
 Input power P_{sys} : 2.50 kW*
 Rated current I_N : 4.00-3.20 A*
 Rated speed n_N : 3640 min⁻¹*
 Thermal class: THCL155*
 Min. permitted ambient temperature t_R : -35 °C
 Max. permitted ambient temperature t_R at n_{max} : 55 °C
 Electrical connection: Integrated controller
 Balancing quality: G 6.3
 Degree of protection : IP54
 Motor protection: Integrated active temperature management
 Impeller : ZAmid, uncoated, black
 Conformity: CE
 *Rated data

Characteristic curve

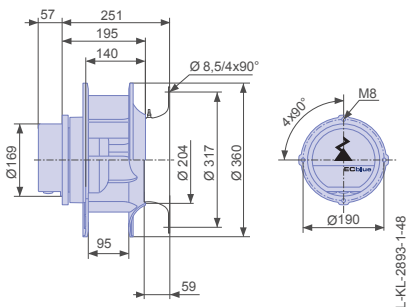


Measured with inlet ring, without guard grille according to ISO 5801

| | | | |
|--------------------|----------|---------------|----------|
| Inlet ring | 00411853 | RAL 7032 | Page 302 |
| | | (pebble grey) | |
| Inlet ring | 00411846 | unpainted | |
| Connection diagram | 1360-403 | | Page 326 |

Dimensions mm

Free-running motorized impeller RH
in installation position H/Vu/Vo



Performance data

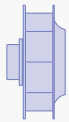
| Type | Characteristic curve | Speed | Operating point | Current | Input power | Suction side sound power level | Maximum ambient temperature |
|-----------------|----------------------|------------------------|-----------------|---------|-----------------------|--------------------------------|-----------------------------|
| | | n min ⁻¹ | | I A | P _{sys} W | L _{WAS} dB(A) | t _R °C |
| __31C-ZID.DC.CR | I | 3640 | ① | 1.70 | 1100 | 89 | 55 |
| | | | ② | 3.80 | 2500 | 83 | |
| | | | ③ | 2.50 | 1650 | 89 | |
| | II | 3500 | ④ | 1.55 | 960 | 88 | 60 |
| | | | ⑤ | 3.40 | 2200 | 82 | |
| | | | ⑥ | 2.30 | 1450 | 89 | |
| | III | 3300 | ⑦ | 1.35 | 820 | 86 | 60 |
| | | | ⑧ | 2.90 | 1850 | 81 | |
| | | | ⑨ | 1.95 | 1250 | 87 | |
| | IV | 2900 | ⑩ | 1.00 | 580 | 82 | 60 |
| | | | ⑪ | 2.00 | 1250 | 77 | |
| | | | ⑫ | 1.40 | 860 | 84 | |
| | V | 2500 | ⑬ | 0.76 | 390 | 79 | 60 |
| | | | ⑭ | 1.35 | 820 | 75 | |
| | | | ⑮ | 0.98 | 560 | 80 | |

Current values determined at 400V

Fan ordering information

Design RH*

Installation position H/Vu/Vo



Type RH31C-ZID.DC.CR

Article no. 115882

Weight kg 10.00

* inlet ring not included

Control technology

Operating terminal

Expansion module



Page 316

Page 307

Cpro-ECblue

for three phase alternating current, 380-480 V

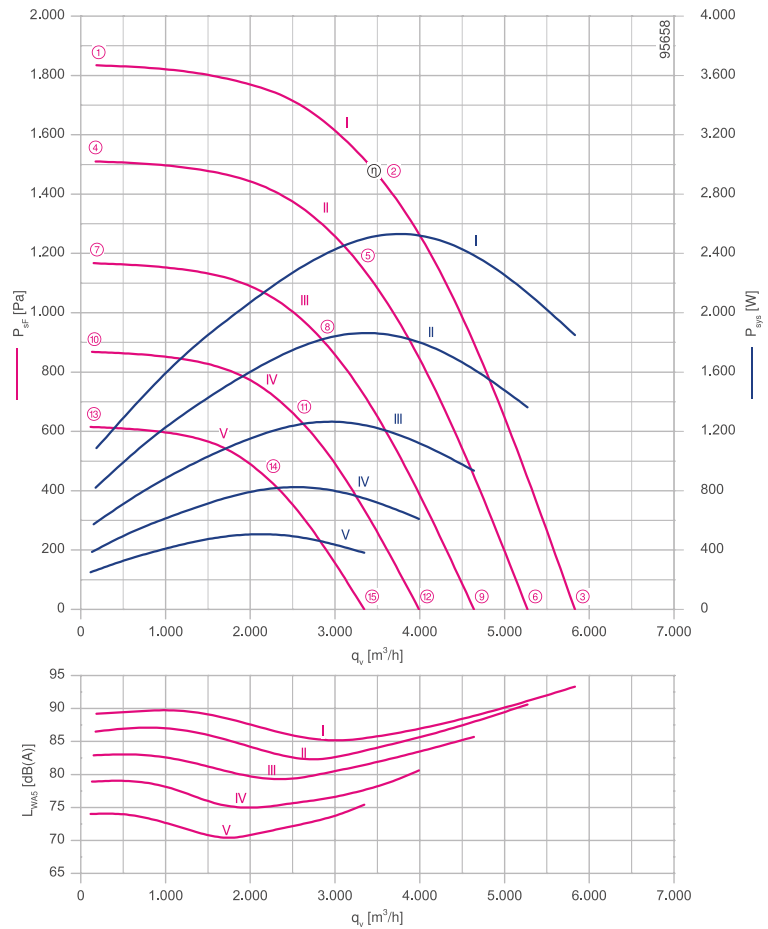
RH31C-ZIK



Description

Motor technology: EC
 Rated voltage U_N : 3-380-480 V*
 Rated frequency f_N : 50/60 Hz*
 Input power P_{sys} : 2.50 kW*
 Rated current I_N : 4.00-3.20 A*
 Rated speed n_N : 3640 min⁻¹*
 Thermal class: THCL155*
 Min. permitted ambient temperature t_R : -35 °C
 Max. permitted ambient temperature t_R at n_{max} : 60 °C
 Electrical connection: Integrated controller
 Balancing quality: G 6.3
 Degree of protection : IP54
 Motor protection: Integrated active temperature management
 Impeller : ZAmid, uncoated, black
 Conformity: CE
 *Rated data

Characteristic curve

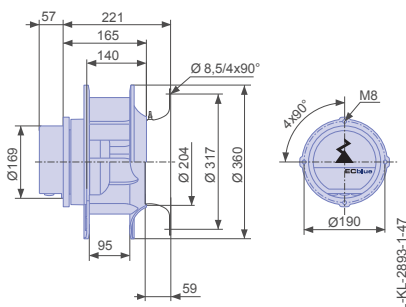


Measured with inlet ring, without guard grille according to ISO 5801

| | | | |
|--------------------|----------|---------------|----------|
| Inlet ring | 00411853 | RAL 7032 | Page 302 |
| | | (pebble grey) | |
| | | unpainted | |
| Inlet ring | 00411846 | | |
| Connection diagram | 1360-403 | | Page 326 |

Dimensions mm

Free-running motorized impeller RH
in installation position H/Vu/Vo



Performance data


| Type | Characteristic curve | Speed | Operating point | Current | Input power | Suction side sound power level |
|----------------|----------------------|------------------------|-----------------|---------|-----------------------|--------------------------------|
| | | n min ⁻¹ | | I A | P _{sys} W | L _{WA5} dB(A) |
| _31C-ZIK.DC.CR | I | 3640 | ① | 1.75 | 1100 | 89 |
| | | | ② | 3.90 | 2500 | 87 |
| | | | ③ | 2.90 | 1850 | 93 |
| | II | 3300 | ④ | 1.35 | 820 | 87 |
| | | | ⑤ | 2.90 | 1850 | 83 |
| | | | ⑥ | 2.10 | 1350 | 91 |
| | III | 2900 | ⑦ | 1.00 | 580 | 83 |
| | | | ⑧ | 2.00 | 1250 | 80 |
| | | | ⑨ | 1.50 | 940 | 86 |
| | IV | 2500 | ⑩ | 0.78 | 390 | 79 |
| | | | ⑪ | 1.35 | 820 | 76 |
| | | | ⑫ | 1.05 | 620 | 81 |
| | V | 2100 | ⑬ | 0.56 | 250 | 74 |
| | | | ⑭ | 0.92 | 500 | 71 |
| | | | ⑮ | 0.76 | 380 | 75 |

Current values determined at 400V

Fan ordering information

Design RH*

Installation position H/Vu/Vo

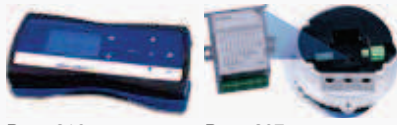


Type RH31C-ZIK.DC.CR
Article no. 115881

Weight kg 10.00
* inlet ring not included

Control technology

Operating terminal Expansion module



Page 316 Page 307

Information

ZArail

Cpro-ECblue

C-ECblue

C series

N series

M series

FE2owlet

Cpro-ECblue

for three phase alternating current, 380-480 V

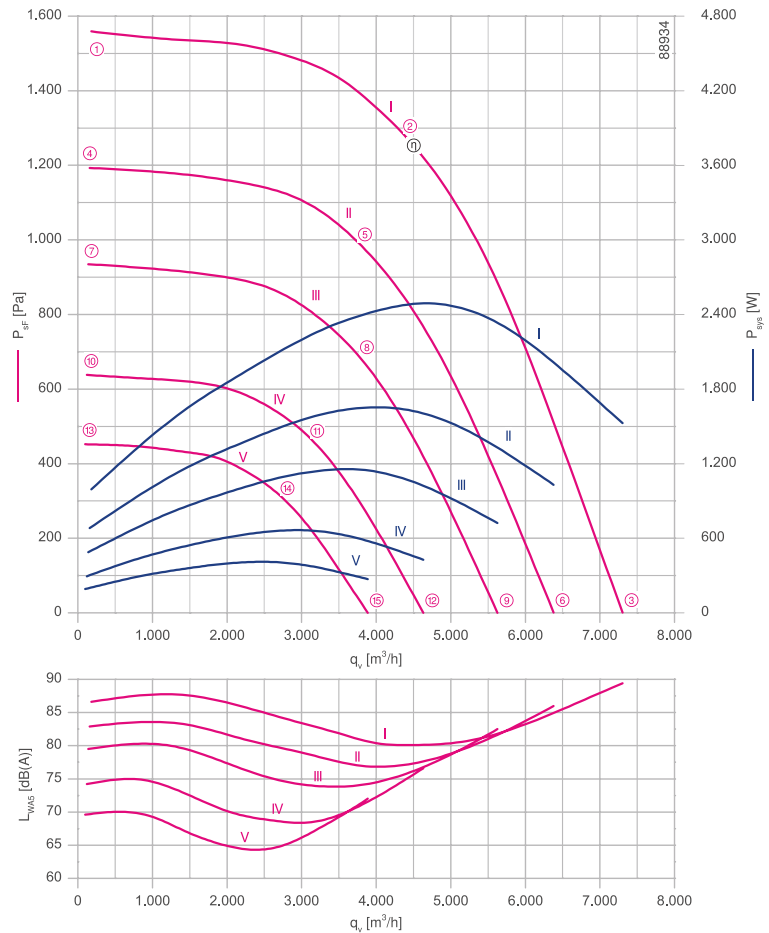
RH35C-ZID



Description

Motor technology: EC
 Rated voltage U_N : 3-380-480 V*
 Rated frequency f_N : 50/60 Hz*
 Input power P_{sys} : 2.50 kW*
 Rated current I_N : 4.00-3.20 A*
 Rated speed n_N : 2970 min⁻¹*
 Thermal class: THCL155*
 Min. permitted ambient temperature t_R : -35 °C
 Max. permitted ambient temperature t_R at n_{max} : 50 °C
 Electrical connection: Integrated controller
 Balancing quality: G 6.3
 Degree of protection : IP54
 Motor protection: Integrated active temperature management
 Impeller : ZAmid, uncoated, black
 Conformity: CE
 *Rated data

Characteristic curve

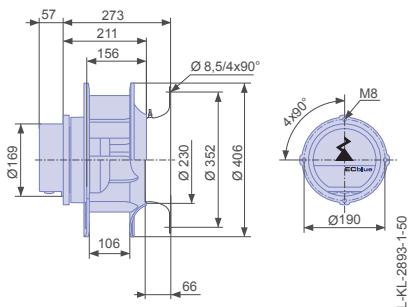


Measured with inlet ring, without guard grille according to ISO 5801

| | | | |
|--------------------|----------|---------------|----------|
| Inlet ring | 00411854 | RAL 7032 | Page 302 |
| | | (pebble grey) | |
| | | unpainted | |
| Inlet ring | 00411847 | | |
| Connection diagram | 1360-403 | | Page 326 |

Dimensions mm

Free-running motorized impeller RH
in installation position H/Vu/Vo



Performance data

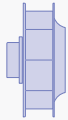
| Type | Characteristic curve | Speed | Operating point | Current | Input power | Suction side sound power level | Maximum ambient temperature |
|-----------------|----------------------|------------------------|-----------------|---------|-----------------------|--------------------------------|-----------------------------|
| | | n min ⁻¹ | | I A | P _{sys} W | L _{WAS} dB(A) | t _R °C |
| __35C-ZID.DC.CR | I | 2970 | ① | 1.60 | 1000 | 87 | 50 |
| | | | ② | 3.80 | 2500 | 80 | |
| | | | ③ | 2.40 | 1550 | 89 | |
| | II | 2600 | ④ | 1.15 | 680 | 83 | 60 |
| | | | ⑤ | 2.60 | 1650 | 77 | |
| | | | ⑥ | 1.65 | 1050 | 86 | |
| | III | 2300 | ⑦ | 0.86 | 480 | 80 | 60 |
| | | | ⑧ | 1.85 | 1150 | 74 | |
| | | | ⑨ | 1.20 | 720 | 83 | |
| | IV | 1900 | ⑩ | 0.62 | 290 | 74 | 60 |
| | | | ⑪ | 1.15 | 660 | 68 | |
| | | | ⑫ | 0.78 | 420 | 77 | |
| | V | 1600 | ⑬ | 0.46 | 190 | 70 | 60 |
| | | | ⑭ | 0.78 | 400 | 65 | |
| | | | ⑮ | 0.58 | 270 | 72 | |

Current values determined at 400V

Fan ordering information

Design RH*

Installation position H/Vu/Vo

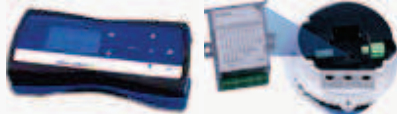


Type RH35C-ZID.DC.CR
Article no. 115884

Weight kg 11.00
* inlet ring not included

Control technology

Operating terminal Expansion module



Page 316 Page 307

Cpro-ECblue

for three phase alternating current, 380-480 V

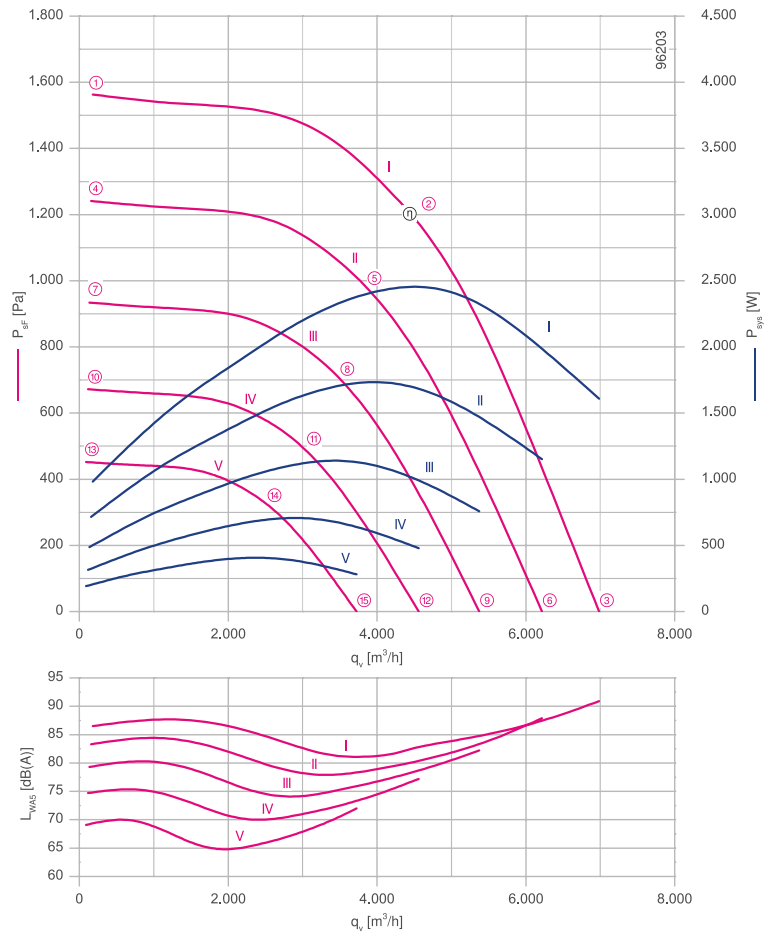
RH35C-ZIK



Description

- Motor technology: EC
- Rated voltage U_N : 3-380-480 V*
- Rated frequency f_N : 50/60 Hz*
- Input power P_{sys} : 2.50 kW*
- Rated current I_N : 4.00-3.20 A*
- Rated speed n_N : 2970 min⁻¹*
- Thermal class: THCL155*
- Min. permitted ambient temperature t_R : -35 °C
- Max. permitted ambient temperature t_R at n_{max} : 50 °C
- Electrical connection: Integrated controller
- Balancing quality: G 6.3
- Degree of protection : IP54
- Motor protection: Integrated active temperature management
- Impeller : ZAmid, uncoated, black
- Conformity: CE
- *Rated data

Characteristic curve

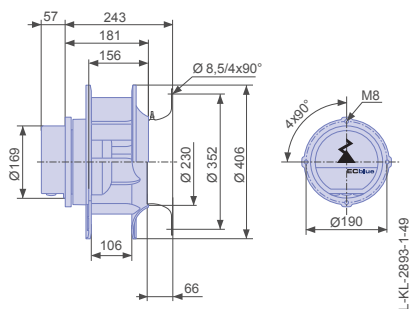


Measured with inlet ring, without guard grille according to ISO 5801

| | | | |
|--------------------|----------|---------------|----------|
| Inlet ring | 00411854 | RAL 7032 | Page 302 |
| | | (pebble grey) | |
| Inlet ring | 00411847 | unpainted | |
| Connection diagram | 1360-403 | | Page 326 |

Dimensions mm

Free-running motorized impeller RH
in installation position H/Vu/Vo



Performance data

| Type | Characteristic curve | Speed | Operating point | Current | Input power | Suction side sound power level | Maximum ambient temperature |
|-----------------|----------------------|------------------------|-----------------|---------|-----------------------|--------------------------------|-----------------------------|
| | | n min ⁻¹ | | I A | P _{sys} W | L _{WAS} dB(A) | t _R °C |
| __35C-ZIK.DC.CR | I | 2970 | ① | 1.60 | 980 | 87 | |
| | | | ② | 3.80 | 2500 | 82 | 50 |
| | | | ③ | 2.50 | 1600 | 91 | |
| | II | 2650 | ④ | 1.25 | 720 | 83 | |
| | | | ⑤ | 2.70 | 1750 | 79 | 60 |
| | | | ⑥ | 1.85 | 1150 | 88 | |
| | III | 2300 | ⑦ | 0.94 | 480 | 79 | |
| | | | ⑧ | 1.85 | 1150 | 75 | 60 |
| | | | ⑨ | 1.30 | 760 | 82 | |
| | IV | 1950 | ⑩ | 0.72 | 310 | 75 | |
| | | | ⑪ | 1.25 | 700 | 71 | 60 |
| | | | ⑫ | 0.92 | 480 | 77 | |
| | V | 1600 | ⑬ | 0.50 | 190 | 69 | |
| | | | ⑭ | 0.84 | 400 | 66 | 60 |
| | | | ⑮ | 0.66 | 280 | 72 | |

Current values determined at 400V

Fan ordering information

Design RH*

Installation position H/Vu/Vo



Type RH35C-ZIK.DC.CR

Article no. 115883

Weight kg 11.00

* inlet ring not included

Control technology

Operating terminal

Expansion module



Page 316

Page 307

Cpro-ECblue

for three phase alternating current, 380-480 V

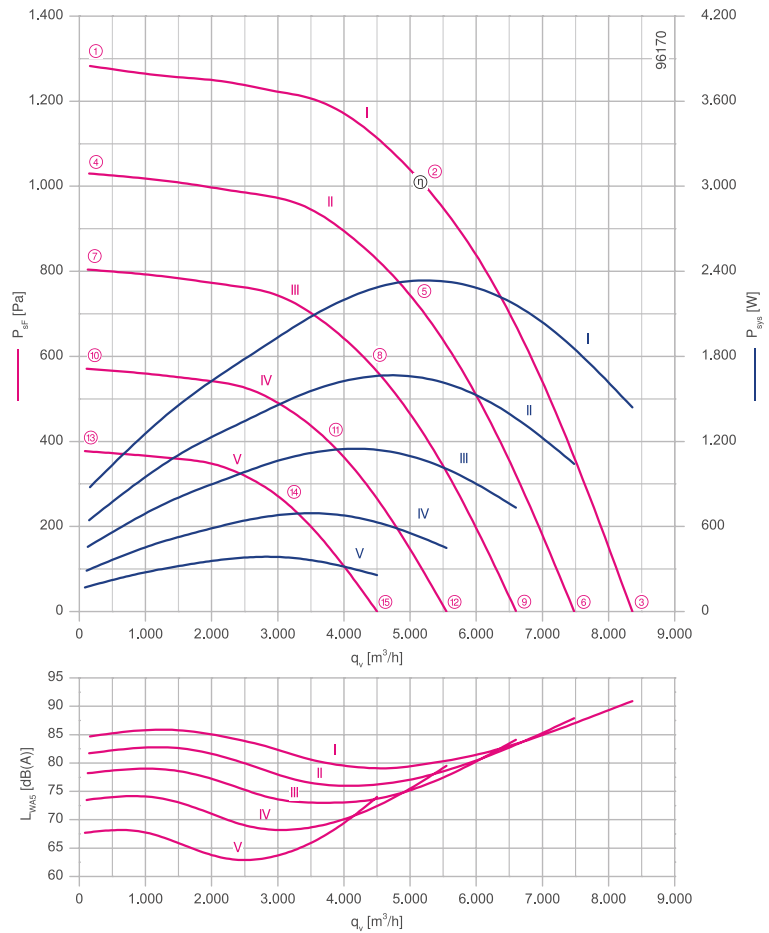
RH40C-ZIK



Description

Motor technology: EC
 Rated voltage U_N : 3-380-480 V*
 Rated frequency f_N : 50/60 Hz*
 Input power P_{sys} : 2.30 kW*
 Rated current I_N : 3.70-2.90 A*
 Rated speed n_N : 2400 min⁻¹*
 Thermal class: THCL155*
 Min. permitted ambient temperature t_R : -35 °C
 Max. permitted ambient temperature t_R at n_{max} : 40 °C
 Electrical connection: Integrated controller
 Balancing quality: G 2.5
 Degree of protection : IP54
 Motor protection: Integrated active temperature management
 Impeller : ZAmid, uncoated, black
 Conformity: CE
 *Rated data

Characteristic curve

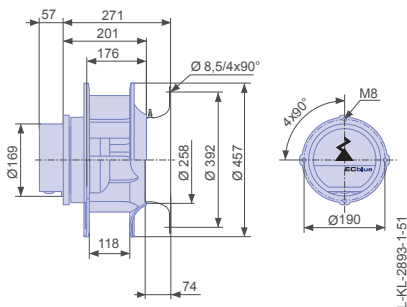


Measured with inlet ring, without guard grille according to ISO 5801

| | | | |
|--------------------|----------|---------------|----------|
| Inlet ring | 00411855 | RAL 7032 | Page 302 |
| | | (pebble grey) | |
| | | unpainted | |
| Inlet ring | 00411848 | | |
| Connection diagram | 1360-403 | | Page 326 |

Dimensions mm

Free-running motorized impeller RH
in installation position H/Vu/Vo



Performance data

| Type | Characteristic curve | Speed | Operating point | Current | Input power | Suction side sound power level | Maximum ambient temperature |
|-----------------|----------------------|--------------------------|-----------------|----------|-----------------------|--------------------------------|--------------------------------------|
| | | n min^{-1} | | I A | P_{sys} W | L_{WAS} dB(A) | t_{R} $^{\circ}\text{C}$ |
| __40C-ZIK.DC.CR | I | 2400 | ① | 1.40 | 880 | 85 | |
| | | | ② | 3.50 | 2300 | 80 | 40 |
| | | | ③ | 2.20 | 1450 | 91 | |
| | II | 2150 | ④ | 1.10 | 640 | 82 | |
| | | | ⑤ | 2.50 | 1650 | 77 | 60 |
| | | | ⑥ | 1.65 | 1050 | 88 | |
| | III | 1900 | ⑦ | 0.86 | 460 | 78 | |
| | | | ⑧ | 1.80 | 1150 | 73 | 60 |
| | | | ⑨ | 1.20 | 740 | 84 | |
| | IV | 1600 | ⑩ | 0.64 | 290 | 74 | |
| | | | ⑪ | 1.15 | 700 | 69 | 60 |
| | | | ⑫ | 0.84 | 440 | 80 | |
| | V | 1300 | ⑬ | 0.44 | 170 | 68 | |
| | | | ⑭ | 0.76 | 390 | 64 | 60 |
| | | | ⑮ | 0.58 | 260 | 74 | |

Current values determined at 400V

Fan ordering information

Design RH*

Installation position H/Vu/Vo



Type RH40C-ZIK.DC.CR

Article no. 115885

Weight kg 12.00

* inlet ring not included

Control technology

Operating terminal

Expansion module



Page 316



Page 307

Cpro-ECblue

for three phase alternating current, 380-480 V

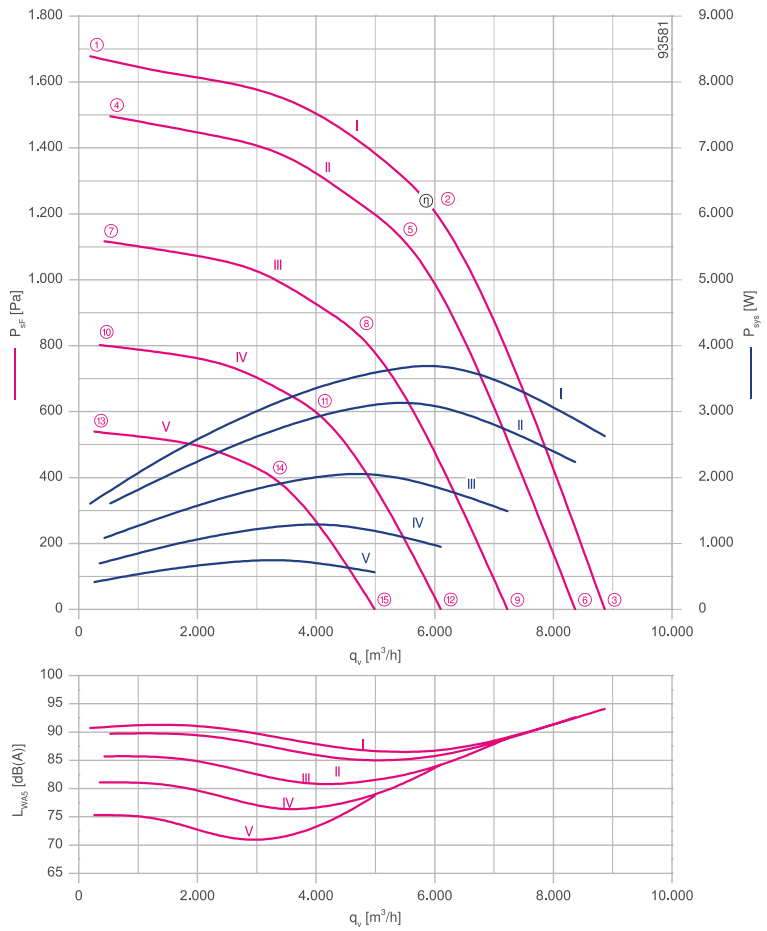
RH40C-ZIK



Description

Motor technology: EC
 Rated voltage U_N : 3-380-480 V*
 Rated frequency f_N : 50/60 Hz*
 Input power P_{sys} : 3.70 kW*
 Rated current I_N : 6.00-4.80 A*
 Rated speed n_N : 2810 min⁻¹*
 Thermal class: THCL155*
 Min. permitted ambient temperature t_R : -35 °C
 Max. permitted ambient temperature $t_{R,max}$: 55 °C
 Electrical connection: Integrated controller
 Balancing quality: G 2.5
 Degree of protection : IP54
 Motor protection: Integrated active temperature management
 Impeller : ZAmid, uncoated, black
 Conformity: CE
 *Rated data

Characteristic curve

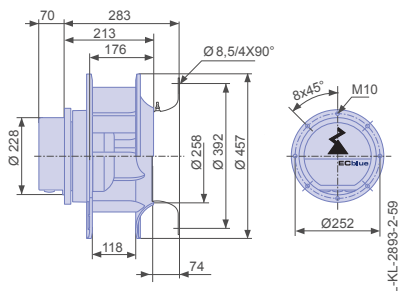


Measured with inlet ring, without guard grille according to ISO 5801

| | | | |
|--------------------|----------|---------------|----------|
| Inlet ring | 00411855 | RAL 7032 | Page 302 |
| | | (pebble grey) | |
| Inlet ring | 00411848 | unpainted | |
| Connection diagram | 1360-403 | | Page 326 |

Dimensions mm

Free-running motorized impeller RH
in installation position H/Vu/Vo



Performance data

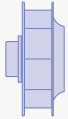
| Type | Characteristic curve | Speed | Operating point | Current | Input power | Suction side sound power level | Maximum ambient temperature |
|-----------------|----------------------|------------------------|-----------------|---------|-----------------------|--------------------------------|-----------------------------|
| | | n min ⁻¹ | | I A | P _{sys} W | L _{WAS} dB(A) | t _R °C |
| __40C-ZIK.GG.CR | I | 2810 | ① | 2.50 | 1600 | 91 | 55 |
| | | | ② | 5.60 | 3700 | 87 | |
| | | | ③ | 4.00 | 2600 | 94 | |
| | II | 2660 | ④ | 2.50 | 1600 | 90 | 60 |
| | | | ⑤ | 4.80 | 3100 | 85 | |
| | | | ⑥ | 3.40 | 2200 | 93 | |
| | III | 2300 | ⑦ | 1.70 | 1100 | 86 | 60 |
| | | | ⑧ | 3.10 | 2100 | 81 | |
| | | | ⑨ | 2.30 | 1500 | 89 | |
| | IV | 1950 | ⑩ | 1.20 | 700 | 81 | 60 |
| | | | ⑪ | 2.00 | 1300 | 77 | |
| | | | ⑫ | 1.55 | 960 | 84 | |
| | V | 1600 | ⑬ | 0.82 | 420 | 75 | 60 |
| | | | ⑭ | 1.25 | 740 | 71 | |
| | | | ⑮ | 1.00 | 560 | 79 | |

Current values determined at 400V

Fan ordering information

Design RH*

Installation position H/Vu/Vo



Type **RH40C-ZIK.GG.CR**

Article no. **115886**

Weight kg 20.00

* inlet ring not included

Control technology

Operating terminal

Expansion module



Page 316

Page 307

Cpro-ECblue

for three phase alternating current, 380-480 V

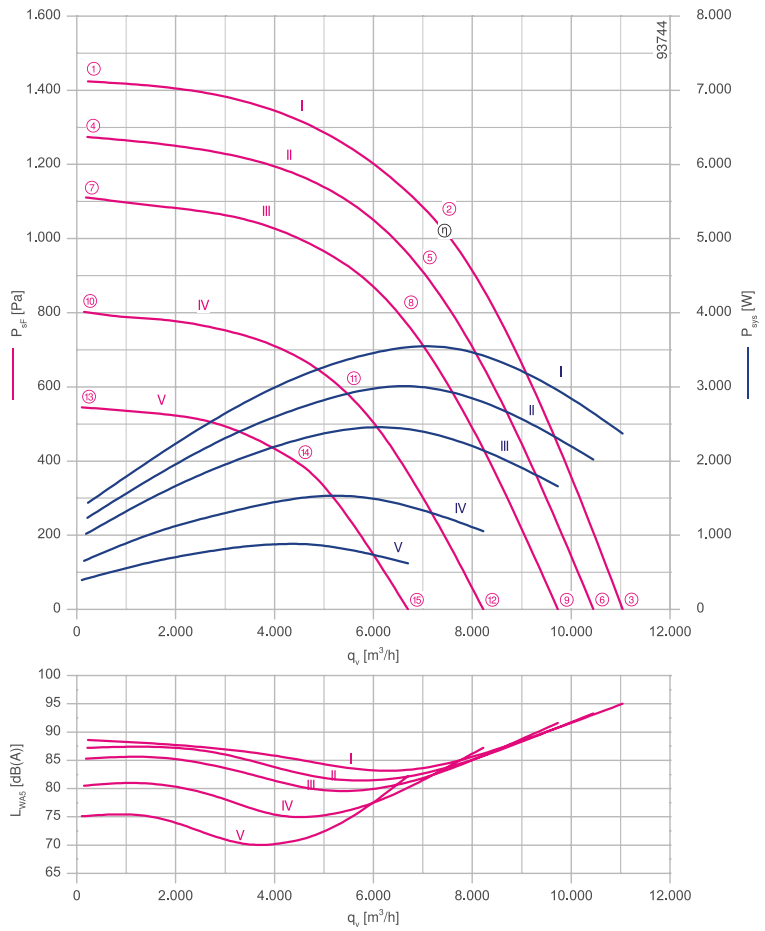
RH45C-ZIK



Description

Motor technology: EC
 Rated voltage U_N : 3-380-480 V*
 Rated frequency f_N : 50/60 Hz*
 Input power P_{sys} : 3.50 kW*
 Rated current I_N : 5.80-4.60 A*
 Rated speed n_N : 2260 min⁻¹*
 Thermal class: THCL155*
 Min. permitted ambient temperature t_R : -35 °C
 Max. permitted ambient temperature t_R at n_{max} : 55 °C
 Electrical connection: Integrated controller
 Balancing quality: G 2.5
 Degree of protection : IP54
 Motor protection: Integrated active temperature management
 Impeller : ZAmid, uncoated, black
 Conformity: CE
 *Rated data

Characteristic curve

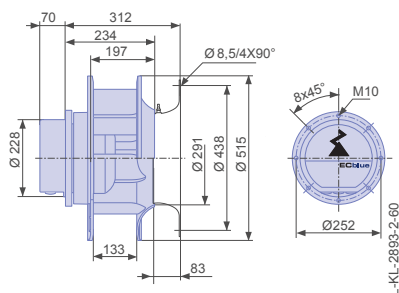


Measured with inlet ring, without guard grille according to ISO 5801

| | | | |
|--------------------|----------|---------------|----------|
| Inlet ring | 00411856 | RAL 7032 | Page 302 |
| | | (pebble grey) | |
| | | unpainted | |
| Inlet ring | 00411849 | | |
| Connection diagram | 1360-403 | | Page 326 |

Dimensions mm

Free-running motorized impeller RH
in installation position H/Vu/Vo



Performance data

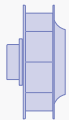
| Type | Characteristic curve | Speed | Operating point | Current | Input power | Suction side sound power level | Maximum ambient temperature |
|-----------------|----------------------|------------------------|-----------------|---------|-----------------------|--------------------------------|-----------------------------|
| | | n min ⁻¹ | | I A | P _{sys} W | L _{WAS} dB(A) | t _R °C |
| __45C-ZIK.GG.CR | I | 2260 | ① | 2.30 | 1450 | 89 | 55 |
| | | | ② | 5.40 | 3500 | 84 | |
| | | | ③ | 3.60 | 2400 | 95 | |
| | II | 2140 | ④ | 1.95 | 1250 | 87 | 60 |
| | | | ⑤ | 4.60 | 3000 | 82 | |
| | | | ⑥ | 3.10 | 2000 | 93 | |
| | III | 2000 | ⑦ | 1.65 | 1000 | 85 | 60 |
| | | | ⑧ | 3.80 | 2500 | 80 | |
| | | | ⑨ | 2.60 | 1650 | 92 | |
| | IV | 1700 | ⑩ | 1.15 | 660 | 81 | 60 |
| | | | ⑪ | 2.40 | 1550 | 76 | |
| | | | ⑫ | 1.70 | 1050 | 87 | |
| | V | 1400 | ⑬ | 0.82 | 400 | 75 | 60 |
| | | | ⑭ | 1.45 | 880 | 70 | |
| | | | ⑮ | 1.10 | 620 | 82 | |

Current values determined at 400V

Fan ordering information

Design RH*

Installation position H/Vu/Vo



Type RH45C-ZIK.GG.CR

Article no. 115887

Weight kg 22.00

* inlet ring not included

Control technology

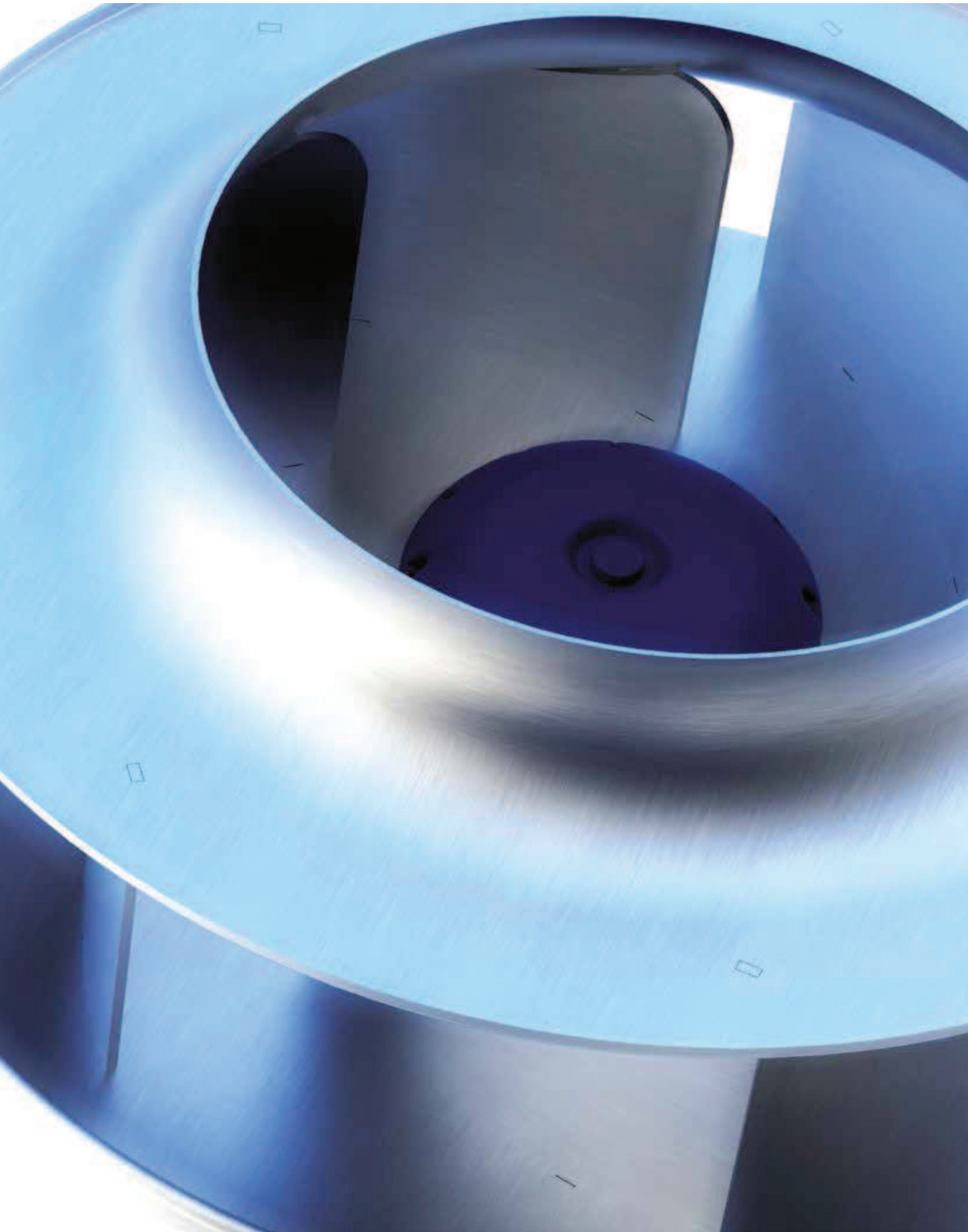
Operating terminal

Expansion module



Page 316

Page 307



C-series

EC technology

Product overview

| | |
|-----------------|----------|
| Quick selection | Page 108 |
| Size 250 | Page 110 |
| Size 280 | Page 112 |
| Size 315 | Page 114 |
| Size 355 | Page 120 |
| Size 400 | Page 124 |
| Size 450 | Page 130 |
| Size 500 | Page 138 |
| Size 560 | Page 140 |
| Size 630 | Page 142 |

Information

ZArail

Cpro-ECblue

C-ECblue

C series

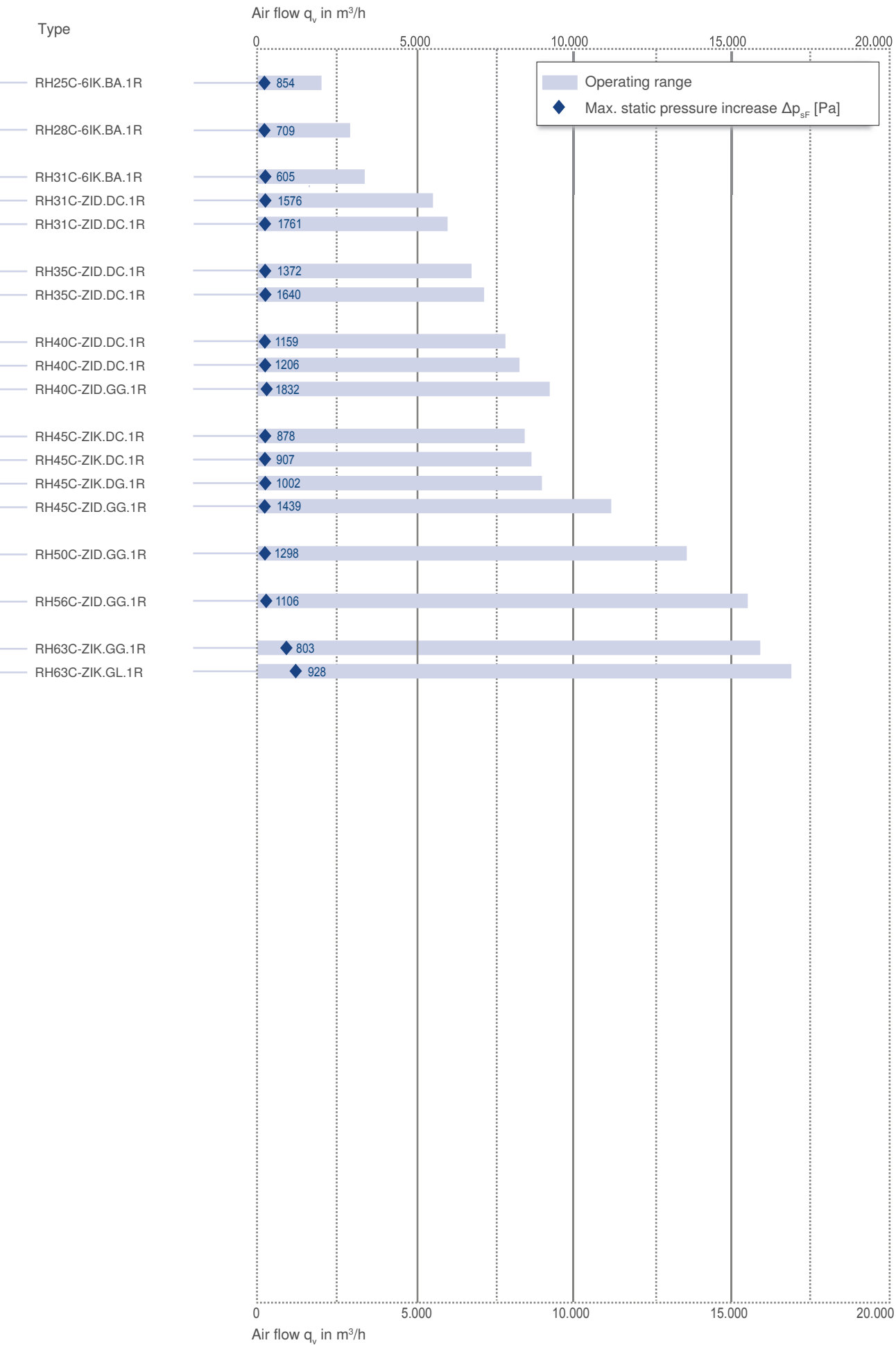
N series

M series

FE2owlet

| Size | Voltage | Type | Impeller position | Page |
|------|---------------|-----------------|-------------------|------|
| 250 | 110V | RH25C-6IK.BA.1R | K | 110 |
| 280 | 110V | RH28C-6IK.BA.1R | K | 112 |
| 315 | 110V | RH31C-6IK.BA.1R | K | 114 |
| | 3~ 200 - 240V | RH31C-ZID.DC.1R | D | 116 |
| | 3~ 380 - 480V | RH31C-ZID.DC.1R | D | 118 |
| 355 | 3~ 200 - 240V | RH35C-ZID.DC.1R | D | 120 |
| | 3~ 380 - 480V | RH35C-ZID.DC.1R | D | 122 |
| 400 | 3~ 200 - 240V | RH40C-ZID.DC.1R | D | 124 |
| | 3~ 380 - 480V | RH40C-ZID.DC.1R | D | 126 |
| | 3~ 380 - 480V | RH40C-ZID.GG.1R | D | 128 |
| 450 | 3~ 200 - 240V | RH45C-ZIK.DC.1R | K | 130 |
| | 3~ 380 - 480V | RH45C-ZIK.DC.1R | K | 132 |
| | 3~ 380 - 480V | RH45C-ZIK.DG.1R | K | 134 |
| | 3~ 380 - 480V | RH45C-ZID.GG.1R | D | 136 |
| 500 | 3~ 380 - 480V | RH50C-ZID.GG.1R | D | 138 |
| 560 | 3~ 380 - 480V | RH56C-ZID.GG.1R | D | 140 |
| 630 | 3~ 380 - 480V | RH63C-ZIK.GG.1R | K | 142 |
| | 3~ 380 - 480V | RH63C-ZIK.GL.1R | K | 144 |





- Information
- ZArail
- Cpro-ECblue
- C-ECblue**
- C series
- N series
- M series
- FE2owlet



C-ECblue

for direct current, 110 V

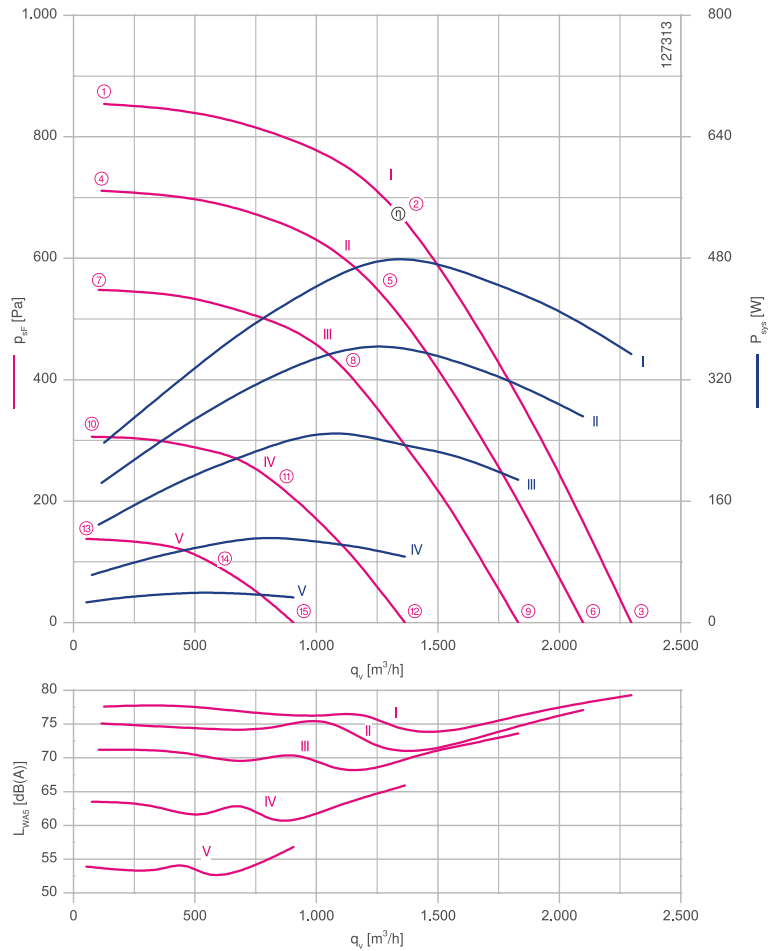
RH25C-6IK



Description

Motor technology: EC
 Rated voltage U_N : **DC110 V***
 Input power P_{sys} : **480 W***
 Rated current I_N : **4.40 A***
 Rated speed n_N : **3120 min⁻¹***
 Thermal class: **THCL155***
 Min. permitted ambient temperature t_{ri} : -35 °C
 Max. permitted ambient temperature t_{ra} at n_{max} : 50 °C
 Electrical connection: Integrated controller
 Balancing quality: G 6.3
 Degree of protection : IP54
 Motor protection: Integrated active temperature management
 Impeller : aluminium, uncoated
 Conformity: CE
 *Rated data

Characteristic curve

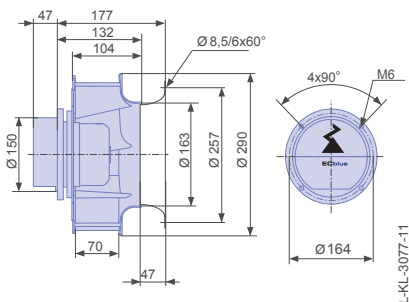


Measured with inlet ring, without guard grille according to ISO 5801

| | | | |
|--------------------|----------|---------------------------|----------|
| Inlet ring | 00401777 | RAL 7032 (pebble grey) | Page 302 |
| Inlet ring | 00400803 | unpainted | |
| Connection diagram | 1360-384 | | Page 326 |

Dimensions mm

Free-running motorized impeller RH
in installation position H/Vu/Vo



Performance data

| Type | Characteristic curve | Speed | Operating point | Current | Input power | Suction side sound power level | Maximum ambient temperature |
|-----------------|----------------------|------------------------|-----------------|---------|-----------------------|--------------------------------|-----------------------------|
| | | n min ⁻¹ | | I A | P _{sys} W | L _{WAS} dB(A) | t _R °C |
| RH25C-6IK.BA.1R | I | 3130 | ① | 2.10 | 240 | 78 | |
| | | 3120* | ② | 4.40* | 480 | 75 | 50 |
| | | 3120 | ③ | 3.20 | 350 | 79 | |
| | II | 2850 | ④ | 1.65 | 180 | 75 | |
| | | | ⑤ | 3.30 | 360 | 72 | 60 |
| | | | ⑥ | 2.50 | 270 | 77 | |
| | III | 2500 | ⑦ | 1.15 | 130 | 71 | |
| | | | ⑧ | 2.30 | 250 | 68 | 60 |
| | | | ⑨ | 1.70 | 190 | 74 | |
| | IV | 1870 | ⑩ | 0.56 | 65 | 64 | |
| | | | ⑪ | 1.00 | 110 | 61 | 60 |
| | | | ⑫ | 0.78 | 85 | 66 | |
| | V | 1250 | ⑬ | 0.24 | 26 | 54 | |
| | | | ⑭ | 0.35 | 40 | 53 | 60 |
| | | | ⑮ | 0.30 | 34 | 57 | |

*rated data

Fan ordering information

Design RH*

Installation position H/Vu/Vo



Type **RH25C-6IK.BA.1R**

Article no. **174661**

Weight kg 7.00

* inlet ring not included

Control technology

Operating terminal



Page 316

C-ECblue

for direct current, 110 V

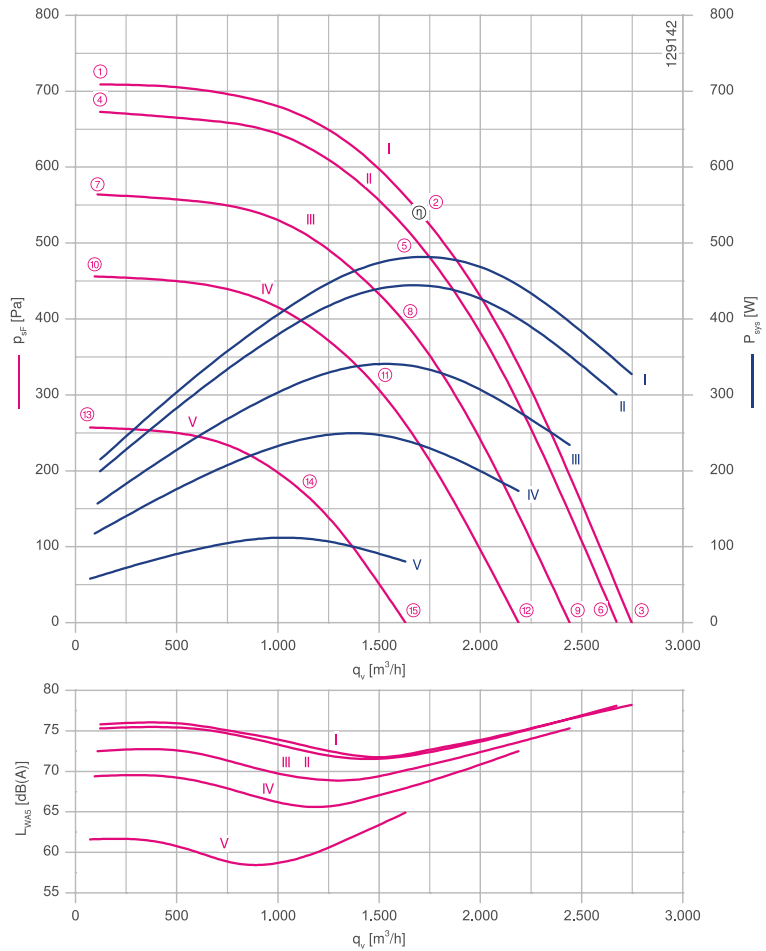
RH28C-6IK



Description

Motor technology: EC
 Rated voltage U_N : **DC110 V***
 Input power P_{sys} : **480 W***
 Rated current I_N : **4.40 A***
 Rated speed n_N : **2550 min⁻¹***
 Thermal class: **THCL155***
 Min. permitted ambient temperature t_R : -35 °C
 Max. permitted ambient temperature t_R at n_{max} : 40 °C
 Electrical connection: Integrated controller
 Balancing quality: G 6.3
 Degree of protection : IP54
 Motor protection: Integrated active temperature management
 Impeller: aluminium, uncoated
 Conformity: CE
 *Rated data

Characteristic curve

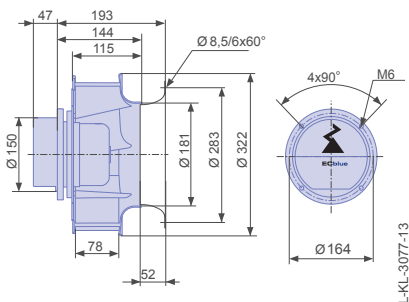


Measured with inlet ring, without guard grille according to ISO 5801

| | | | |
|--------------------|----------|---------------------------|----------|
| Inlet ring | 00401778 | RAL 7032 (pebble grey) | Page 302 |
| Inlet ring | 00400804 | unpainted | |
| Connection diagram | 1360-384 | | Page 326 |

Dimensions mm

Free-running motorized impeller RH
in installation position H/Vu/Vo



Performance data

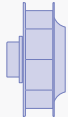
| Type | Characteristic curve | Speed | Operating point | Current | Input power | Suction side sound power level | Maximum ambient temperature |
|-----------------|----------------------|------------------------|-----------------|---------|-----------------------|--------------------------------|-----------------------------|
| | | n min ⁻¹ | | I A | P _{sys} W | L _{WAS} dB(A) | t _R °C |
| RH28C-6IK.BA.1R | I | 2550 | ① | 1.95 | 220 | 76 | |
| | | 2550* | ② | 4.40* | 480 | 72 | 40 |
| | | 2550 | ③ | 3.00 | 330 | 78 | |
| | II | 2480 | ④ | 1.80 | 200 | 75 | |
| | | | ⑤ | 4.20 | 440 | 72 | 50 |
| | | | ⑥ | 2.70 | 300 | 78 | |
| | III | 2270 | ⑦ | 1.40 | 160 | 73 | |
| | | | ⑧ | 3.10 | 340 | 70 | 60 |
| | | | ⑨ | 2.10 | 230 | 75 | |
| | IV | 2040 | ⑩ | 1.05 | 120 | 69 | |
| | | | ⑪ | 2.30 | 250 | 67 | 60 |
| | | | ⑫ | 1.55 | 170 | 73 | |
| | V | 1530 | ⑬ | 0.52 | 60 | 62 | |
| | | | ⑭ | 1.00 | 110 | 59 | 60 |
| | | | ⑮ | 0.72 | 80 | 65 | |

*rated data

Fan ordering information

Design RH*

Installation position H/Vu/Vo



Type **RH28C-6IK.BA.1R**

Article no. **174663**

Weight kg 5.00

* inlet ring not included

Control technology

Operating terminal



Page 316

C-ECblue

for direct current, 110 V

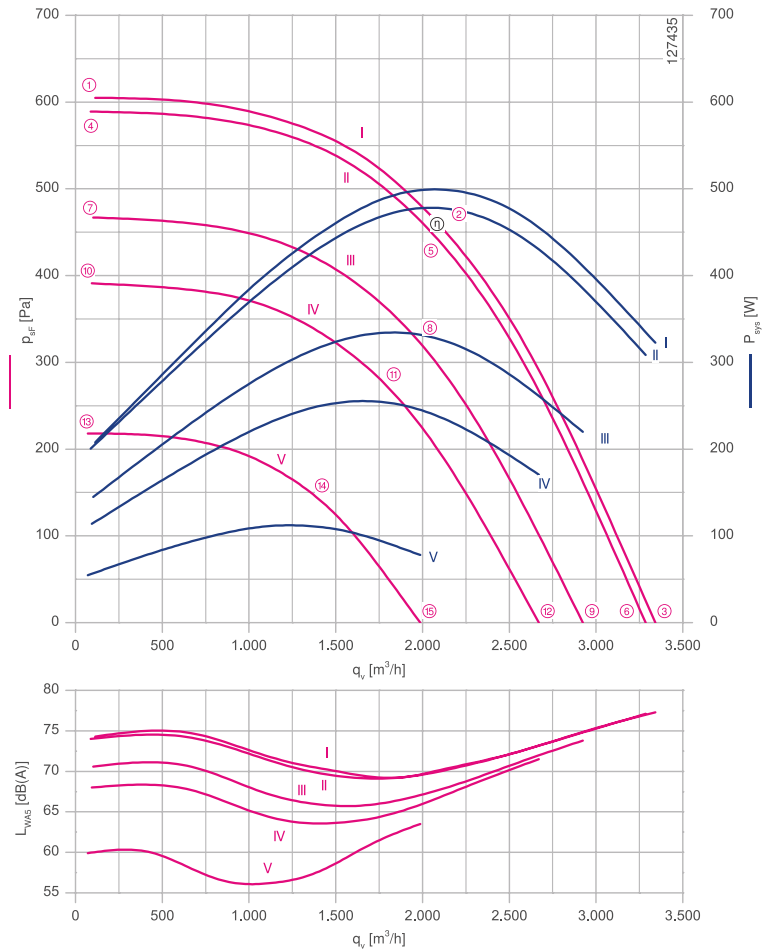
RH31C-6IK



Description

Motor technology: EC
 Rated voltage U_N : **DC110 V***
 Input power P_{sys} : **500 W***
 Rated current I_N : **4.60 A***
 Rated speed n_N : **2120 min⁻¹***
 Thermal class: **THCL155***
 Min. permitted ambient temperature t_R : -35 °C
 Max. permitted ambient temperature t_R at n_{max} : 45 °C
 Electrical connection: Integrated controller
 Balancing quality: G 6.3
 Degree of protection : IP54
 Motor protection: Integrated active temperature management
 Impeller : aluminium, uncoated
 Conformity: CE
 *Rated data

Characteristic curve

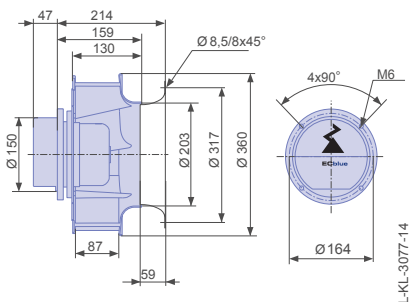


Measured with inlet ring, without guard grille according to ISO 5801

| | | | |
|--------------------|----------|---------------------------|----------|
| Inlet ring | 00411853 | RAL 7032 (pebble grey) | Page 302 |
| Inlet ring | 00411846 | unpainted | |
| Connection diagram | 1360-384 | | Page 326 |

Dimensions mm

Free-running motorized impeller RH
in installation position H/Vu/Vo



Performance data

| Type | Characteristic curve | Speed | Operating point | Current | Input power | Suction side sound power level | Maximum ambient temperature |
|-----------------|----------------------|------------------------|-----------------|---------|-----------------------|--------------------------------|-----------------------------|
| | | n min ⁻¹ | | I A | P _{sys} W | L _{WAS} dB(A) | t _R °C |
| RH31C-6IK.BA.1R | I | 2120 | ① | 1.85 | 210 | 74 | |
| | | 2120* | ② | 4.60* | 500 | 70 | 45 |
| | | 2120 | ③ | 2.90 | 320 | 77 | |
| | II | 2090 | ④ | 1.80 | 200 | 74 | |
| | | | ⑤ | 4.40 | 480 | 70 | 50 |
| | | | ⑥ | 2.80 | 310 | 77 | |
| | III | 1860 | ⑦ | 1.30 | 140 | 71 | |
| | | | ⑧ | 3.00 | 330 | 67 | 60 |
| | | | ⑨ | 2.00 | 220 | 74 | |
| | IV | 1700 | ⑩ | 1.05 | 110 | 68 | |
| | | | ⑪ | 2.30 | 250 | 64 | 60 |
| | | | ⑫ | 1.55 | 170 | 72 | |
| | V | 1270 | ⑬ | 0.50 | 55 | 60 | |
| | | | ⑭ | 1.00 | 110 | 57 | 60 |
| | | | ⑮ | 0.70 | 80 | 64 | |

*rated data

Fan ordering information

Design RH*

Installation position H/Vu/Vo



Type RH31C-6IK.BA.1R

Article no. 174665

Weight kg 4.40

* inlet ring not included

Control technology

Operating terminal

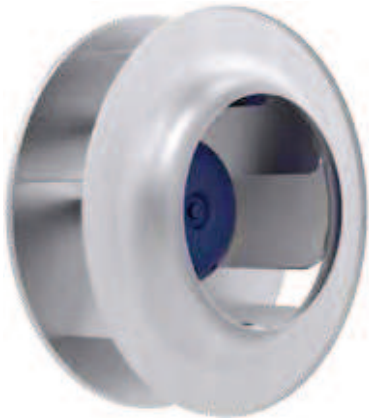


Page 316

C-ECblue

for three phase alternating current, 200-240 V

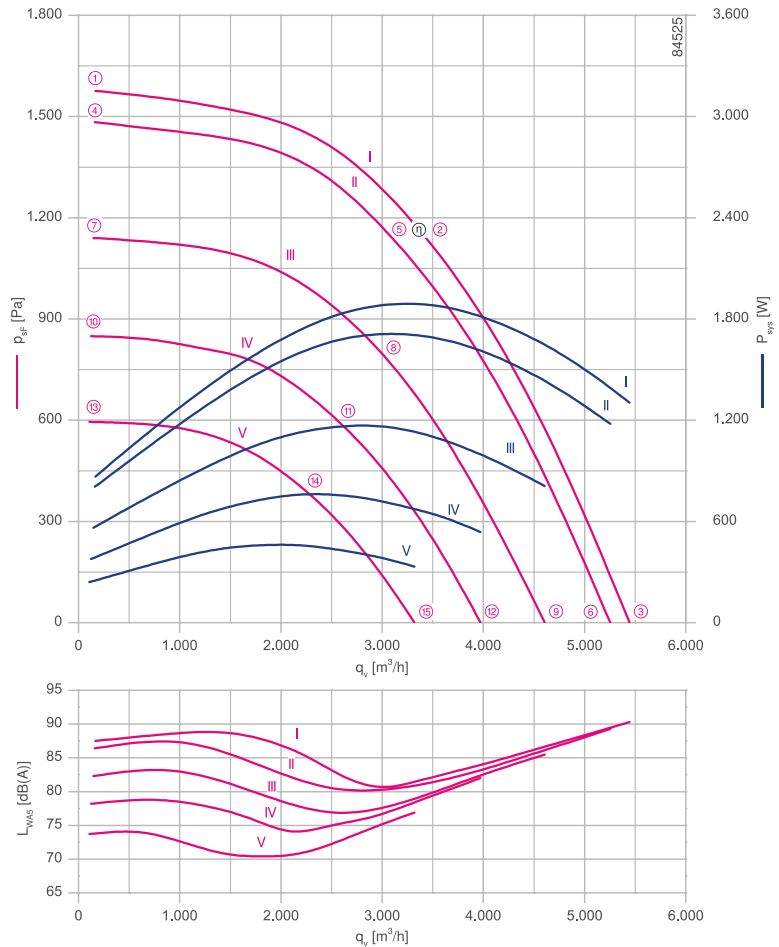
RH31C-ZID



Description

Motor technology: EC
 Rated voltage U_N : 3-200-240 V*
 Rated frequency f_N : 50/60 Hz*
 Input power P_{sys} : 1.90 kW*
 Rated current I_N : 5.90-4.90 A*
 Rated speed n_N : 3380 min⁻¹*
 Thermal class: THCL155*
 Min. permitted ambient temperature t_R : -35 °C
 Max. permitted ambient temperature $t_{R,max}$: 55 °C
 Electrical connection: Integrated controller
 Balancing quality: G 6.3
 Degree of protection : IP54
 Motor protection: Integrated active temperature management
 Impeller : aluminium, uncoated
 Conformity: CE
 *Rated data

Characteristic curve

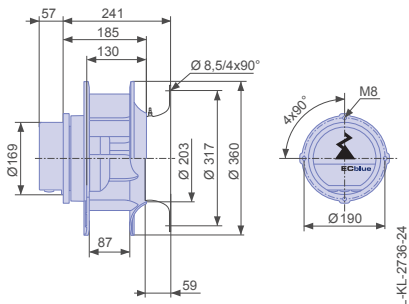


Measured with inlet ring, without guard grille according to ISO 5801

| | | | |
|--------------------|----------|---------------------------|----------|
| Inlet ring | 00411853 | RAL 7032 (pebble grey) | Page 302 |
| Inlet ring | 00411846 | unpainted | |
| Connection diagram | 1360-403 | | Page 326 |

Dimensions mm

Free-running motorized impeller RH
in installation position H/Vu/Vo



Performance data

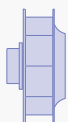
| Type | Characteristic curve | Speed | Operating point | Current | Input power | Suction side sound power level | Maximum ambient temperature |
|----------------|----------------------|------------------------|-----------------|---------|-----------------------|--------------------------------|-----------------------------|
| | | n min ⁻¹ | | I A | P _{sys} W | L _{WAS} dB(A) | t _R °C |
| _31C-ZID.DC.1R | I | 3380 | ① | 2.30 | 860 | 88 | 55 |
| | | | ② | 5.20 | 1900 | 82 | |
| | | | ③ | 3.50 | 1300 | 90 | |
| | II | 3270 | ④ | 2.20 | 800 | 86 | 60 |
| | | | ⑤ | 4.60 | 1700 | 80 | |
| | | | ⑥ | 3.20 | 1200 | 89 | |
| | III | 2870 | ⑦ | 1.55 | 560 | 82 | 60 |
| | | | ⑧ | 3.10 | 1150 | 78 | |
| | | | ⑨ | 2.20 | 800 | 86 | |
| | IV | 2480 | ⑩ | 1.10 | 380 | 78 | 60 |
| | | | ⑪ | 2.10 | 760 | 75 | |
| | | | ⑫ | 1.50 | 540 | 82 | |
| | V | 2070 | ⑬ | 0.74 | 240 | 74 | 60 |
| | | | ⑭ | 1.30 | 460 | 71 | |
| | | | ⑮ | 0.96 | 330 | 77 | |

Current values determined at 230V

Fan ordering information

Design RH*

Installation position H/Vu/Vo



Type RH31C-ZID.DC.1R

Article no. 171863

Weight kg 10.00

* inlet ring not included

Control technology

Operating terminal

Expansion module



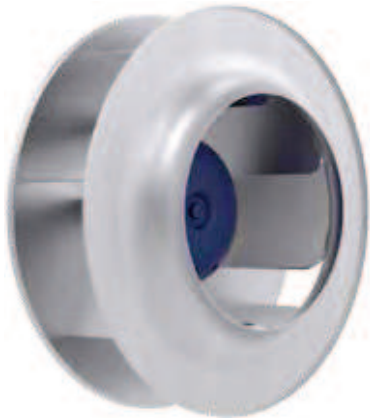
Page 316

Page 307

C-ECblue

for three phase alternating current, 380-480 V

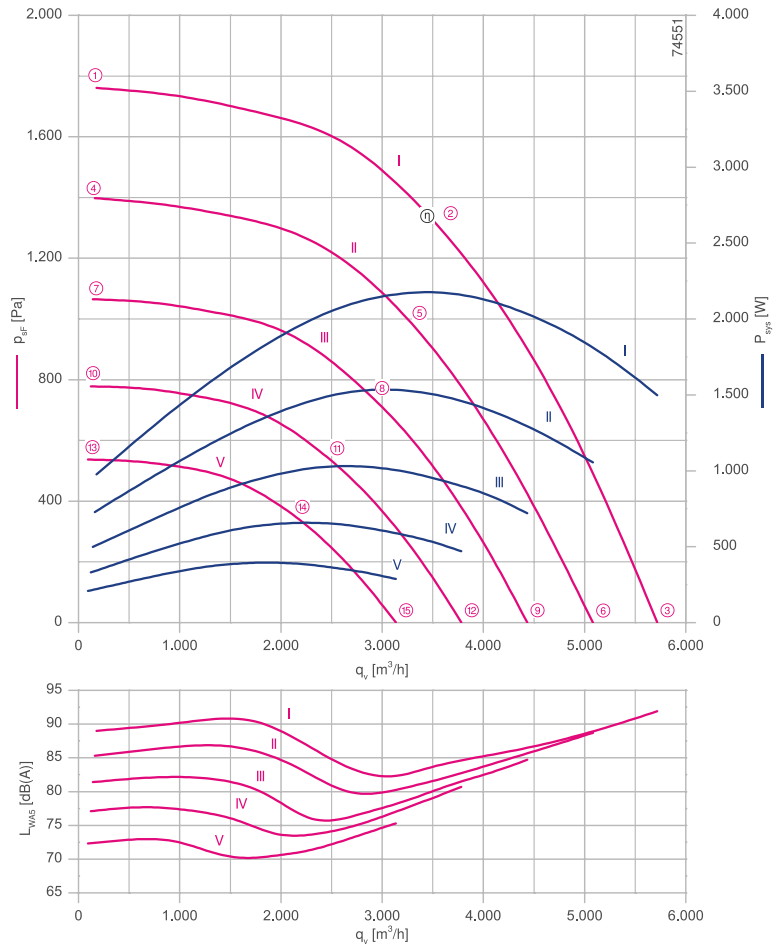
RH31C-ZID



Description

Motor technology: EC
 Rated voltage U_N : 3-380-480 V*
 Rated frequency f_N : 50/60 Hz*
 Input power P_{sys} : 2.20 kW*
 Rated current I_N : 3.60-2.85 A*
 Rated speed n_N : 3550 min⁻¹*
 Thermal class: THCL155*
 Min. permitted ambient temperature t_R : -35 °C
 Max. permitted ambient temperature t_R at n_{max} : 60 °C
 Electrical connection: Integrated controller
 Balancing quality: G 6.3
 Degree of protection : IP54
 Motor protection: Integrated active temperature management
 Impeller : aluminium, uncoated
 Conformity: CE
 *Rated data

Characteristic curve

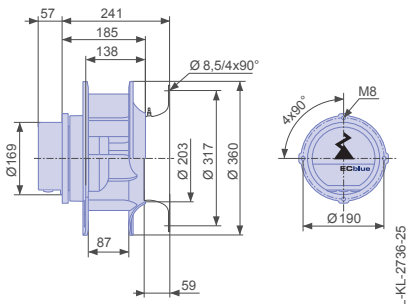


Measured with inlet ring, without guard grille according to ISO 5801

| | | | |
|--------------------|----------|---------------|----------|
| Inlet ring | 00411853 | RAL 7032 | Page 302 |
| | | (pebble grey) | |
| | | unpainted | |
| Inlet ring | 00411846 | | |
| Connection diagram | 1360-403 | | Page 326 |

Dimensions mm

Free-running motorized impeller RH
in installation position H/Vu/Vo



Performance data


| Type | Characteristic curve | Speed | Operating point | Current | Input power | Suction side sound power level |
|----------------|----------------------|------------------------|-----------------|---------|-----------------------|--------------------------------|
| | | n min ⁻¹ | | I A | P _{sys} W | L _{WA5} dB(A) |
| _31C-ZID.DC.1R | I | 3550 | ① | 1.70 | 980 | 89 |
| | | | ② | 3.40 | 2200 | 84 |
| | | | ③ | 2.40 | 1500 | 92 |
| | II | 3150 | ④ | 1.40 | 720 | 85 |
| | | | ⑤ | 2.60 | 1550 | 81 |
| | | | ⑥ | 1.85 | 1050 | 89 |
| | III | 2750 | ⑦ | 1.10 | 500 | 81 |
| | | | ⑧ | 1.85 | 1050 | 77 |
| | | | ⑨ | 1.40 | 720 | 85 |
| | IV | 2350 | ⑩ | 0.84 | 330 | 77 |
| | | | ⑪ | 1.35 | 660 | 74 |
| | | | ⑫ | 1.10 | 460 | 81 |
| | V | 1950 | ⑬ | 0.60 | 210 | 72 |
| | | | ⑭ | 0.98 | 400 | 71 |
| | | | ⑮ | 0.76 | 290 | 75 |

Current values determined at 400V

Fan ordering information

Design RH*

Installation position H/Vu/Vo

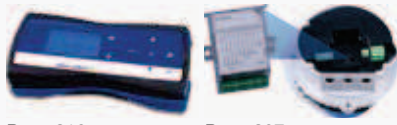


Type RH31C-ZID.DC.1R
Article no. 171864

Weight kg 10.00
* inlet ring not included

Control technology

Operating terminal Expansion module

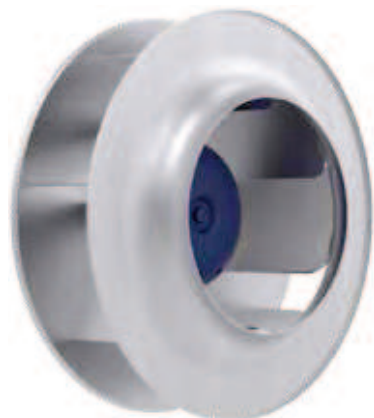


Page 316 Page 307

C-ECblue

for three phase alternating current, 200-240 V

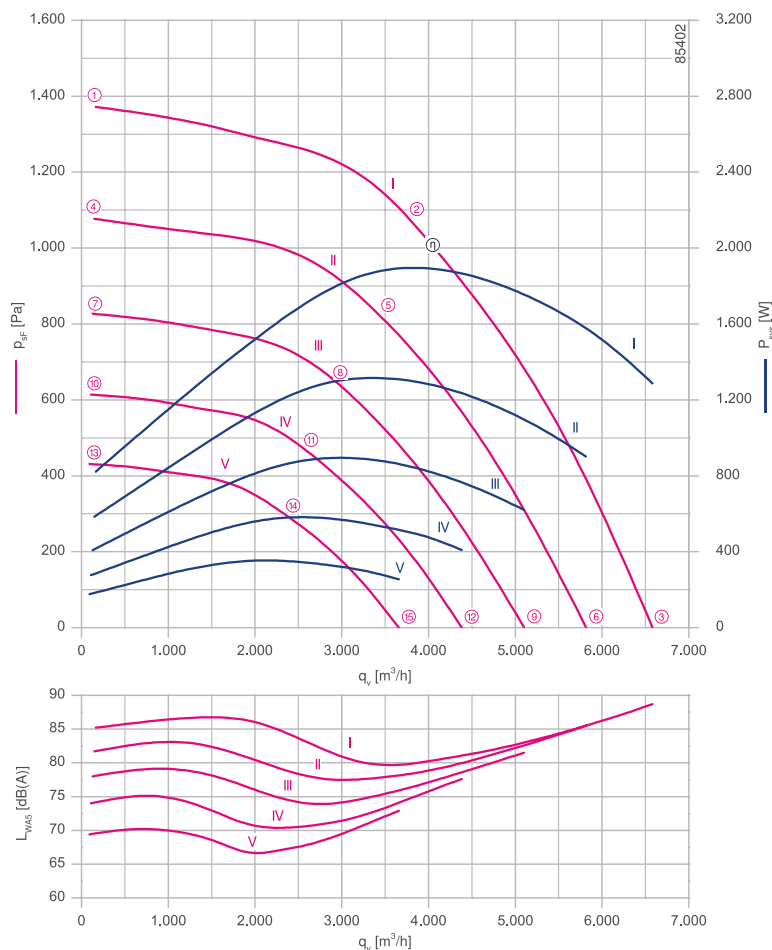
RH35C-ZID



Description

Motor technology: EC
 Rated voltage U_N : 3-200-240 V*
 Rated frequency f_N : 50/60 Hz*
 Input power P_{sys} : 1.90 kW*
 Rated current I_N : 5.90-4.90 A*
 Rated speed n_N : 2770 min⁻¹*
 Thermal class: THCL155*
 Min. permitted ambient temperature t_R : -35 °C
 Max. permitted ambient temperature t_R at n_{max} : 60 °C
 Electrical connection: Integrated controller
 Balancing quality: G 6.3
 Degree of protection : IP54
 Motor protection: Integrated active temperature management
 Impeller : aluminium, uncoated
 Conformity: CE
 *Rated data

Characteristic curve

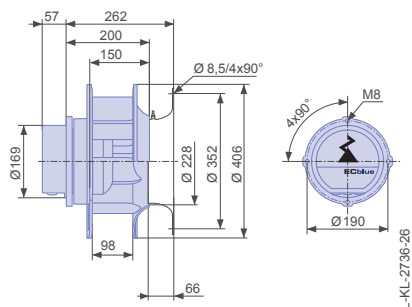


Measured with inlet ring, without guard grille according to ISO 5801

| | | | |
|--------------------|----------|---------------|----------|
| Inlet ring | 00411854 | RAL 7032 | Page 302 |
| | | (pebble grey) | |
| | | unpainted | |
| Inlet ring | 00411847 | | |
| Connection diagram | 1360-403 | | Page 326 |

Dimensions mm

Free-running motorized impeller RH
in installation position H/Vu/Vo



Performance data


| Type | Characteristic curve | Speed | Operating point | Current | Input power | Suction side sound power level |
|----------------|----------------------|------------------------|-----------------|---------|-----------------------|--------------------------------|
| | | n min ⁻¹ | | I A | P _{sys} W | L _{WA5} dB(A) |
| _35C-ZID.DC.1R | I | 2770 | ① | 2.30 | 820 | 85 |
| | | | ② | 5.20 | 1900 | 80 |
| | | | ③ | 3.50 | 1300 | 89 |
| | II | 2450 | ④ | 1.65 | 580 | 82 |
| | | | ⑤ | 3.60 | 1300 | 78 |
| | | | ⑥ | 2.50 | 900 | 86 |
| | III | 2150 | ⑦ | 1.15 | 400 | 78 |
| | | | ⑧ | 2.40 | 900 | 74 |
| | | | ⑨ | 1.75 | 620 | 82 |
| | IV | 1850 | ⑩ | 0.80 | 280 | 74 |
| | | | ⑪ | 1.60 | 580 | 70 |
| | | | ⑫ | 1.15 | 400 | 78 |
| | V | 1550 | ⑬ | 0.54 | 180 | 69 |
| | | | ⑭ | 1.00 | 350 | 67 |
| | | | ⑮ | 0.74 | 250 | 73 |

Current values determined at 230V

Fan ordering information

Design RH*

Installation position H/Vu/Vo

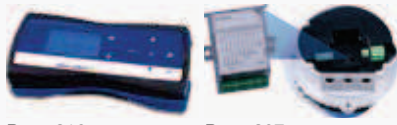


Type RH35C-ZID.DC.1R
Article no. 171865

Weight kg 10.00
* inlet ring not included

Control technology

Operating terminal Expansion module

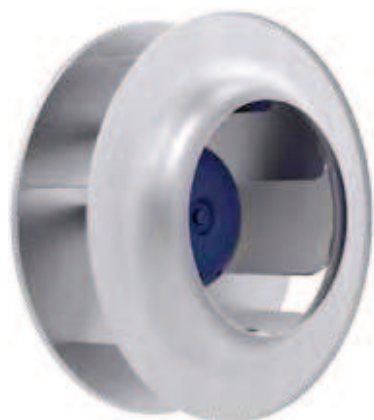


Page 316 Page 307

C-ECblue

for three phase alternating current, 380-480 V

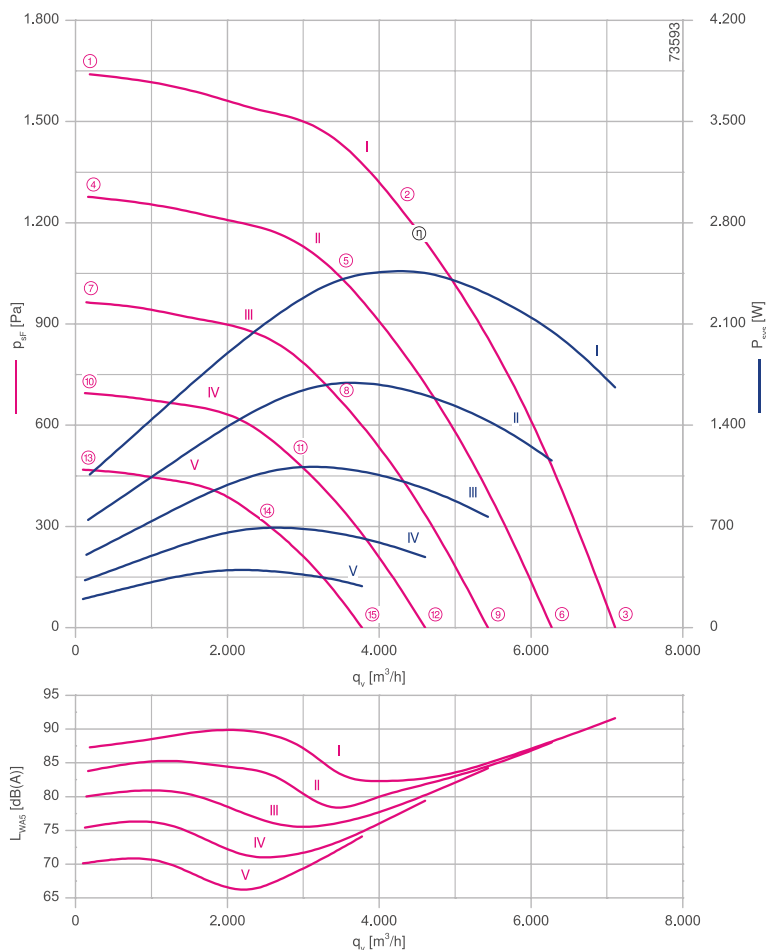
RH35C-ZID



Description

Motor technology: EC
 Rated voltage U_N : 3-380-480 V*
 Rated frequency f_N : 50/60 Hz*
 Input power P_{sys} : 2.50 kW*
 Rated current I_N : 4.00-3.20 A*
 Rated speed n_N : 3000 min⁻¹*
 Thermal class: THCL155*
 Min. permitted ambient temperature t_R : -35 °C
 Max. permitted ambient temperature t_R at n_{max} : 50 °C
 Electrical connection: Integrated controller
 Balancing quality: G 6.3
 Degree of protection : IP54
 Motor protection: Integrated active temperature management
 Impeller : aluminium, uncoated
 Conformity: CE
 *Rated data

Characteristic curve

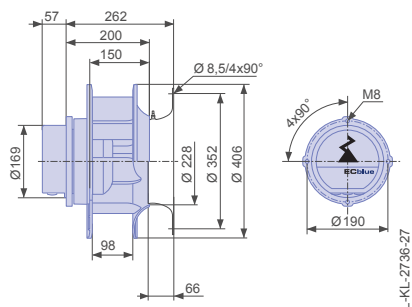


Measured with inlet ring, without guard grille according to ISO 5801

| | | | |
|--------------------|----------|---------------------------|----------|
| Inlet ring | 00411854 | RAL 7032 (pebble grey) | Page 302 |
| Inlet ring | 00411847 | unpainted | |
| Connection diagram | 1360-403 | | Page 326 |

Dimensions mm

Free-running motorized impeller RH
in installation position H/Vu/Vo



Performance data

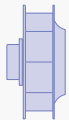
| Type | Characteristic curve | Speed | Operating point | Current | Input power | Suction side sound power level | Maximum ambient temperature |
|-----------------|----------------------|------------------------|-----------------|---------|-----------------------|--------------------------------|-----------------------------|
| | | n min ⁻¹ | | I A | P _{sys} W | L _{WAS} dB(A) | |
| __35C-ZID.DC.1R | I | 3000 | ① | 1.85 | 1050 | 87 | 50 |
| | | | ② | 3.80 | 2500 | 82 | |
| | | | ③ | 2.70 | 1650 | 92 | |
| | II | 2650 | ④ | 1.40 | 740 | 84 | 60 |
| | | | ⑤ | 2.80 | 1700 | 79 | |
| | | | ⑥ | 2.00 | 1150 | 88 | |
| | III | 2300 | ⑦ | 1.10 | 500 | 80 | 60 |
| | | | ⑧ | 1.90 | 1100 | 76 | |
| | | | ⑨ | 1.45 | 760 | 84 | |
| | IV | 1950 | ⑩ | 0.84 | 330 | 75 | 60 |
| | | | ⑪ | 1.35 | 700 | 71 | |
| | | | ⑫ | 1.05 | 480 | 79 | |
| | V | 1600 | ⑬ | 0.54 | 200 | 70 | 60 |
| | | | ⑭ | 0.94 | 400 | 66 | |
| | | | ⑮ | 0.76 | 290 | 74 | |

Current values determined at 400V

Fan ordering information

Design RH*

Installation position H/Vu/Vo



Type RH35C-ZID.DC.1R

Article no. 171866

Weight kg 10.00

* inlet ring not included

Control technology

Operating terminal

Expansion module



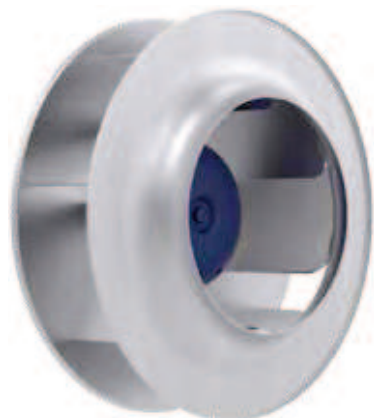
Page 316

Page 307

C-ECblue

for three phase alternating current, 200-240 V

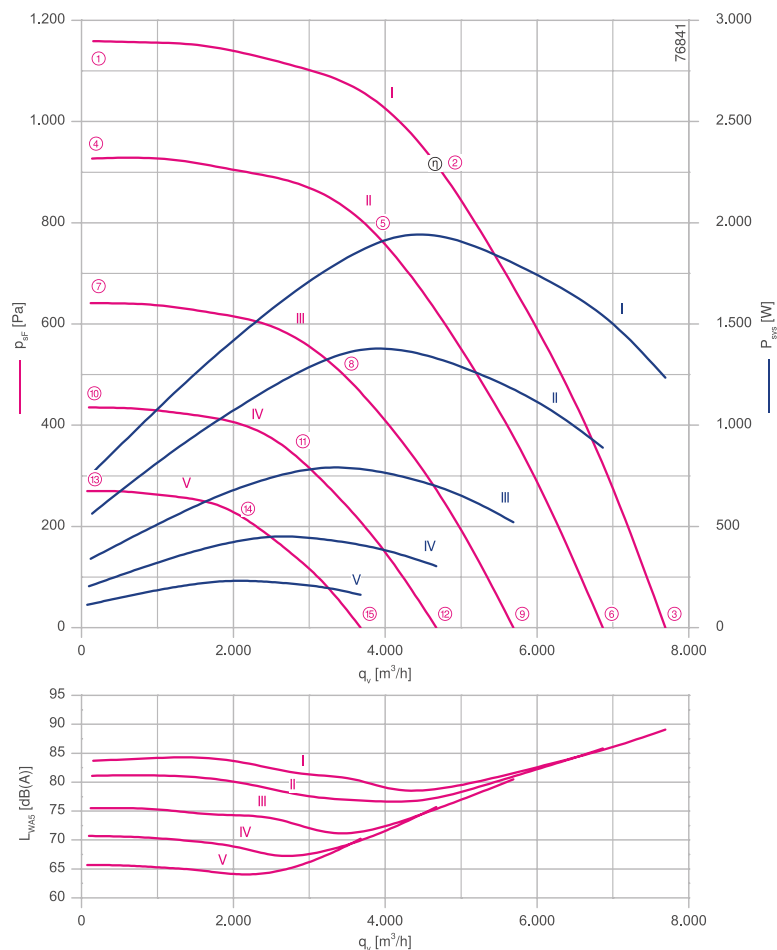
RH40C-ZID



Description

Motor technology: EC
 Rated voltage U_N : 3-200-240 V*
 Rated frequency f_N : 50/60 Hz*
 Input power P_{sys} : 1.95 kW*
 Rated current I_N : 5.90-4.90 A*
 Rated speed n_N : 2300 min⁻¹*
 Thermal class: THCL155*
 Min. permitted ambient temperature t_R : -35 °C
 Max. permitted ambient temperature $t_{R,max}$: 50 °C
 Electrical connection: Integrated controller
 Balancing quality: G 6.3
 Degree of protection : IP54
 Motor protection: Integrated active temperature management
 Impeller : aluminium, uncoated
 Conformity: CE
 *Rated data

Characteristic curve

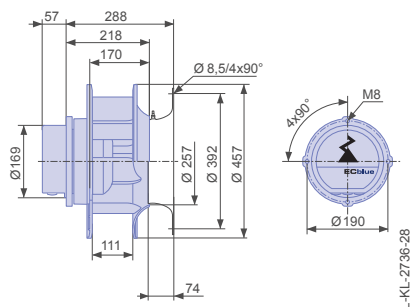


Measured with inlet ring, without guard grille according to ISO 5801

| | | | |
|--------------------|----------|---------------|----------|
| Inlet ring | 00411855 | RAL 7032 | Page 302 |
| | | (pebble grey) | |
| Inlet ring | 00411848 | unpainted | |
| Connection diagram | 1360-403 | | Page 326 |

Dimensions mm

Free-running motorized impeller RH
in installation position H/Vu/Vo



Performance data

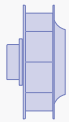
| Type | Characteristic curve | Speed | Operating point | Current | Input power | Suction side sound power level | Maximum ambient temperature |
|-----------------|----------------------|------------------------|-----------------|---------|-----------------------|--------------------------------|-----------------------------|
| | | n min ⁻¹ | | I A | P _{sys} W | L _{WAS} dB(A) | |
| __40C-ZID.DC.1R | I | 2300 | ① | 2.00 | 760 | 84 | 50 |
| | | | ② | 5.20 | 1950 | 79 | |
| | | | ③ | 3.30 | 1250 | 89 | |
| | II | 2050 | ④ | 1.50 | 560 | 81 | 60 |
| | | | ⑤ | 3.70 | 1350 | 77 | |
| | | | ⑥ | 2.40 | 880 | 86 | |
| | III | 1700 | ⑦ | 0.94 | 340 | 76 | 60 |
| | | | ⑧ | 2.10 | 800 | 71 | |
| | | | ⑨ | 1.40 | 520 | 81 | |
| | IV | 1400 | ⑩ | 0.60 | 200 | 71 | 60 |
| | | | ⑪ | 1.25 | 460 | 67 | |
| | | | ⑫ | 0.86 | 300 | 76 | |
| | V | 1100 | ⑬ | 0.40 | 110 | 66 | 60 |
| | | | ⑭ | 0.70 | 230 | 64 | |
| | | | ⑮ | 0.52 | 160 | 70 | |

Current values determined at 230V

Fan ordering information

Design RH*

Installation position H/Vu/Vo



Type RH40C-ZID.DC.1R

Article no. 171867

Weight kg 10.60

* inlet ring not included

Control technology

Operating terminal

Expansion module



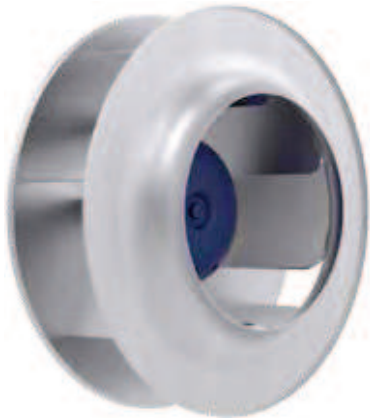
Page 316

Page 307

C-ECblue

for three phase alternating current, 380-480 V

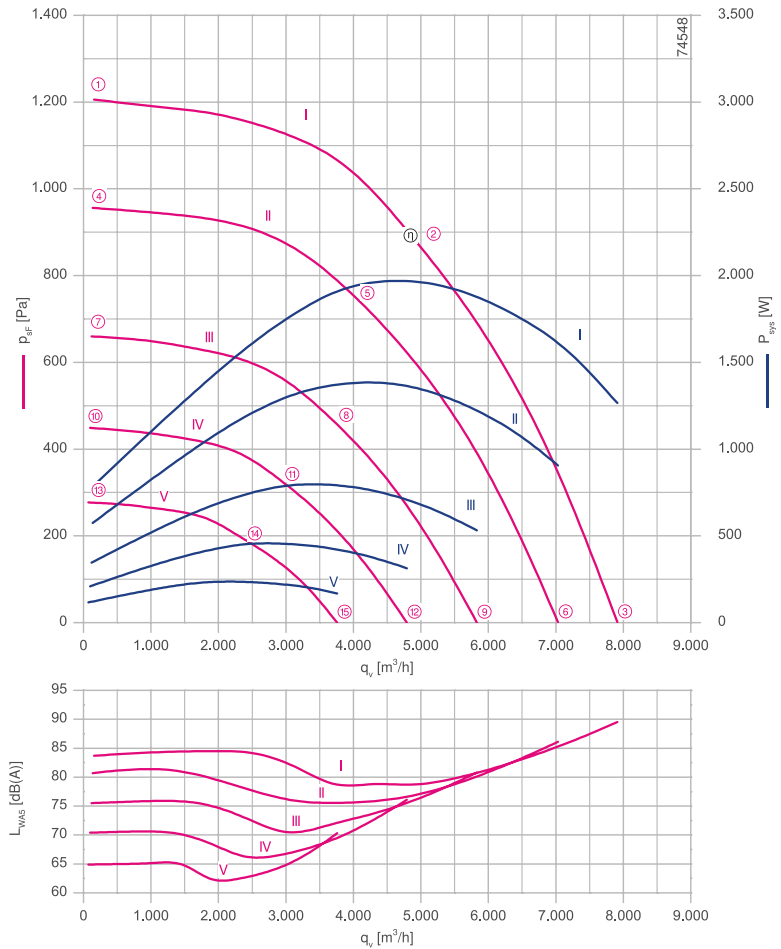
RH40C-ZID



Description

Motor technology: EC
 Rated voltage U_N : 3-380-480 V*
 Rated frequency f_N : 50/60 Hz*
 Input power P_{sys} : 1.95 kW*
 Rated current I_N : 3.30-2.60 A*
 Rated speed n_N : 2300 min⁻¹*
 Thermal class: THCL155*
 Min. permitted ambient temperature t_R : -35 °C
 Max. permitted ambient temperature $t_{R,max}$: 50 °C
 Electrical connection: Integrated controller
 Balancing quality: G 6.3
 Degree of protection : IP54
 Motor protection: Integrated active temperature management
 Impeller : aluminium, uncoated
 Conformity: CE
 *Rated data

Characteristic curve

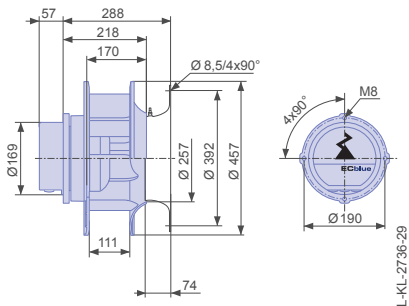


Measured with inlet ring, without guard grille according to ISO 5801

| | | | |
|--------------------|----------|---------------------------|----------|
| Inlet ring | 00411855 | RAL 7032 (pebble grey) | Page 302 |
| Inlet ring | 00411848 | unpainted | |
| Connection diagram | 1360-403 | | Page 326 |

Dimensions mm

Free-running motorized impeller RH
in installation position H/Vu/Vo



Performance data

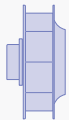
| Type | Characteristic curve | Speed | Operating point | Current | Input power | Suction side sound power level | Maximum ambient temperature |
|-----------------|----------------------|------------------------|-----------------|---------|-----------------------|--------------------------------|-----------------------------|
| | | n min ⁻¹ | | I A | P _{sys} W | L _{WAS} dB(A) | t _R °C |
| __40C-ZID.DC.1R | I | 2300 | ① | 1.45 | 800 | 84 | 50 |
| | | | ② | 3.10 | 1950 | 79 | |
| | | | ③ | 2.10 | 1250 | 90 | |
| | II | 2050 | ④ | 1.15 | 580 | 81 | 60 |
| | | | ⑤ | 2.30 | 1400 | 76 | |
| | | | ⑥ | 1.60 | 900 | 86 | |
| | III | 1700 | ⑦ | 0.84 | 350 | 76 | 60 |
| | | | ⑧ | 1.45 | 800 | 72 | |
| | | | ⑨ | 1.10 | 540 | 81 | |
| | IV | 1400 | ⑩ | 0.56 | 210 | 70 | 60 |
| | | | ⑪ | 1.00 | 460 | 67 | |
| | | | ⑫ | 0.80 | 310 | 76 | |
| | V | 1100 | ⑬ | 0.34 | 120 | 65 | 60 |
| | | | ⑭ | 0.62 | 240 | 62 | |
| | | | ⑮ | 0.46 | 170 | 70 | |

Current values determined at 400V

Fan ordering information

Design RH*

Installation position H/Vu/Vo



Type RH40C-ZID.DC.1R

Article no. 171868

Weight kg 10.60

* inlet ring not included

Control technology

Operating terminal

Expansion module



Page 316

Page 307

C-ECblue

for three phase alternating current, 380-480 V

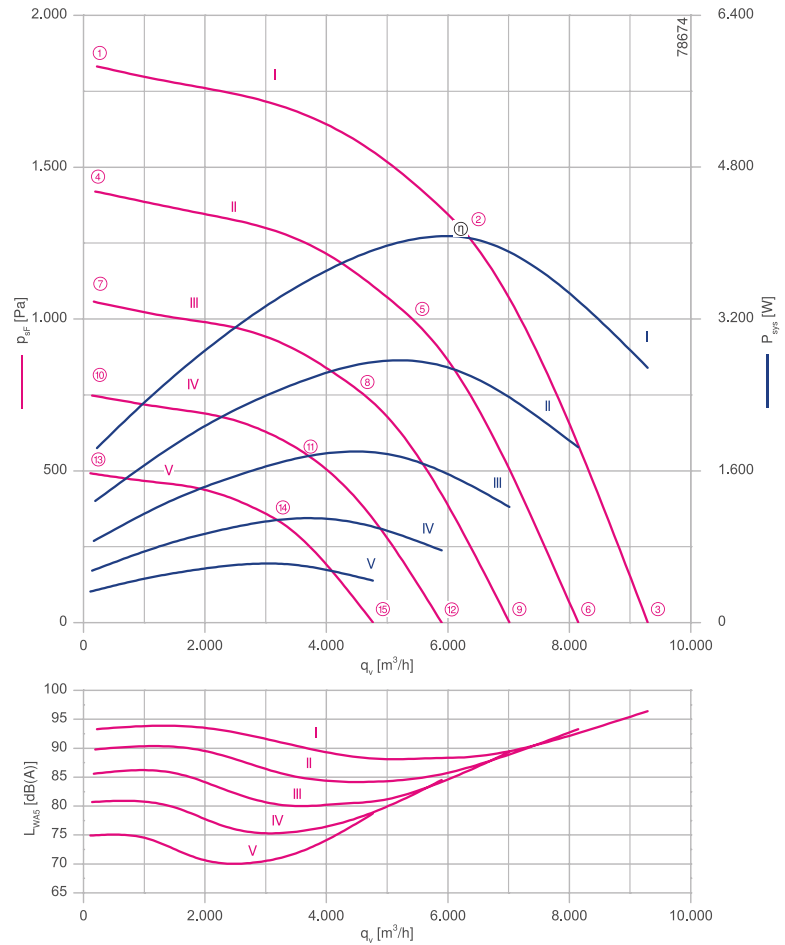
RH40C-ZID



Description

Motor technology: EC
 Rated voltage U_N : 3-380-480 V*
 Rated frequency f_N : 50/60 Hz*
 Input power P_{sys} : 4.10 kW*
 Rated current I_N : 6.50-5.20 A*
 Rated speed n_N : 2900 min⁻¹*
 Thermal class: THCL155*
 Min. permitted ambient temperature t_R : -35 °C
 Max. permitted ambient temperature t_R at n_{max} : 60 °C
 Electrical connection: Integrated controller
 Balancing quality: G 6.3
 Degree of protection : IP54
 Motor protection: Integrated active temperature management
 Impeller : aluminium, uncoated
 Conformity: CE
 *Rated data

Characteristic curve

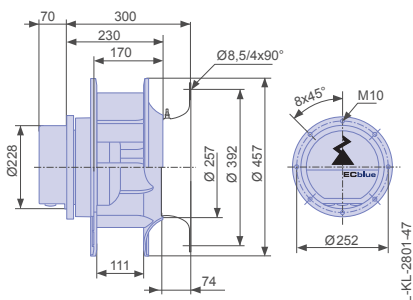


Measured with inlet ring, without guard grille according to ISO 5801

| | | | |
|--------------------|----------|---------------------------|----------|
| Inlet ring | 00411855 | RAL 7032 (pebble grey) | Page 302 |
| Inlet ring | 00411848 | unpainted | |
| Connection diagram | 1360-403 | | Page 326 |

Dimensions mm

Free-running motorized impeller RH
in installation position H/Vu/Vo



Performance data

| Type | Characteristic curve | Speed | Operating point | Current | Input power | Suction side sound power level |
|----------------|----------------------|------------------------|-----------------|---------|-----------------------|--------------------------------|
| | | n min ⁻¹ | | I A | P _{sys} W | L _{WA5} dB(A) |
| _40C-ZID.GG.1R | I | 2900 | ① | 2.90 | 1850 | 93 |
| | | | ② | 6.20 | 4000 | 88 |
| | | | ③ | 4.20 | 2700 | 96 |
| | II | 2550 | ④ | 2.10 | 1300 | 90 |
| | | | ⑤ | 4.40 | 2800 | 84 |
| | | | ⑥ | 2.90 | 1850 | 93 |
| | III | 2200 | ⑦ | 1.50 | 860 | 86 |
| | | | ⑧ | 2.90 | 1800 | 80 |
| | | | ⑨ | 2.00 | 1200 | 89 |
| | IV | 1850 | ⑩ | 1.10 | 540 | 81 |
| | | | ⑪ | 1.90 | 1100 | 76 |
| | | | ⑫ | 1.40 | 760 | 85 |
| | V | 1500 | ⑬ | 0.84 | 330 | 75 |
| | | | ⑭ | 1.20 | 620 | 70 |
| | | | ⑮ | 1.00 | 440 | 79 |

Current values determined at 400V

Fan ordering information

Design RH*

Installation position H/Vu/Vo



Type RH40C-ZID.GG.1R

Article no. 171869

Weight kg 20.00

* inlet ring not included

Control technology

Operating terminal

Expansion module



Page 316



Page 307

C-ECblue

for three phase alternating current, 200-240 V

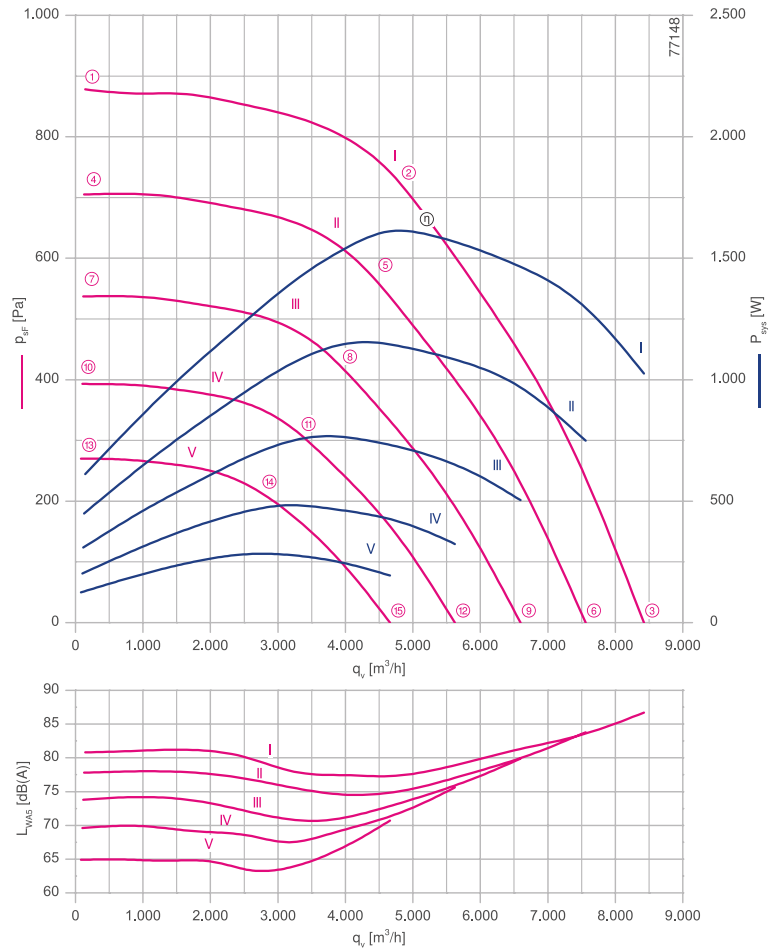
RH45C-ZIK



Description

Motor technology: EC
 Rated voltage U_N : 3-200-240 V*
 Rated frequency f_N : 50/60 Hz*
 Input power P_{sys} : 1.60 kW*
 Rated current I_N : 4.90-4.10 A*
 Rated speed n_N : 1750 min⁻¹*
 Thermal class: THCL155*
 Min. permitted ambient temperature t_R : -35 °C
 Max. permitted ambient temperature $t_{R,max}$: 40 °C
 Electrical connection: Integrated controller
 Balancing quality: G 6.3
 Degree of protection : IP54
 Motor protection: Integrated active temperature management
 Impeller : aluminium, uncoated
 Conformity: CE
 *Rated data

Characteristic curve

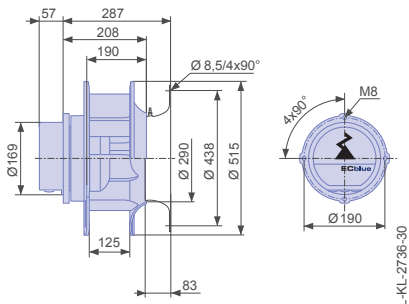


Measured with inlet ring, without guard grille according to ISO 5801

| | | | |
|--------------------|----------|---------------|----------|
| Inlet ring | 00411856 | RAL 7032 | Page 302 |
| | | (pebble grey) | |
| | | unpainted | |
| Inlet ring | 00411849 | | |
| Connection diagram | 1360-403 | | Page 326 |

Dimensions mm

Free-running motorized impeller RH
in installation position H/Vu/Vo



Performance data

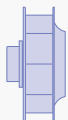
| Type | Characteristic curve | Speed | Operating point | Current | Input power | Suction side sound power level | Maximum ambient temperature |
|-----------------|----------------------|------------------------|-----------------|---------|-----------------------|--------------------------------|-----------------------------|
| | | n min ⁻¹ | | I A | P _{sys} W | L _{WAS} dB(A) | t _R °C |
| __45C-ZIK.DC.1R | I | 1750 | ① | 1.65 | 620 | 81 | |
| | | | ② | 4.20 | 1600 | 77 | 40 |
| | | | ③ | 2.70 | 1050 | 87 | |
| | II | 1570 | ④ | 1.25 | 440 | 78 | |
| | | | ⑤ | 3.10 | 1150 | 75 | 60 |
| | | | ⑥ | 2.00 | 740 | 84 | |
| | III | 1370 | ⑦ | 0.88 | 310 | 74 | |
| | | | ⑧ | 2.10 | 760 | 71 | 60 |
| | | | ⑨ | 1.35 | 500 | 80 | |
| | IV | 1170 | ⑩ | 0.62 | 200 | 70 | |
| | | | ⑪ | 1.35 | 480 | 68 | 60 |
| | | | ⑫ | 0.92 | 320 | 76 | |
| | V | 970 | ⑬ | 0.44 | 120 | 65 | |
| | | | ⑭ | 0.82 | 280 | 63 | 60 |
| | | | ⑮ | 0.60 | 190 | 71 | |

Current values determined at 230V

Fan ordering information

Design RH*

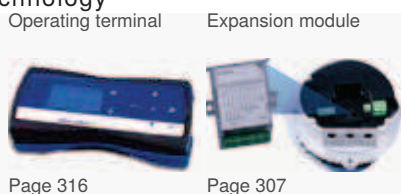
Installation position H/Vu/Vo



Type RH45C-ZIK.DC.1R
Article no. 171870

Weight kg 11.00
* inlet ring not included

Control technology



Page 316

Page 307

C-ECblue

for three phase alternating current, 380-480 V

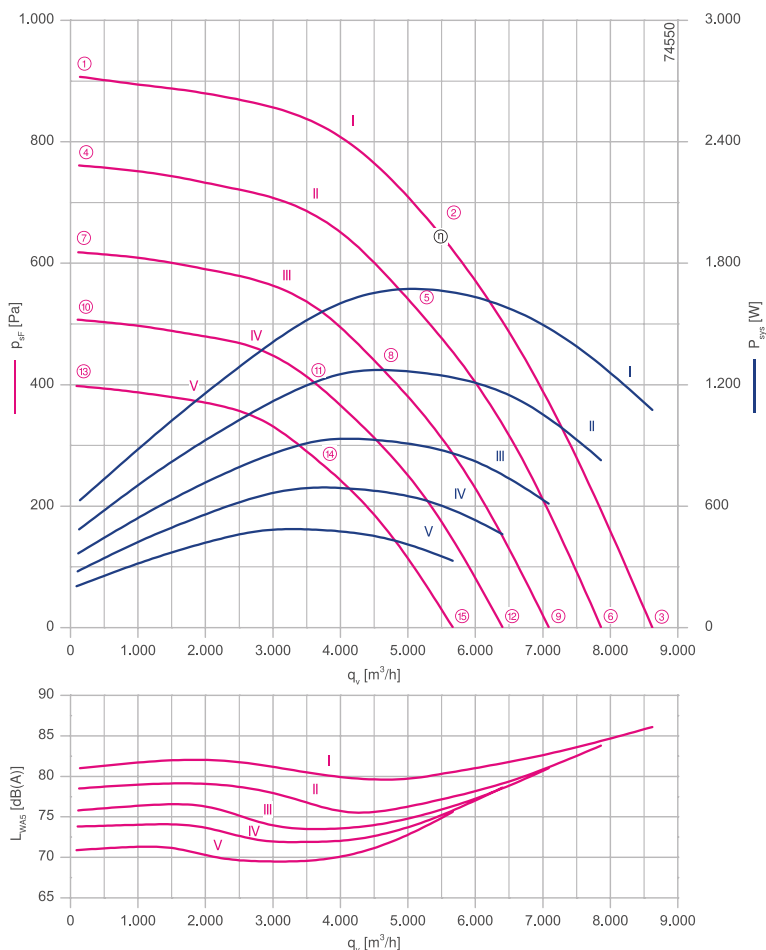
RH45C-ZIK



Description

Motor technology: EC
 Rated voltage U_N : 3-380-480 V*
 Rated frequency f_N : 50/60 Hz*
 Input power P_{sys} : 1.70 kW*
 Rated current I_N : 2.90-2.30 A*
 Rated speed n_N : 1770 min⁻¹*
 Thermal class: THCL155*
 Min. permitted ambient temperature t_R : -35 °C
 Max. permitted ambient temperature t_R at n_{max} : 40 °C
 Electrical connection: Integrated controller
 Balancing quality: G 6.3
 Degree of protection : IP54
 Motor protection: Integrated active temperature management
 Impeller : aluminium, uncoated
 Conformity: CE
 *Rated data

Characteristic curve

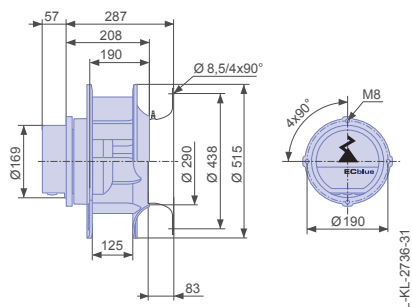


Measured with inlet ring, without guard grille according to ISO 5801

| | | | |
|--------------------|----------|---------------|----------|
| Inlet ring | 00411856 | RAL 7032 | Page 302 |
| | | (pebble grey) | |
| | | unpainted | |
| Inlet ring | 00411849 | | |
| Connection diagram | 1360-403 | | Page 326 |

Dimensions mm

Free-running motorized impeller RH
in installation position H/Vu/Vo



Performance data

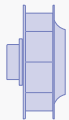
| Type | Characteristic curve | Speed | Operating point | Current | Input power | Suction side sound power level | Maximum ambient temperature |
|-----------------|----------------------|------------------------|-----------------|---------|-----------------------|--------------------------------|-----------------------------|
| | | n min ⁻¹ | | I A | P _{sys} W | L _{WAS} dB(A) | t _R °C |
| __45C-ZIK.DC.1R | I | 1770 | ① | 1.25 | 620 | 81 | |
| | | | ② | 2.70 | 1650 | 80 | 40 |
| | | | ③ | 1.85 | 1100 | 86 | |
| | II | 1620 | ④ | 1.05 | 480 | 79 | |
| | | | ⑤ | 2.10 | 1250 | 76 | 60 |
| | | | ⑥ | 1.50 | 820 | 84 | |
| | III | 1460 | ⑦ | 0.86 | 370 | 76 | |
| | | | ⑧ | 1.65 | 920 | 74 | 60 |
| | | | ⑨ | 1.20 | 620 | 81 | |
| | IV | 1320 | ⑩ | 0.72 | 280 | 74 | |
| | | | ⑪ | 1.30 | 680 | 72 | 60 |
| | | | ⑫ | 1.00 | 460 | 79 | |
| | V | 1170 | ⑬ | 0.58 | 200 | 71 | |
| | | | ⑭ | 1.05 | 480 | 70 | 60 |
| | | | ⑮ | 0.82 | 330 | 76 | |

Current values determined at 400V

Fan ordering information

Design RH*

Installation position H/Vu/Vo



Type RH45C-ZIK.DC.1R

Article no. 171871

Weight kg 11.00

* inlet ring not included

Control technology

Operating terminal

Expansion module



Page 316

Page 307

C-ECblue

for three phase alternating current, 380-480 V

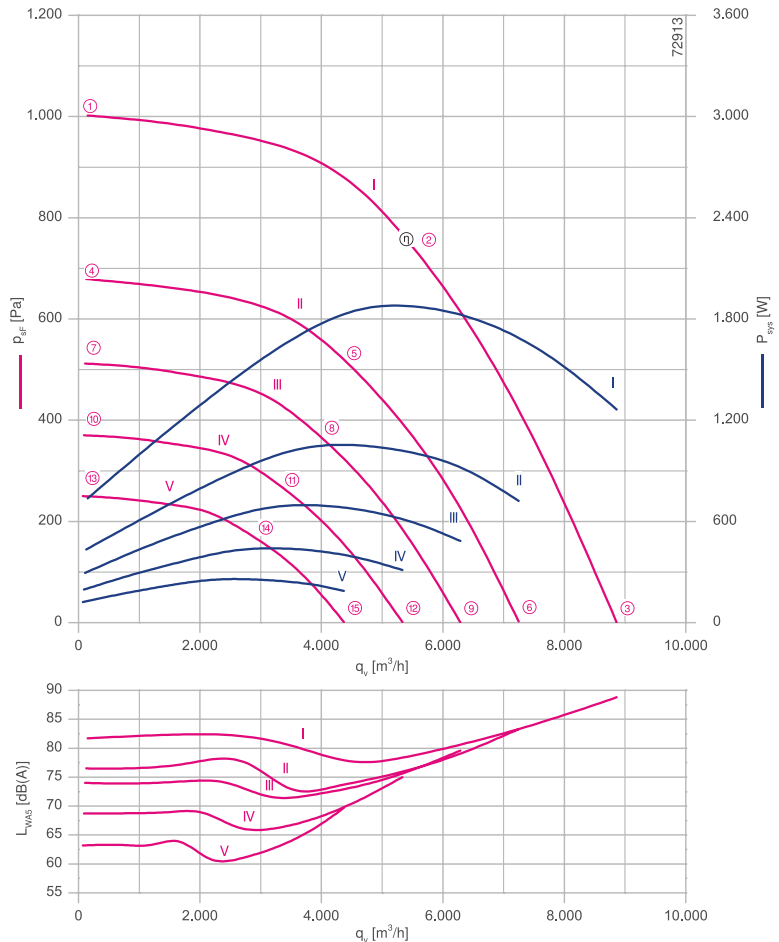
RH45C-ZIK



Description

Motor technology: EC
 Rated voltage U_N : 3-380-480 V*
 Rated frequency f_N : 50/60 Hz*
 Input power P_{sys} : 1.90 kW*
 Rated current I_N : 3.20-2.50 A*
 Rated speed n_N : 1850 min⁻¹*
 Thermal class: THCL155*
 Min. permitted ambient temperature t_R : -35 °C
 Max. permitted ambient temperature t_R at n_{max} : 40 °C
 Electrical connection: Integrated controller
 Balancing quality: G 6.3
 Degree of protection: IP54
 Motor protection: Integrated active temperature management
 Impeller: aluminium, uncoated
 Conformity: CE
 *Rated data

Characteristic curve

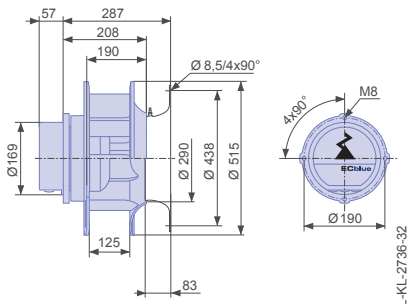


Measured with inlet ring, without guard grille according to ISO 5801

| | | | |
|--------------------|----------|--|----------|
| Inlet ring | 00411856 | RAL 7032 (pebble grey) unpainted | Page 302 |
| Inlet ring | 00411849 | | |
| Connection diagram | 1360-403 | | Page 326 |

Dimensions mm

Free-running motorized impeller RH
in installation position H/Vu/Vo



Performance data

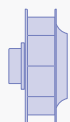
| Type | Characteristic curve | Speed | Operating point | Current | Input power | Suction side sound power level | Maximum ambient temperature |
|-----------------|----------------------|------------------------|-----------------|---------|-----------------------|--------------------------------|-----------------------------|
| | | n min ⁻¹ | | I A | P _{sys} W | L _{WAS} dB(A) | t _R °C |
| __45C-ZIK.DG.1R | I | 1850 | ① | 1.40 | 740 | 82 | 40 |
| | | | ② | 3.00 | 1900 | 79 | |
| | | | ③ | 2.10 | 1250 | 89 | |
| | II | 1520 | ④ | 1.05 | 440 | 77 | 60 |
| | | | ⑤ | 1.85 | 1050 | 73 | |
| | | | ⑥ | 1.40 | 720 | 83 | |
| | III | 1320 | ⑦ | 0.78 | 290 | 74 | 60 |
| | | | ⑧ | 1.35 | 700 | 72 | |
| | | | ⑨ | 1.10 | 480 | 80 | |
| | IV | 1120 | ⑩ | 0.54 | 200 | 69 | 60 |
| | | | ⑪ | 1.05 | 440 | 66 | |
| | | | ⑫ | 0.82 | 310 | 75 | |
| | V | 920 | ⑬ | 0.37 | 120 | 63 | 60 |
| | | | ⑭ | 0.70 | 260 | 61 | |
| | | | ⑮ | 0.52 | 190 | 70 | |

Current values determined at 400V

Fan ordering information

Design RH*

Installation position H/Vu/Vo



Type RH45C-ZIK.DG.1R

Article no. 171872

Weight kg 13.00

* inlet ring not included

Control technology

Operating terminal

Expansion module



Page 316

Page 307

C-ECblue

for three phase alternating current, 380-480 V

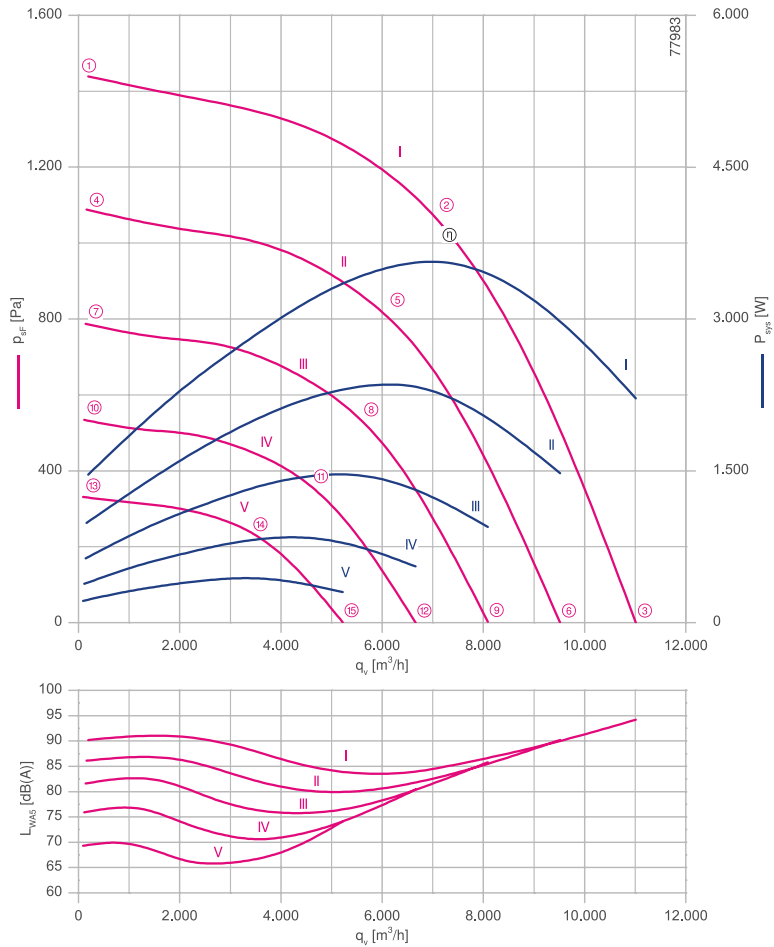
RH45C-ZID



Description

Motor technology: EC
 Rated voltage U_N : 3-380-480 V*
 Rated frequency f_N : 50/60 Hz*
 Input power P_{sys} : 3.60 kW*
 Rated current I_N : 5.80-4.60 A*
 Rated speed n_N : 2300 min⁻¹*
 Thermal class: THCL155*
 Min. permitted ambient temperature t_R : -35 °C
 Max. permitted ambient temperature t_R at n_{max} : 60 °C
 Electrical connection: Integrated controller
 Balancing quality: G 6.3
 Degree of protection : IP54
 Motor protection: Integrated active temperature management
 Impeller : aluminium, uncoated
 Conformity: CE
 *Rated data

Characteristic curve

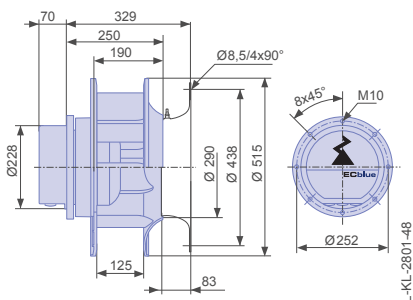


Measured with inlet ring, without guard grille according to ISO 5801

| | | | |
|--------------------|----------|---------------|----------|
| Inlet ring | 00411856 | RAL 7032 | Page 302 |
| | | (pebble grey) | |
| | | unpainted | |
| Inlet ring | 00411849 | | |
| Connection diagram | 1360-403 | | Page 326 |

Dimensions mm

Free-running motorized impeller RH
in installation position H/Vu/Vo



Performance data


| Type | Characteristic curve | Speed | Operating point | Current | Input power | Suction side sound power level |
|----------------|----------------------|------------------------|-----------------|---------|-----------------------|--------------------------------|
| | | n min ⁻¹ | | I A | P _{sys} W | L _{WA5} dB(A) |
| _45C-ZID.GG.1R | I | 2300 | ① | 2.40 | 1450 | 90 |
| | | | ② | 5.60 | 3600 | 84 |
| | | | ③ | 3.50 | 2200 | 94 |
| | II | 2000 | ④ | 1.70 | 980 | 86 |
| | | | ⑤ | 3.70 | 2300 | 80 |
| | | | ⑥ | 2.40 | 1500 | 90 |
| | III | 1700 | ⑦ | 1.20 | 640 | 82 |
| | | | ⑧ | 2.40 | 1450 | 77 |
| | | | ⑨ | 1.65 | 940 | 86 |
| | IV | 1400 | ⑩ | 0.90 | 380 | 76 |
| | | | ⑪ | 1.50 | 840 | 71 |
| | | | ⑫ | 1.10 | 560 | 80 |
| | V | 1100 | ⑬ | 0.58 | 220 | 69 |
| | | | ⑭ | 0.98 | 440 | 66 |
| | | | ⑮ | 0.78 | 300 | 74 |

Current values determined at 400V

Fan ordering information

Design RH*

Installation position H/Vu/Vo




Type RH45C-ZID.GG.1R
Article no. 171873

Weight kg 11.00
* inlet ring not included

Control technology

Operating terminal Expansion module



Page 316 Page 307

Information

ZA rail

Cpro-ECblue

C-ECblue

C series

N series

M series

FE2owlet



C-ECblue

for three phase alternating current, 380-480 V

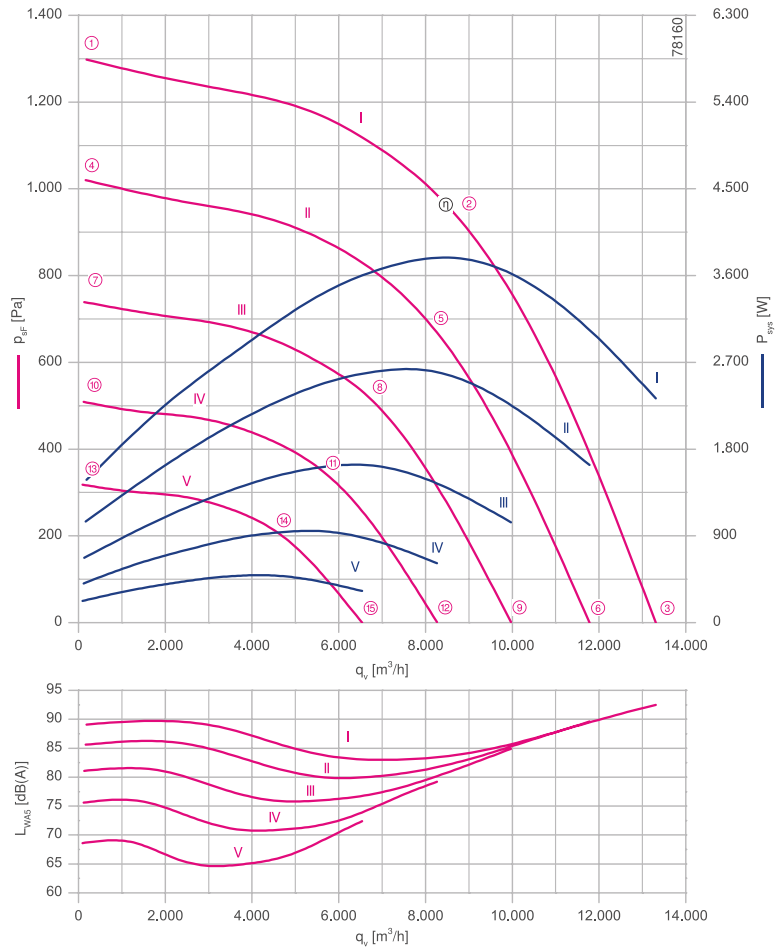
RH50C-ZID



Description

Motor technology: EC
 Rated voltage U_N : 3-380-480 V*
 Rated frequency f_N : 50/60 Hz*
 Input power P_{sys} : 3.80 kW*
 Rated current I_N : 6.10-4.80 A*
 Rated speed n_N : 1920 min⁻¹*
 Thermal class: THCL155*
 Min. permitted ambient temperature t_r : -35 °C
 Max. permitted ambient temperature t_r at n_{max} : 60 °C
 Electrical connection: Integrated controller
 Balancing quality: G 6.3
 Degree of protection : IP54
 Motor protection: Integrated active temperature management
 Impeller : aluminium, uncoated
 Conformity: CE
 *Rated data

Characteristic curve

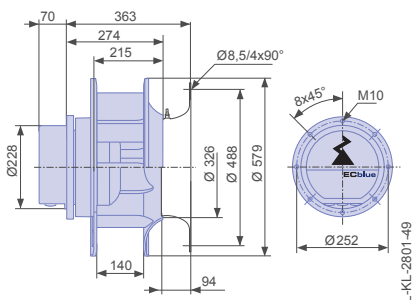


Measured with inlet ring, without guard grille according to ISO 5801

| | | | |
|--------------------|----------|---------------|----------|
| Inlet ring | 00411857 | RAL 7032 | Page 302 |
| | | (pebble grey) | |
| Inlet ring | 00411850 | unpainted | |
| Connection diagram | 1360-403 | | Page 326 |

Dimensions mm

Free-running motorized impeller RH
in installation position H/Vu/Vo



Performance data

| Type | Characteristic curve | Speed | Operating point | Current | Input power | Suction side sound power level |
|----------------|----------------------|------------------------|-----------------|---------|-----------------------|--------------------------------|
| | | n min ⁻¹ | | I A | P _{sys} W | L _{WA5} dB(A) |
| _50C-ZID.GG.1R | I | 1920 | ① | 2.40 | 1500 | 89 |
| | | | ② | 5.80 | 3800 | 84 |
| | | | ③ | 3.60 | 2300 | 93 |
| | II | 1700 | ④ | 1.75 | 1050 | 86 |
| | | | ⑤ | 4.00 | 2600 | 81 |
| | | | ⑥ | 2.60 | 1650 | 90 |
| | III | 1450 | ⑦ | 1.25 | 680 | 81 |
| | | | ⑧ | 2.60 | 1650 | 77 |
| | | | ⑨ | 1.75 | 1050 | 85 |
| | IV | 1200 | ⑩ | 0.92 | 400 | 76 |
| | | | ⑪ | 1.65 | 960 | 72 |
| | | | ⑫ | 1.20 | 620 | 79 |
| | V | 950 | ⑬ | 0.60 | 230 | 69 |
| | | | ⑭ | 1.05 | 500 | 66 |
| | | | ⑮ | 0.82 | 330 | 72 |

Current values determined at 400V

Fan ordering information

Design RH*

Installation position H/Vu/Vo



Type RH50C-ZID.GG.1R
Article no. 171874

Weight kg 25.00

* inlet ring not included

Control technology

Operating terminal

Expansion module



Page 316

Page 307

C-ECblue

for three phase alternating current, 380-480 V

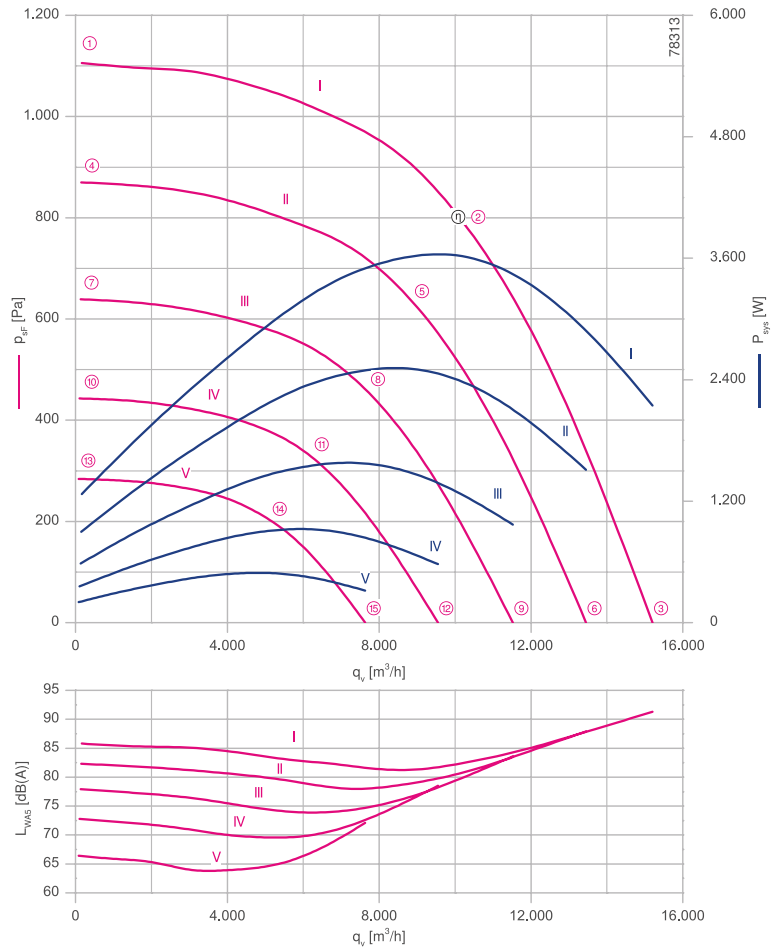
RH56C-ZID



Description

Motor technology: EC
 Rated voltage U_N : 3-380-480 V*
 Rated frequency f_N : 50/60 Hz*
 Input power P_{sys} : 3.60 kW*
 Rated current I_N : 5.90-4.70 A*
 Rated speed n_N : 1580 min⁻¹*
 Thermal class: THCL155*
 Min. permitted ambient temperature t_R : -35 °C
 Max. permitted ambient temperature t_R at n_{max} : 55 °C
 Electrical connection: Integrated controller
 Balancing quality: G 6.3
 Degree of protection : IP54
 Motor protection: Integrated active temperature management
 Impeller : aluminium, uncoated
 Conformity: CE
 *Rated data

Characteristic curve

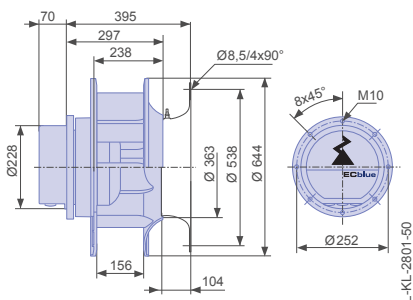


Measured with inlet ring, without guard grille according to ISO 5801

| | | | |
|--------------------|----------|---------------|----------|
| Inlet ring | 00411858 | RAL 7032 | Page 302 |
| | | (pebble grey) | |
| | | unpainted | |
| Inlet ring | 00411851 | | |
| Connection diagram | 1360-403 | | Page 326 |

Dimensions mm

Free-running motorized impeller RH
in installation position H/Vu/Vo



Performance data

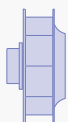
| Type | Characteristic curve | Speed | Operating point | Current | Input power | Suction side sound power level | Maximum ambient temperature |
|-----------------|----------------------|------------------------|-----------------|---------|-----------------------|--------------------------------|-----------------------------|
| | | n min ⁻¹ | | I A | P _{sys} W | L _{WAS} dB(A) | t _R °C |
| __56C-ZID.GG.1R | I | 1580 | ① | 2.10 | 1250 | 86 | 55 |
| | | | ② | 5.60 | 3600 | 82 | |
| | | | ③ | 3.30 | 2100 | 91 | |
| | II | 1400 | ④ | 1.55 | 900 | 82 | 60 |
| | | | ⑤ | 3.90 | 2500 | 79 | |
| | | | ⑥ | 2.40 | 1500 | 88 | |
| | III | 1200 | ⑦ | 1.10 | 580 | 78 | 60 |
| | | | ⑧ | 2.60 | 1600 | 74 | |
| | | | ⑨ | 1.65 | 960 | 84 | |
| | IV | 1000 | ⑩ | 0.82 | 360 | 73 | 60 |
| | | | ⑪ | 1.60 | 920 | 70 | |
| | | | ⑫ | 1.10 | 580 | 79 | |
| | V | 800 | ⑬ | 0.54 | 200 | 66 | 60 |
| | | | ⑭ | 1.00 | 500 | 64 | |
| | | | ⑮ | 0.78 | 320 | 72 | |

Current values determined at 400V

Fan ordering information

Design RH*

Installation position H/Vu/Vo



Type RH56C-ZID.GG.1R

Article no. 171875

Weight kg 26.00

* inlet ring not included

Control technology

Operating terminal

Expansion module



Page 316

Page 307

C-ECblue

for three phase alternating current, 380-480 V

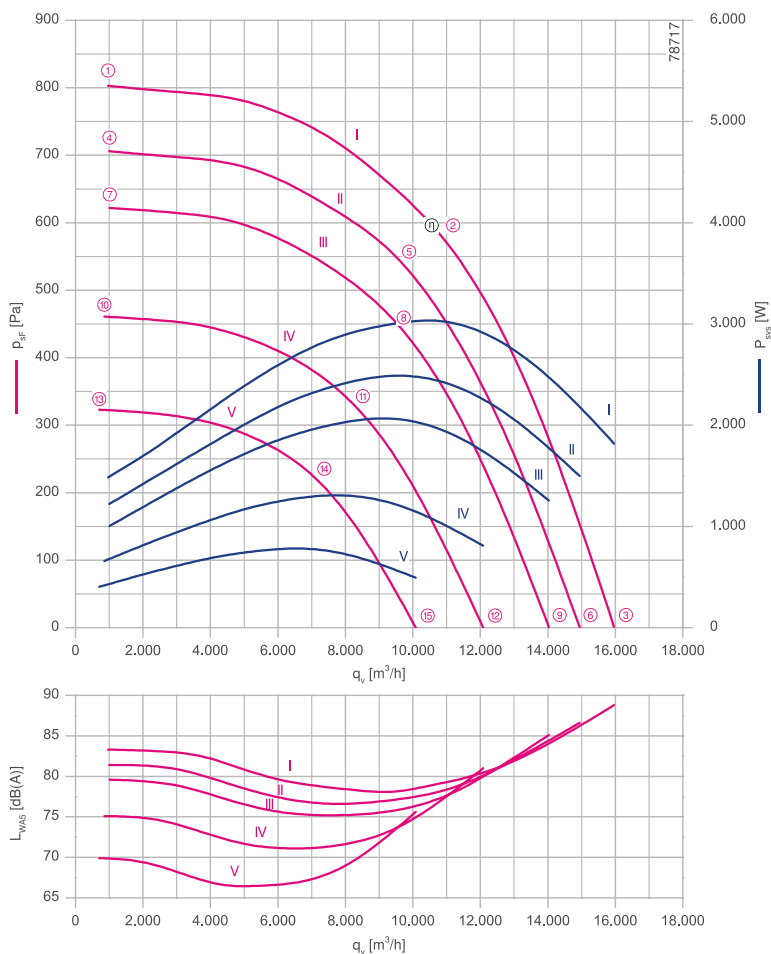
RH63C-ZIK



Description

Motor technology: EC
 Rated voltage U_N : 3-380-480 V*
 Rated frequency f_N : 50/60 Hz*
 Input power P_{sys} : 3.00 kW*
 Rated current I_N : 4.80-3.80 A*
 Rated speed n_N : 1230 min⁻¹*
 Thermal class: THCL155*
 Min. permitted ambient temperature t_R : -35 °C
 Max. permitted ambient temperature t_R at n_{max} : 40 °C
 Electrical connection: Integrated controller
 Balancing quality: G 6.3
 Degree of protection : IP54
 Motor protection: Integrated active temperature management
 Impeller : aluminium, uncoated
 Conformity: CE
 *Rated data

Characteristic curve

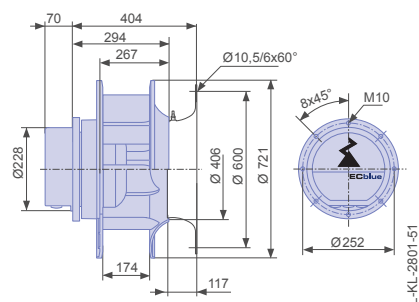


Measured with inlet ring, without guard grille according to ISO 5801

| | | | |
|--------------------|----------|---------------------------|----------|
| Inlet ring | 00411859 | RAL 7032 (pebble grey) | Page 302 |
| Inlet ring | 00411852 | unpainted | |
| Connection diagram | 1360-403 | | Page 326 |

Dimensions mm

Free-running motorized impeller RH
in installation position H/Vu/Vo



Performance data

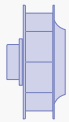
| Type | Characteristic curve | Speed | Operating point | Current | Input power | Suction side sound power level | Maximum ambient temperature |
|----------------|----------------------|------------------------|-----------------|---------|-----------------------|--------------------------------|-----------------------------|
| | | n min ⁻¹ | | I A | P _{sys} W | L _{WAS} dB(A) | |
| _63C-ZIK.GG.1R | I | 1230 | ① | 2.30 | 1500 | 83 | 40 |
| | | | ② | 4.60 | 3000 | 79 | |
| | | | ③ | 2.80 | 1800 | 89 | |
| | II | 1150 | ④ | 1.90 | 1200 | 81 | 60 |
| | | | ⑤ | 3.80 | 2500 | 77 | |
| | | | ⑥ | 2.30 | 1500 | 87 | |
| | III | 1080 | ⑦ | 1.60 | 1000 | 80 | 60 |
| | | | ⑧ | 3.20 | 2100 | 76 | |
| | | | ⑨ | 1.95 | 1250 | 85 | |
| | IV | 930 | ⑩ | 1.10 | 660 | 75 | 60 |
| | | | ⑪ | 2.00 | 1300 | 72 | |
| | | | ⑫ | 1.30 | 800 | 81 | |
| | V | 780 | ⑬ | 0.78 | 400 | 70 | 60 |
| | | | ⑭ | 1.30 | 780 | 67 | |
| | | | ⑮ | 0.90 | 500 | 76 | |

Current values determined at 400V

Fan ordering information

Design RH*

Installation position H/Vu/Vo



Type RH63C-ZIK.GG.1R

Article no. 171876

Weight kg 29.00

* inlet ring not included

Control technology

Operating terminal

Expansion module



Page 316

Page 307

C-ECblue

for three phase alternating current, 380-480 V

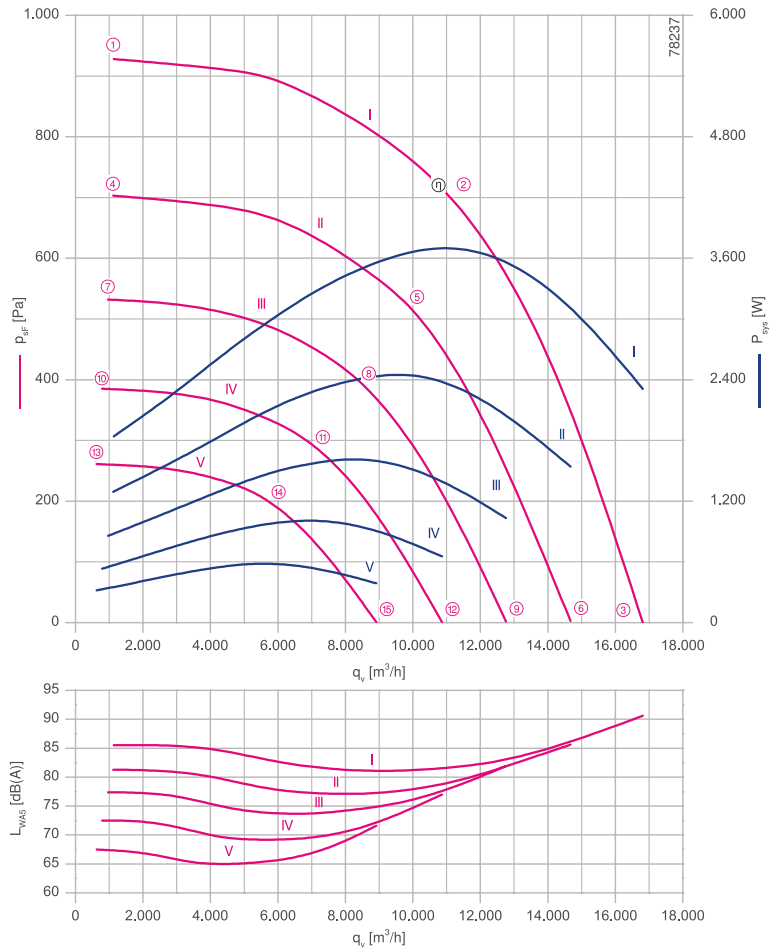
RH63C-ZIK



Description

Motor technology: EC
 Rated voltage U_N : 3-380-480 V*
 Rated frequency f_N : 50/60 Hz*
 Input power P_{sys} : 3.70 kW*
 Rated current I_N : 5.90-4.70 A*
 Rated speed n_N : 1320 min⁻¹*
 Thermal class: THCL155*
 Min. permitted ambient temperature t_R : -35 °C
 Max. permitted ambient temperature t_R at n_{max} : 55 °C
 Electrical connection: Integrated controller
 Balancing quality: G 6.3
 Degree of protection : IP54
 Motor protection: Integrated active temperature management
 Impeller : aluminium, uncoated
 Conformity: CE
 *Rated data

Characteristic curve

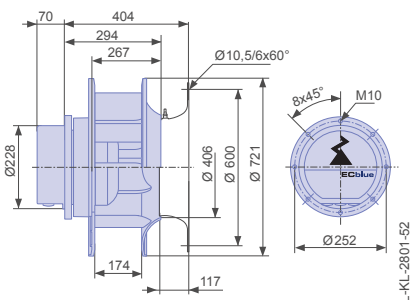


Measured with inlet ring, without guard grille according to ISO 5801

| | | | |
|--------------------|----------|---------------|----------|
| Inlet ring | 00401462 | RAL 7032 | Page 302 |
| | | (pebble grey) | |
| Inlet ring | 00400811 | unpainted | |
| Connection diagram | 1360-403 | | Page 326 |

Dimensions mm

Free-running motorized impeller RH
in installation position H/Vu/Vo



Performance data

| Type | Characteristic curve | Speed | Operating point | Current | Input power | Suction side sound power level | Maximum ambient temperature |
|----------------|----------------------|------------------------|-----------------|---------|-----------------------|--------------------------------|-----------------------------|
| | | n min ⁻¹ | | I A | P _{sys} W | L _{WAS} dB(A) | |
| _63C-ZIK.GL.1R | I | 1330 | ① | 2.80 | 1850 | 86 | 55 |
| | | | ② | 5.60 | 3700 | 82 | |
| | | | ③ | 3.50 | 2300 | 91 | |
| | II | 1150 | ④ | 2.00 | 1300 | 81 | 60 |
| | | | ⑤ | 3.70 | 2400 | 78 | |
| | | | ⑥ | 2.40 | 1550 | 86 | |
| | III | 1000 | ⑦ | 1.40 | 860 | 77 | 60 |
| | | | ⑧ | 2.50 | 1600 | 74 | |
| | | | ⑨ | 1.65 | 1050 | 82 | |
| | IV | 850 | ⑩ | 0.94 | 540 | 73 | 60 |
| | | | ⑪ | 1.60 | 1000 | 69 | |
| | | | ⑫ | 1.10 | 660 | 77 | |
| | V | 700 | ⑬ | 0.68 | 320 | 68 | 60 |
| | | | ⑭ | 1.00 | 580 | 65 | |
| | | | ⑮ | 0.76 | 390 | 72 | |

Current values determined at 400V

Fan ordering information

Design RH*

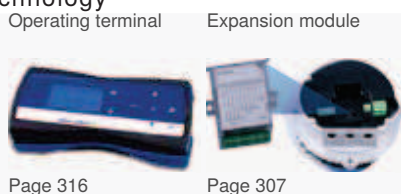
Installation position H/Vu/Vo



Type RH63C-ZIK.GL.1R
Article no. 171877

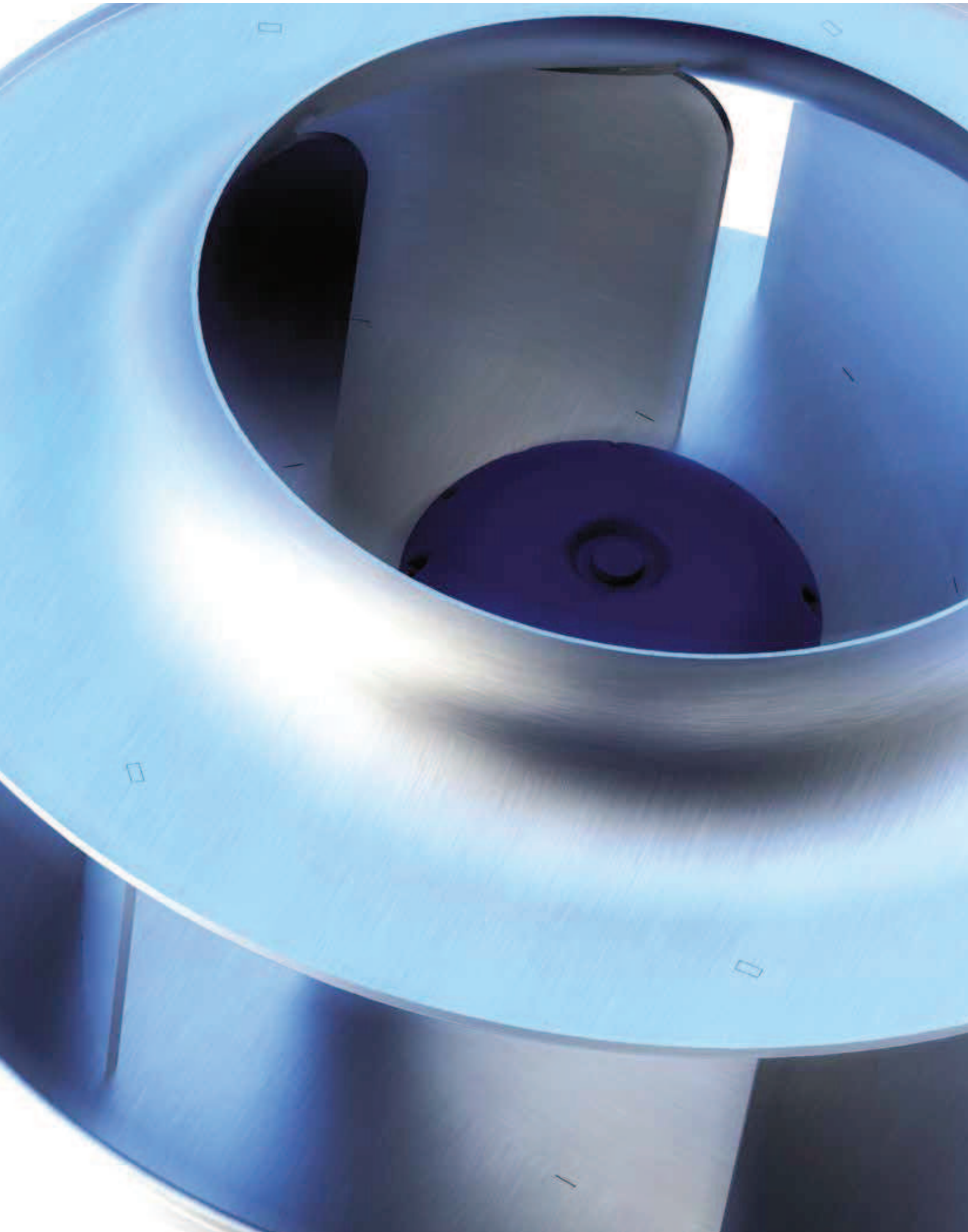
Weight kg 33.00
* inlet ring not included

Control technology



Page 316

Page 307



C-series

AC technology

Product overview

| | |
|-----------------|----------|
| Quick selection | Page 148 |
| Size 225 | Page 150 |
| Size 250 | Page 154 |
| Size 280 | Page 158 |
| Size 315 | Page 162 |
| Size 355 | Page 172 |
| Size 400 | Page 178 |
| Size 450 | Page 180 |

Information

ZArail

Cpro-ECblue

C-ECblue

C series

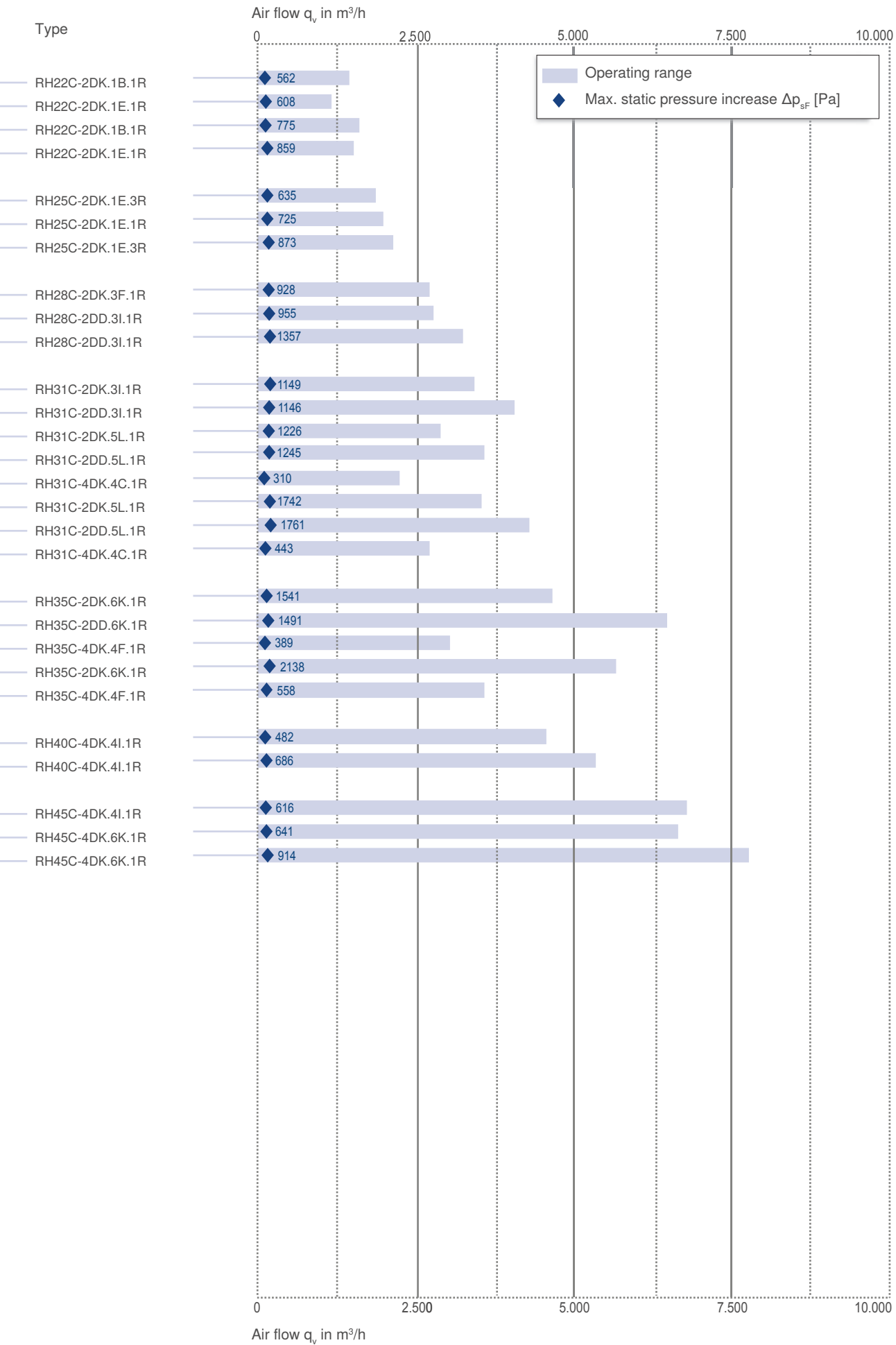
N series

M series

FE2owlet

| Size | Frequency | Voltage | Number of poles | Type | Impeller position | Page |
|------|-----------|-------------|-----------------|-----------------|-------------------|------|
| 225 | 50 Hz | 3~ 400V | 2 | RH22C-2DK.1B.1R | K | 150 |
| | | | | RH22C-2DK.1E.1R | K | 152 |
| | 60 Hz | 3~ 400/460V | 2 | RH22C-2DK.1B.1R | K | 150 |
| | | | | RH22C-2DK.1E.1R | K | 152 |
| 250 | 50 Hz | 3~ 400V | 2 | RH25C-2DK.1E.3R | K | 154 |
| | | | | RH25C-2DK.1E.1R | K | 156 |
| | 60 Hz | 3~ 400/460V | 2 | RH25C-2DK.1E.3R | K | 154 |
| 280 | 50 Hz | 3~ 400V | 2 | RH28C-2DK.3F.1R | K | 158 |
| | | | | RH28C-2DD.3I.1R | D | 160 |
| | 60 Hz | 3~ 400/460V | 2 | RH28C-2DD.3I.1R | D | 160 |
| 315 | 50 Hz | 3~ 400V | 2 | RH31C-2DK.3I.1R | K | 162 |
| | | | | RH31C-2DD.3I.1R | D | 164 |
| | | | 4 | RH31C-2DK.5L.1R | K | 166 |
| | | | | RH31C-2DD.5L.1R | D | 168 |
| | 60 Hz | 3~ 400/460V | 2 | RH31C-4DK.4C.1R | K | 170 |
| | | | | RH31C-2DK.5L.1R | K | 166 |
| | | | 4 | RH31C-2DD.5L.1R | D | 168 |
| | | | | RH31C-4DK.4C.1R | K | 170 |
| 355 | 50 Hz | 3~ 400V | 2 | RH35C-2DK.6K.1R | K | 172 |
| | | | | RH35C-2DD.6K.1R | D | 174 |
| | 60 Hz | 3~ 400/460V | 4 | RH35C-4DK.4F.1R | K | 176 |
| | | | | RH35C-2DK.6K.1R | K | 172 |
| | | | 4 | RH35C-4DK.4F.1R | K | 176 |
| 400 | 50 Hz | 3~ 400V | 4 | RH40C-4DK.4I.1R | K | 178 |
| | 60 Hz | 3~ 400/460V | 4 | RH40C-4DK.4I.1R | K | 178 |
| 450 | 50 Hz | 3~ 400V | 4 | RH45C-4DK.4I.1R | K | 180 |
| | | | | RH45C-4DK.6K.1R | K | 182 |
| | 60 Hz | 3~ 400/460V | 4 | RH45C-4DK.6K.1R | K | 182 |





Information

ZArail

Cpro-ECblue

C-ECblue

C series

N series

M series

FE2owlet

C-series

for three phase alternating current, 2 pole

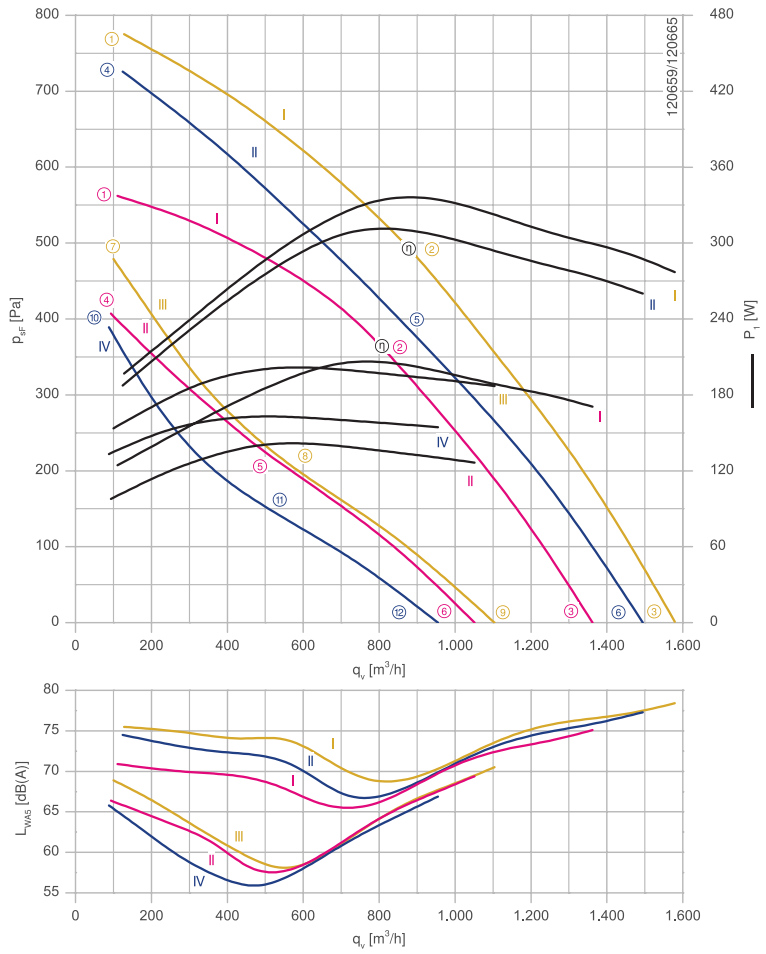
RH22C-2D



Description

Motor technology: AC
 Rated voltage U_N :
 3~ 230/400 V (Δ/Y) | 3~230/400 V (Δ/Y) | 3~265/460 V (Δ/Y) *
 Rated frequency f_N : 50 Hz | 60 Hz | 60 Hz*
 Input power P_i :
 210 W | 310 W | 340 W*
 Rated current I_N :
 0.57/0.33 A | 0.83/0.48 A | 0.80/0.46 A*
 Rated speed n_n :
 2640 min⁻¹ | 2780 min⁻¹ | 3000 min⁻¹*
 Starting current I_s : 2,00/1,10 A | 1,90/1,10 A | 2,20/1,30 A
 Current increase ΔI : 15 % | 0 % | 0 %
 Thermal class: THCL155*
 Min. permitted ambient temperature $t_{R(min)}$: -20 °C
 Max. permitted ambient temperature $t_{R(max)}$:
 70 °C | 60 °C | 60 °C
 Electrical connection: Supply cable side, 105cm
 Degree of protection : IP54Z
 Motor protection: thermal contact
 Impeller : bright sheet metal, powder-coated, ultramarine blue
 Motor: Aluminium, 1 coat paint, pebble grey
 Conformity: CE
 * Rated data

Characteristic curve

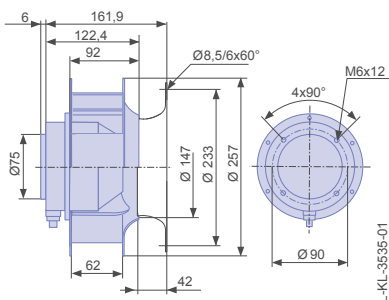


Measured with inlet ring, without guard grille according to ISO 5801

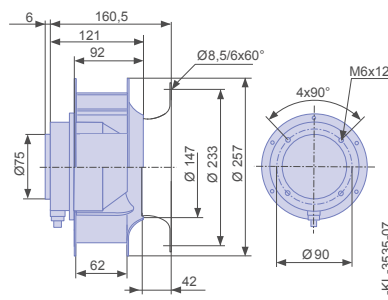
| | | | |
|--------------------|------------|---------------|----------|
| Inlet ring | 00401776 | RAL 7032 | Page 302 |
| | | (pebble grey) | |
| Inlet ring | 00400802 | unpainted | |
| Connection diagram | 1360-106XA | | Page 327 |

Dimensions mm

Free-running motorized impeller RH
in installation position H/Vu



Free-running motorized impeller RH
in installation position H/Vo

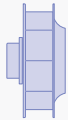



Performance data

| Type | Characteristic curve | Voltage | Frequency | Operating point | Current | Input power | Speed | Suction side sound power level L_{WA5} dB(A) | |
|-----------------|----------------------|---------|-----------|-----------------|---------|-------------|------------------------|--|----|
| | | U V | f Hz | | I A | P_1 W | n min ⁻¹ | | |
| RH22C-2DK.1B.1R | I | 400 | 50 | ① | 0.24 | 120 | 2810 | 71 | |
| | | 400* | | ② | 0.33* | 210* | 2640* | 66 | |
| | | 400 | | ③ | 0.29 | 170 | 2720 | 75 | |
| | II | 230 | | ④ | 0.26 | 100 | 2400 | 66 | |
| | | 230 | | ⑤ | 0.37 | 140 | 1930 | 58 | |
| | | 230 | | ⑥ | 0.33 | 130 | 2120 | 69 | |
| | I | 460 | | 60 | ① | 0.28 | 200 | 3310 | 76 |
| | | 460* | | | ② | 0.46* | 340* | 3000* | 69 |
| | | 460 | | | ③ | 0.38 | 280 | 3150 | 78 |
| | II | 400 | | | ④ | 0.29 | 190 | 3200 | 75 |
| | | 400* | | | ⑤ | 0.48* | 310* | 2780* | 68 |
| | | 400 | | | ⑥ | 0.40 | 260 | 2990 | 77 |
| | III | 265 | ⑦ | | 0.35 | 150 | 2610 | 69 | |
| | | 265 | ⑧ | | 0.46 | 200 | 1950 | 58 | |
| | | 265 | ⑨ | | 0.44 | 190 | 2210 | 71 | |
| | IV | 230 | ⑩ | | 0.35 | 130 | 2340 | 66 | |
| | | 230 | ⑪ | | 0.44 | 160 | 1690 | 56 | |
| | | 230 | ⑫ | | 0.42 | 150 | 1920 | 67 | |

*rated data

Fan ordering information

| | | |
|---------------------------|--|--|
| Design | RH* | RH* |
| Installation position | H/Vu | H/Vo |
| |  |  |
| Type | RH22C-2DK.1B.1R | RH22C-2DK.1B.1R |
| Article no. | 172163 | 175250 |
| Weight kg | 5.00 | 5.00 |
| * inlet ring not included | | |

C-series

for three phase alternating current, 2 pole

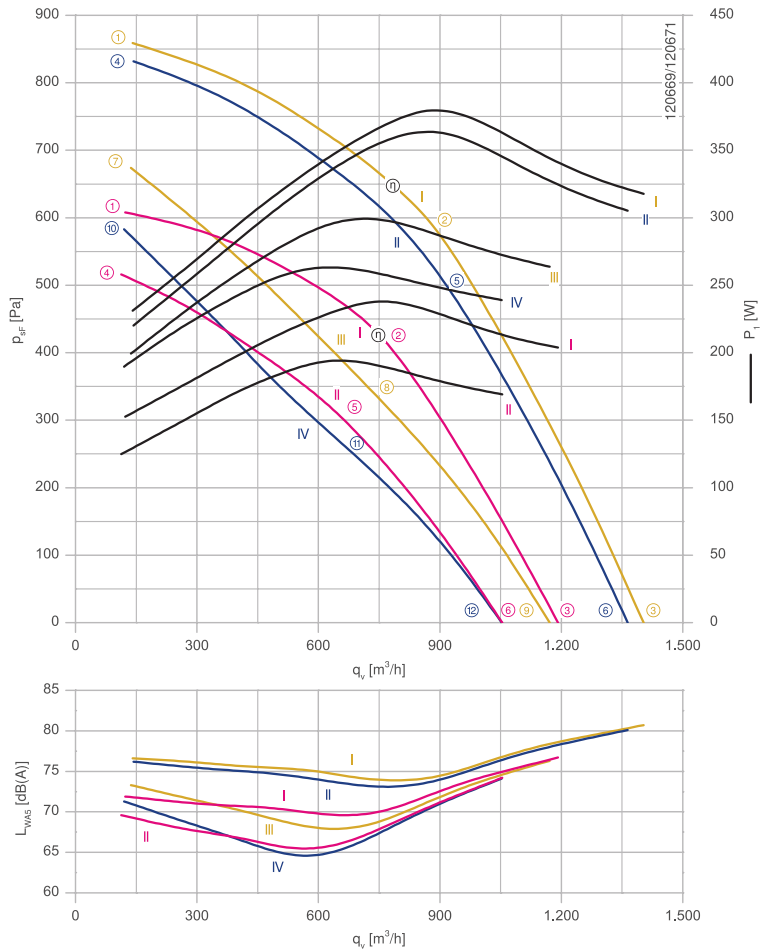
RH22C-2D



Description

Motor technology: AC
 Rated voltage U_N :
 3~ 230/400 V (Δ/Y) | 3~230/400 V (Δ/Y) | 3~265/460 V (Δ/Y) *
 Rated frequency f_N : 50 Hz | 60 Hz | 60 Hz*
 Input power P_i :
 240 W | 360 W | 380 W*
 Rated current I_N :
 0.80/0.46 A | 1.00/0.58 A | 0.96/0.56 A*
 Rated speed n_n :
 2820 min⁻¹ | 3210 min⁻¹ | 3310 min⁻¹*
 Starting current I_s : 4.00/2.20 A | 3.80/2.20 A | 4.40/2.60 A
 Current increase ΔI : 20 % | 25 % | 30 %
 Thermal class: THCL155*
 Min. permitted ambient temperature $t_{R(min)}$: -20 °C
 Max. permitted ambient temperature $t_{R(max)}$:
 70 °C | 65 °C | 65 °C
 Electrical connection: Supply cable side, 105cm
 Degree of protection : IP54Z
 Motor protection: thermal contact
 Impeller : bright sheet metal, powder-coated, ultramarine blue
 Motor: Aluminium, 1 coat paint, pebble grey
 Conformity: CE
 * Rated data

Characteristic curve

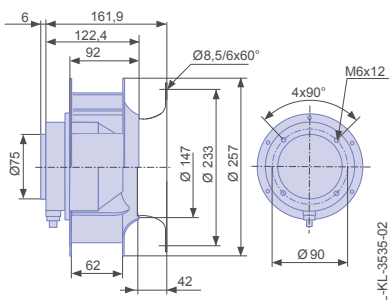


Measured with inlet ring, without guard grille according to ISO 5801

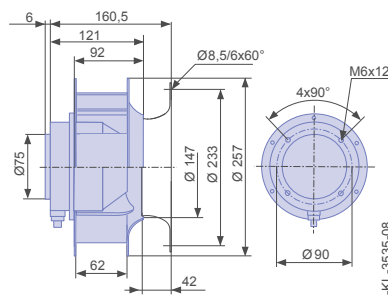
| | | | |
|--------------------|------------|---------------|----------|
| Inlet ring | 00401776 | RAL 7032 | Page 302 |
| | | (pebble grey) | |
| Inlet ring | 00400802 | unpainted | |
| Connection diagram | 1360-106XA | | Page 327 |

Dimensions mm

Free-running motorized impeller RH
in installation position H/Vu



Free-running motorized impeller RH
in installation position H/Vo

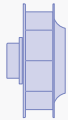



Performance data

| Type | Characteristic curve | Voltage | Frequency | Operating point | Current | Input power | Speed | Suction side sound power level L_{WA5} dB(A) |
|-----------------|----------------------|---------|-----------|-----------------|---------|-------------|------------------------|--|
| | | U V | f Hz | | I A | P_1 W | n min ⁻¹ | |
| RH22C-2DK.1E.1R | I | 400 | 50 | ① | 0.39 | 150 | 2890 | 72 |
| | | 400* | | ② | 0.46* | 240* | 2820* | 70 |
| | | 400 | | ③ | 0.42 | 200 | 2850 | 77 |
| | II | 230 | | ④ | 0.34 | 120 | 2670 | 70 |
| | | 230 | | ⑤ | 0.52 | 190 | 2410 | 66 |
| | | 230 | | ⑥ | 0.46 | 170 | 2520 | 74 |
| | I | 460 | 60 | ① | 0.40 | 230 | 3450 | 77 |
| | | 460* | | ② | 0.56* | 380* | 3310* | 74 |
| | | 460 | | ③ | 0.48 | 320 | 3370 | 81 |
| | II | 400 | | ④ | 0.38 | 220 | 3390 | 76 |
| | | 400* | | ⑤ | 0.58* | 360* | 3210* | 74 |
| | | 400 | | ⑥ | 0.50 | 310 | 3280 | 80 |
| | III | 265 | ⑦ | 0.46 | 200 | 3060 | 73 | |
| | | 265 | ⑧ | 0.70 | 300 | 2620 | 69 | |
| | | 265 | ⑨ | 0.62 | 260 | 2810 | 76 | |
| | IV | 230 | ⑩ | 0.50 | 190 | 2850 | 71 | |
| | | 230 | ⑪ | 0.70 | 260 | 2320 | 65 | |
| | | 230 | ⑫ | 0.64 | 240 | 2530 | 74 | |

*rated data

Fan ordering information

| | | |
|---------------------------|--|--|
| Design | RH* | RH* |
| Installation position | H/Vu | H/Vo |
| |  |  |
| Type | RH22C-2DK.1E.1R | RH22C-2DK.1E.1R |
| Article no. | 172164 | 175251 |
| Weight kg | 6.00 | 6.00 |
| * inlet ring not included | | |

C-series

for three phase alternating current, 2 pole

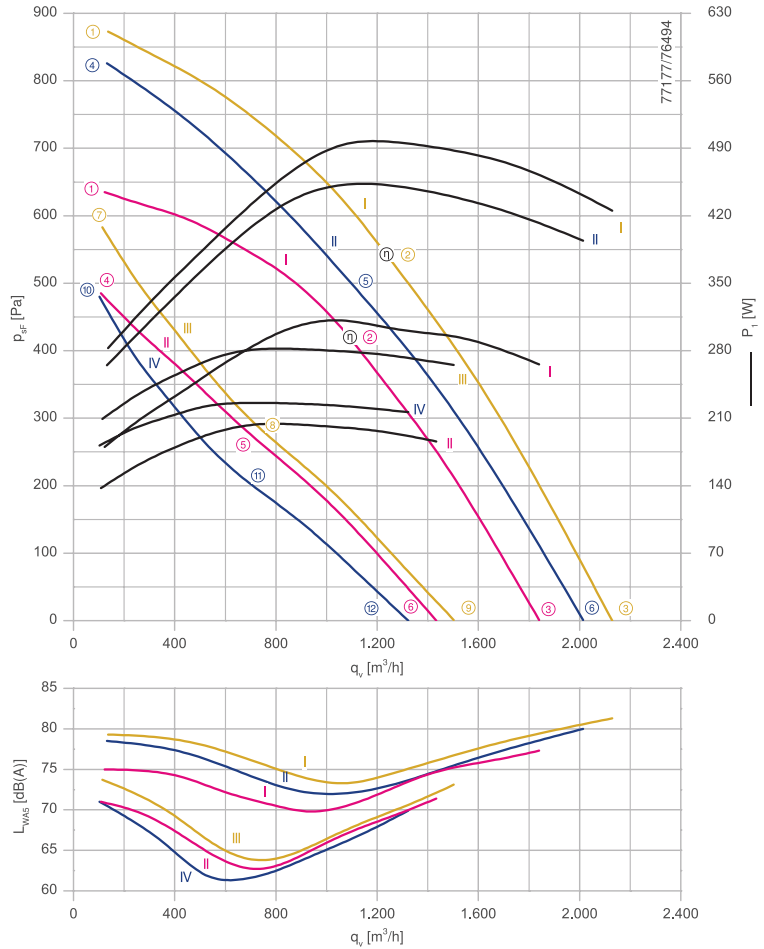
RH25C-2D



Description

Motor technology: AC
 Rated voltage U_N :
 3~ 230/400 V (Δ/Y) | 3~230/400 V (Δ/Y) | 3~265/460 V (Δ/Y) *
 Rated frequency f_N : 50 Hz | 60 Hz | 60 Hz*
 Input power P_i :
 310 W | 460 W | 500 W*
 Rated current I_N :
 0.96/0.56 A | 1.25/0.74 A | 1.25/0.72 A*
 Rated speed n_n :
 2650 min⁻¹ | 2840 min⁻¹ | 3030 min⁻¹*
 Starting current I_A : 3.40/1.90 A | 3.20/1.80 A | 3.60/2.00 A
 Current increase ΔI : 5 % | 0 % | 0 %
 Thermal class: THCL155*
 Min. permitted ambient temperature $t_{R(min)}$: -20 °C
 Max. permitted ambient temperature $t_{R(max)}$:
 70 °C | 60 °C | 60 °C
 Electrical connection: Supply cable side, 105cm
 Degree of protection : IP54Z
 Motor protection: thermal contact
 Impeller : bright sheet metal, powder-coated, ultramarine blue
 Motor: Aluminium, 1 coat paint, pebble grey
 Conformity: CE
 * Rated data

Characteristic curve

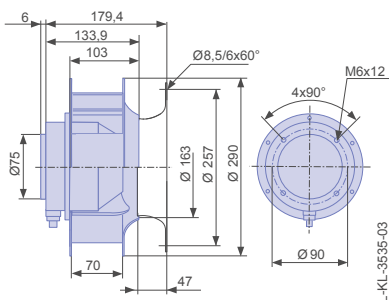


Measured with inlet ring, without guard grille according to ISO 5801

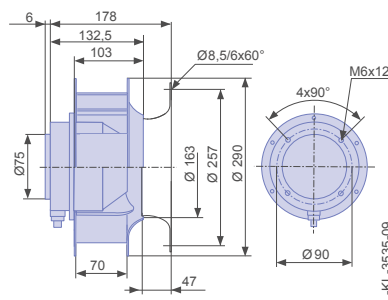
| | | | |
|--------------------|------------|---------------|----------|
| Inlet ring | 00401777 | RAL 7032 | Page 302 |
| | | (pebble grey) | |
| Inlet ring | 00400803 | unpainted | |
| Connection diagram | 1360-106XA | | Page 327 |

Dimensions mm

Free-running motorized impeller RH
in installation position H/Vu



Free-running motorized impeller RH
in installation position H/Vo

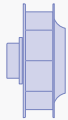



Performance data

| Type | Characteristic curve | Voltage | Frequency | Operating point | Current | Input power | Speed | Suction side sound power level L_{WA5} dB(A) |
|-----------------|----------------------|---------|-----------|-----------------|---------|-------------|------------------------|--|
| | | U V | f Hz | | I A | P_1 W | n min ⁻¹ | |
| RH25C-2DK.1E.3R | I | 400 | 50 | ① | 0.40 | 180 | 2830 | 75 |
| | | 400* | | ② | 0.56* | 310* | 2650* | 70 |
| | | 400 | | ③ | 0.50 | 270 | 2720 | 77 |
| | II | 230 | | ④ | 0.39 | 140 | 2470 | 71 |
| | | 230 | | ⑤ | 0.58 | 200 | 2000 | 63 |
| | | 230 | | ⑥ | 0.52 | 190 | 2150 | 71 |
| | I | 460 | 60 | ① | 0.46 | 280 | 3330 | 79 |
| | | 460* | | ② | 0.72* | 500* | 3030* | 74 |
| | | 460 | | ③ | 0.62 | 420 | 3150 | 81 |
| | II | 400 | | ④ | 0.46 | 260 | 3250 | 79 |
| | | 400* | | ⑤ | 0.74* | 460* | 2840* | 72 |
| | | 400 | | ⑥ | 0.64 | 390 | 2990 | 80 |
| | III | 265 | ⑦ | 0.52 | 210 | 2730 | 74 | |
| | | 265 | ⑧ | 0.70 | 280 | 2070 | 64 | |
| | | 265 | ⑨ | 0.66 | 270 | 2260 | 73 | |
| | IV | 230 | ⑩ | 0.52 | 180 | 2480 | 71 | |
| | | 230 | ⑪ | 0.66 | 230 | 1810 | 61 | |
| | | 230 | ⑫ | 0.62 | 220 | 1980 | 70 | |

*rated data

Fan ordering information

| | | |
|---------------------------|--|--|
| Design | RH* | RH* |
| Installation position | H/Vu | H/Vo |
| |  |  |
| Type | RH25C-2DK.1E.3R | RH25C-2DK.1E.3R |
| Article no. | 172165 | 175252 |
| Weight kg | 6.00 | 6.00 |
| * inlet ring not included | | |

C-series

for three phase alternating current, 2 pole

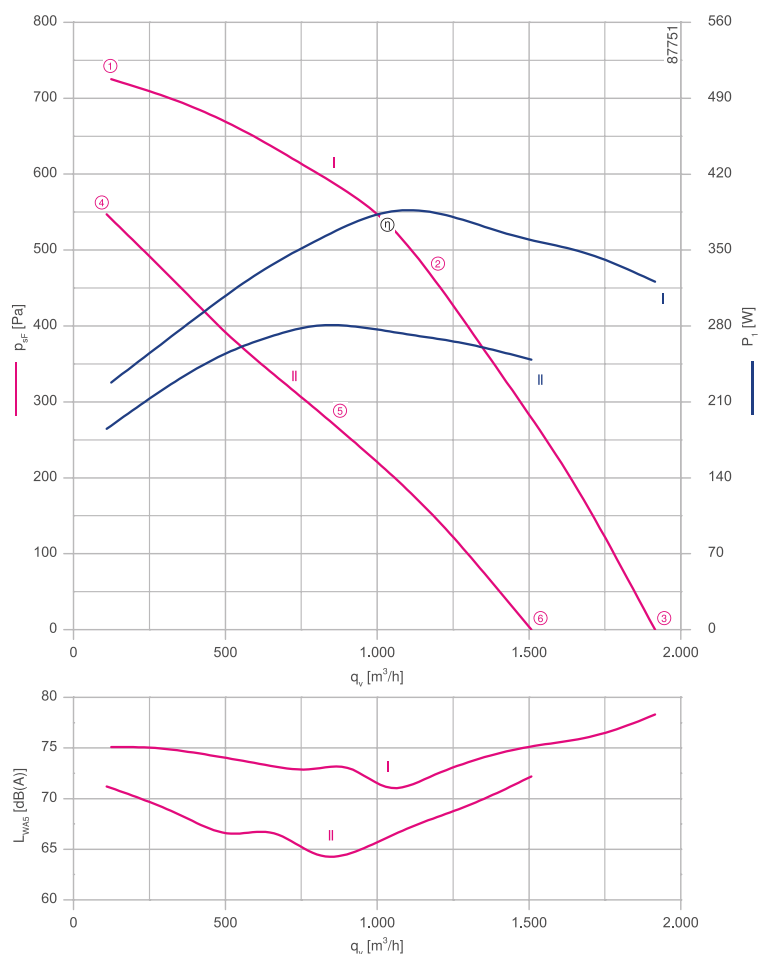
RH25C-2D



Description

Motor technology: AC
 Rated voltage U_N : 3~ 230/400 V (Δ/Y)*
 Rated frequency f_N : 50 Hz*
 Input power P_i : 390 W*
 Rated current I_N : 1.10/0.64 A*
 Rated speed n_N : 2690 min⁻¹*
 Starting current I_s : 4.00/2.20 A
 Current increase ΔI : 15 %
 Thermal class: THCL155*
 Min. permitted ambient temperature $t_{R(min)}$: -40 °C
 Max. permitted ambient temperature $t_{R(max)}$: 70 °C
 Electrical connection: Supply cable side, 105cm
 Degree of protection : IP54Z
 Motor protection: thermal contact
 Impeller : aluminium, unpainted
 Motor: Aluminium, 1 coat paint, pebble grey
 Conformity: CE
 * Rated data

Characteristic curve

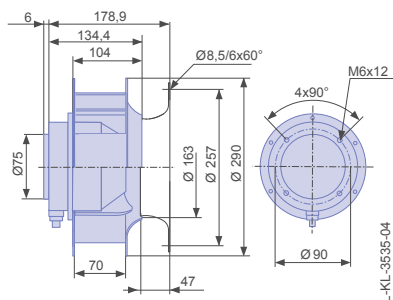


Measured with inlet ring, without guard grille according to ISO 5801

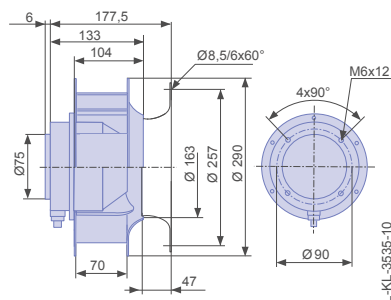
| | | | |
|--------------------|------------|---------------|----------|
| Inlet ring | 00401777 | RAL 7032 | Page 302 |
| | | (pebble grey) | |
| Inlet ring | 00400803 | unpainted | |
| Connection diagram | 1360-106XA | | Page 327 |

Dimensions mm

Free-running motorized impeller RH
in installation position H/Vu



Free-running motorized impeller RH
in installation position H/Vo

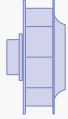
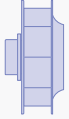


Performance data

| Type | Characteristic curve | Voltage | Operating point | Current | Input power | Speed | Suction side sound power level L_{WAS} dB(A) |
|-----------------|----------------------|---------|-----------------|---------|-------------|------------------------|--|
| | | U V | | I A | P_1 W | n min ⁻¹ | |
| RH25C-2DK.1E.1R | I | 400 | ① | 0.46 | 230 | 2840 | 75 |
| | | 400* | ② | 0.64* | 390* | 2690* | 72 |
| | | 400 | ③ | 0.56 | 320 | 2750 | 78 |
| | II | 230 | ④ | 0.50 | 190 | 2460 | 71 |
| | | 230 | ⑤ | 0.74 | 280 | 2000 | 64 |
| | | 230 | ⑥ | 0.66 | 250 | 2200 | 72 |

*rated data

Fan ordering information

| | | |
|---------------------------|---|---|
| Design | RH* | RH* |
| Installation position | H/Vu | H/Vo |
| |  |  |
| Type | RH25C-2DK.1E.1R | RH25C-2DK.1E.1R |
| Article no. | 172166 | 175253 |
| Weight kg | 4.40 | 4.40 |
| * inlet ring not included | | |

Information

ZArail

Cpro-ECblue

C-ECblue

C series

N series

M series

FE2owlet

C-series

for three phase alternating current, 2 pole

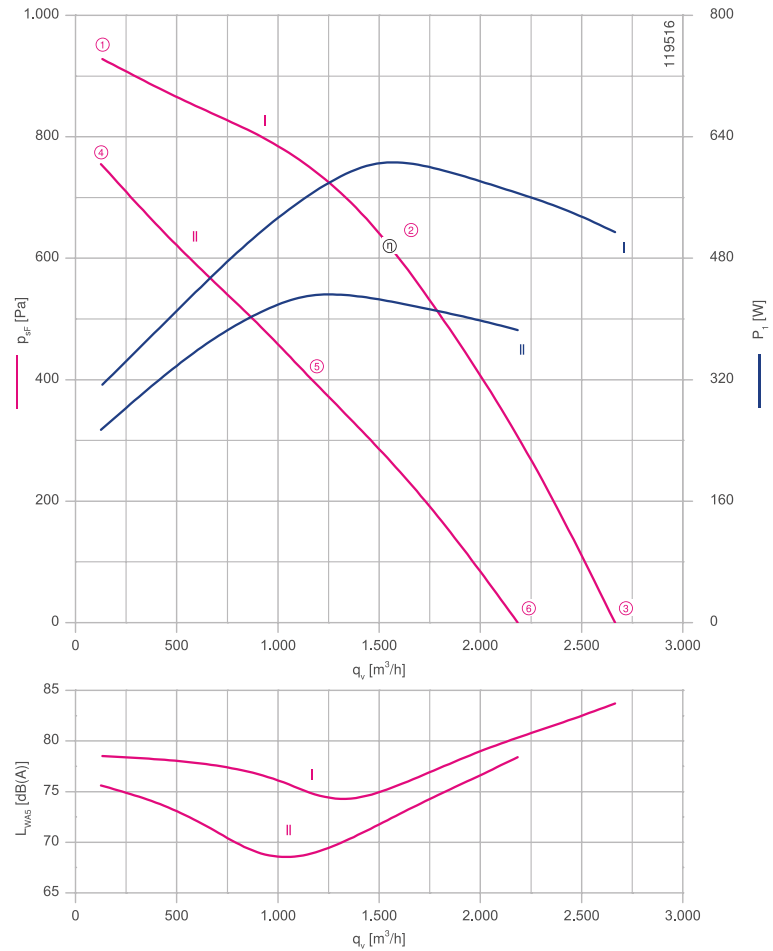
RH28C-2D



Description

Motor technology: AC
 Rated voltage U_N : 3~ 230/400 V (Δ/Y)*
 Rated frequency f_N : 50 Hz*
 Input power P_i : 600 W*
 Rated current I_N : 1.80/1.05 A*
 Rated speed n_N : 2700 min⁻¹*
 Starting current I_s : 7.50/4.40 A
 Current increase ΔI : 10 %
 Thermal class: THCL155*
 Min. permitted ambient temperature $t_{R(min)}$: -40 °C
 Max. permitted ambient temperature $t_{R(max)}$: 65 °C
 Electrical connection: Supply cable side, 105cm
 Degree of protection : IP54
 Motor protection: thermal contact
 Impeller : aluminium, unpainted
 Motor: Aluminium, 1 coat paint, pebble grey
 Conformity: CE
 * Rated data

Characteristic curve

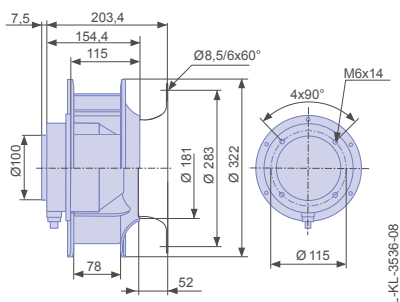


Measured with inlet ring, without guard grille according to ISO 5801

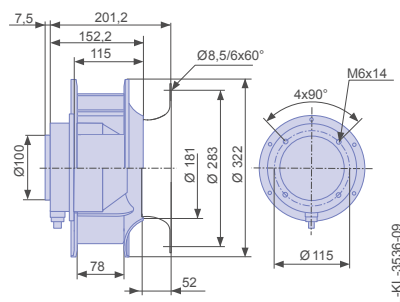
| | | | |
|--------------------|------------|---------------|----------|
| Inlet ring | 00401778 | RAL 7032 | Page 302 |
| | | (pebble grey) | |
| Inlet ring | 00400804 | unpainted | |
| Connection diagram | 1360-106XA | | Page 327 |

Dimensions mm

Free-running motorized impeller RH
in installation position H/Vu



Free-running motorized impeller RH
in installation position H/Vo



Performance data

| Type | Characteristic curve | Voltage | Operating point | Current | Input power | Speed | Suction side sound power level L_{WAS} dB(A) |
|-----------------|----------------------|---------|-----------------|---------|-------------|------------------------|--|
| | | U V | | I A | P_1 W | n min ⁻¹ | |
| RH28C-2DK.3F.1R | I | 400 | ① | 0.72 | 310 | 2860 | 79 |
| | | 400* | ② | 1.05* | 600* | 2700* | 75 |
| | | 400 | ③ | 0.94 | 520 | 2760 | 84 |
| | II | 230 | ④ | 0.70 | 250 | 2580 | 76 |
| | | 230 | ⑤ | 1.15 | 420 | 2130 | 69 |
| | | 230 | ⑥ | 1.05 | 390 | 2270 | 78 |

*rated data

Fan ordering information

| | | |
|---------------------------|---|---|
| Design | RH* | RH* |
| Installation position | H/Vu | H/Vo |
| |  |  |
| Type | RH28C-2DK.3F.1R | RH28C-2DK.3F.1R |
| Article no. | 172167 | 175254 |
| Weight kg | 8.00 | 8.00 |
| * inlet ring not included | | |

Information

ZArail

Cpro-ECblue

C-ECblue

C series

N series

M series

FE2owlet

C-series

for three phase alternating current, 2 pole

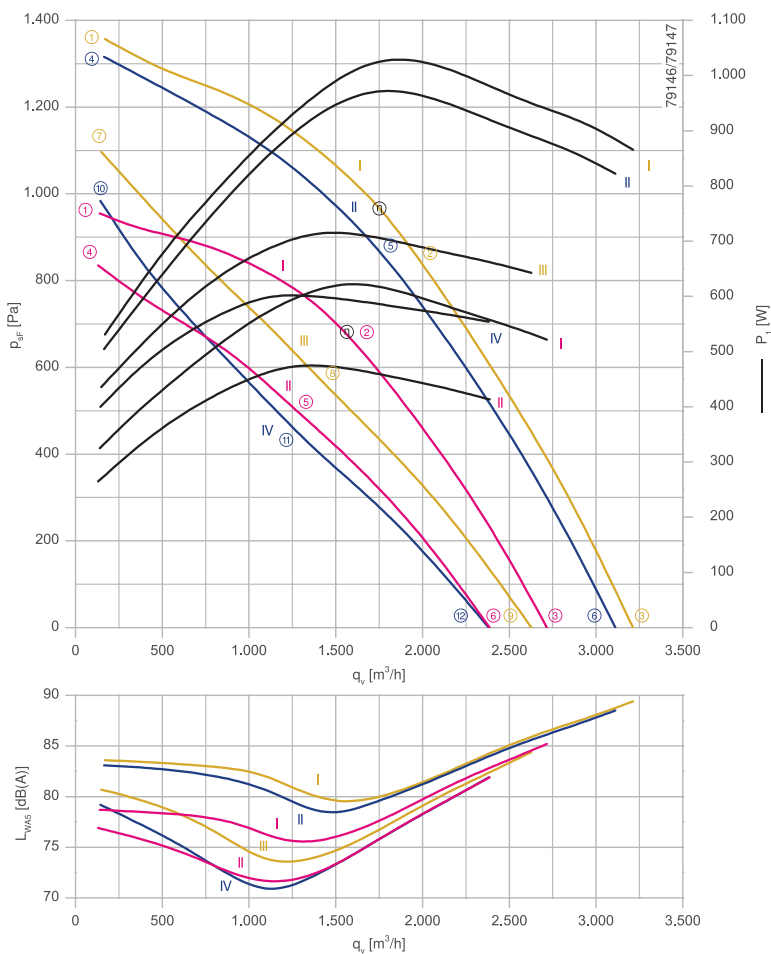
RH28C-2D



Description

Motor technology: AC
 Rated voltage U_N :
 3~ 230/400 V (Δ/Y) | 3~230/400 V (Δ/Y) | 3~265/460 V (Δ/Y) *
 Rated frequency f_N : 50 Hz | 60 Hz | 60 Hz*
 Input power P_i :
 620 W | 980 W | 1.05 kW*
 Rated current I_N :
 2.10/1.20 A | 2.80/1.60 A | 2.70/1.55 A*
 Rated speed n_n :
 2790 min⁻¹ | 3150 min⁻¹ | 3270 min⁻¹*
 Starting current I_A : 11.00/6,50 A | 10,00/6,00 A | 12,00/7,00 A
 Current increase ΔI : 15 % | 10 % | 15 %
 Thermal class: THCL155*
 Min. permitted ambient temperature $t_{R(min)}$: -40 °C
 Max. permitted ambient temperature $t_{R(max)}$:
 70 °C | 65 °C | 65 °C
 Electrical connection: Supply cable side, 105cm
 Degree of protection : IP54
 Motor protection: thermal contact
 Impeller : aluminium, unpainted
 Motor: Aluminium, 1 coat paint, pebble grey
 Conformity: CE
 * Rated data

Characteristic curve

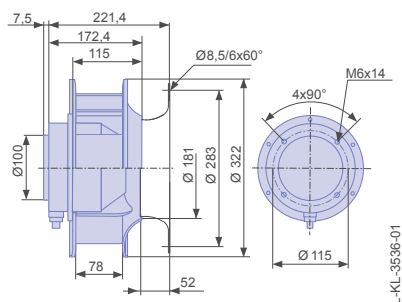


Measured with inlet ring, without guard grille according to ISO 5801

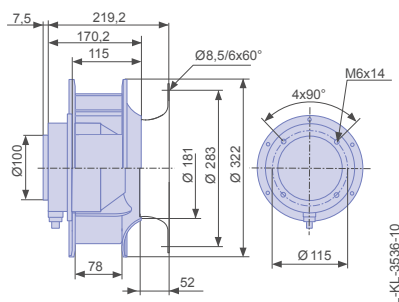
| | | | |
|--------------------|------------|---------------|----------|
| Inlet ring | 00401778 | RAL 7032 | Page 302 |
| | | (pebble grey) | |
| Inlet ring | 00400804 | unpainted | |
| Connection diagram | 1360-106XA | | Page 327 |

Dimensions mm

Free-running motorized impeller RH
in installation position H/Vu



Free-running motorized impeller RH
in installation position H/Vo



Performance data

| Type | Characteristic curve | Voltage | Frequency | Operating point | Current | Input power | Speed | Suction side sound power level L _{WA5} dB(A) |
|-----------------|----------------------|---------|-----------|-----------------|---------|---------------------|------------------------|---|
| | | U V | f Hz | | I A | P ₁ W | n min ⁻¹ | |
| RH28C-2DD.3I.1R | I | 400 | 50 | ① | 0.92 | 320 | 2910 | 79 |
| | | 400* | | ② | 1.20* | 620* | 2790* | 76 |
| | | 400 | | ③ | 1.10 | 520 | 2830 | 85 |
| | II | 230 | | ④ | 0.78 | 260 | 2710 | 77 |
| | | 230 | | ⑤ | 1.35 | 480 | 2380 | 72 |
| | | 230 | | ⑥ | 1.20 | 420 | 2490 | 82 |
| | I | 460 | 60 | ① | 0.98 | 540 | 3460 | 84 |
| | | 460* | | ② | 1.55* | 1050* | 3270* | 81 |
| | | 460 | | ③ | 1.35 | 860 | 3340 | 89 |
| | II | 400 | | ④ | 0.94 | 500 | 3410 | 83 |
| | | 400* | | ⑤ | 1.60* | 980* | 3150* | 80 |
| | | 400 | | ⑥ | 1.40 | 820 | 3240 | 89 |
| | III | 265 | ⑦ | 1.10 | 440 | 3120 | 81 | |
| | | 265 | ⑧ | 1.80 | 720 | 2560 | 74 | |
| | | 265 | ⑨ | 1.60 | 640 | 2740 | 84 | |
| | IV | 230 | ⑩ | 1.15 | 400 | 2950 | 79 | |
| | | 230 | ⑪ | 1.75 | 600 | 2300 | 72 | |
| | | 230 | ⑫ | 1.60 | 560 | 2490 | 82 | |

*rated data

Fan ordering information

| | | |
|---------------------------|--|--|
| Design | RH* | RH* |
| Installation position | H/Vu | H/Vo |
| |  |  |
| Type | RH28C-2DD.3I.1R | RH28C-2DD.3I.1R |
| Article no. | 172168 | 175255 |
| Weight kg | 10.00 | 10.00 |
| * inlet ring not included | | |

C-series

for three phase alternating current, 2 pole

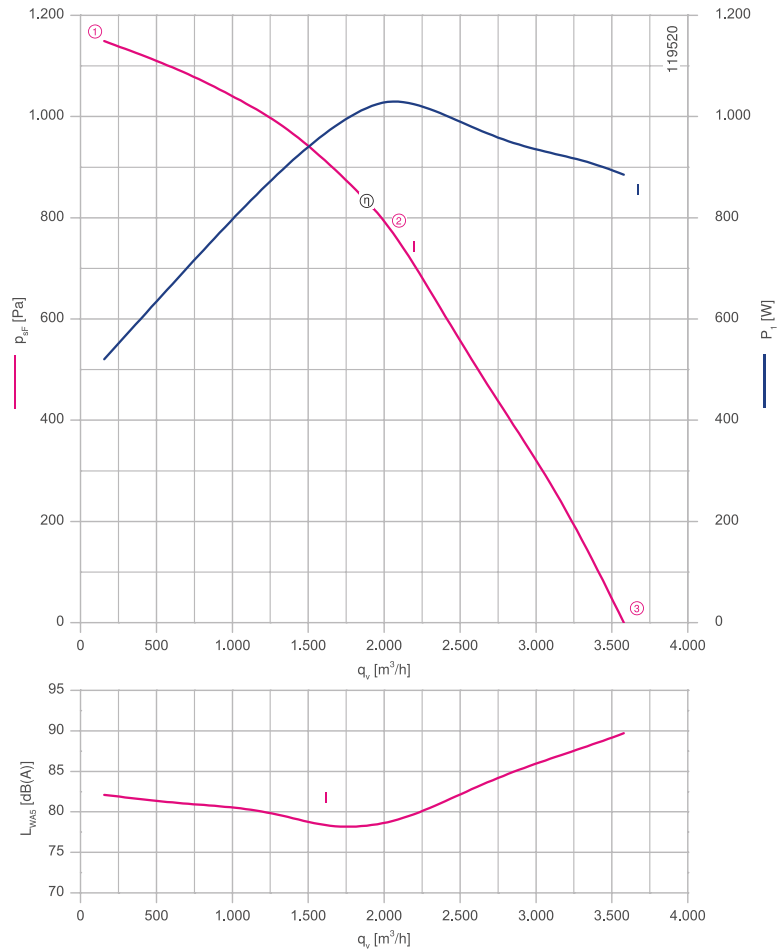
RH31C-2D



Description

Motor technology: AC
 Rated voltage U_N : 3~ 230/400 V (Δ/Y)*
 Rated frequency f_N : 50 Hz*
 Input power P_i : 1.05 kW*
 Rated current I_N : 2.90/1.70 A*
 Rated speed n_N : 2670 min⁻¹*
 Starting current I_s : 13,00/7,50 A
 Thermal class: THCL155*
 Min. permitted ambient temperature $t_{R(min)}$: -40 °C
 Max. permitted ambient temperature $t_{R(max)}$: 60 °C
 Electrical connection: Supply cable side, 105cm
 Degree of protection : IP54
 Motor protection: thermal contact
 Impeller : aluminium, unpainted
 Motor: Aluminium, 1 coat paint, pebble grey
 Conformity: CE
 * Rated data

Characteristic curve

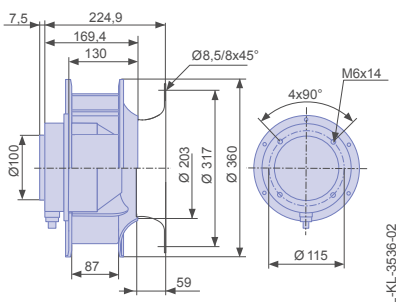


Measured with inlet ring, without guard grille according to ISO 5801
 Not voltage controllable fan.

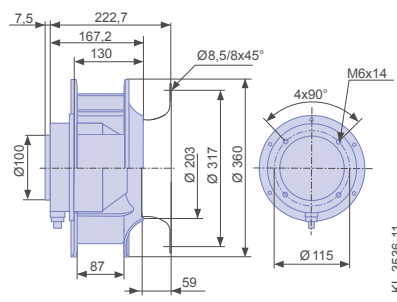
| | | | |
|--------------------|------------|---------------|----------|
| Inlet ring | 00411853 | RAL 7032 | Page 302 |
| | | (pebble grey) | |
| Inlet ring | 00411846 | unpainted | |
| Connection diagram | 1360-106XA | | Page 327 |

Dimensions mm

Free-running motorized impeller RH
in installation position H/Vu



Free-running motorized impeller RH
in installation position H/Vo





Performance data

| Type | Characteristic curve | Voltage | Operating point | Current | Input power | Speed | Suction side sound power level L_{WAS} dB(A) |
|-----------------|----------------------|---------|-----------------|---------|-------------|------------------------|--|
| | | U V | | I A | P_1 W | n min ⁻¹ | |
| RH31C-2DK.3I.1R | I | 400 | ① | 1.05 | 520 | 2860 | 82 |
| | | 400* | ② | 1.70* | 1050* | 2670* | 79 |
| | | 400 | ③ | 1.50 | 880 | 2740 | 90 |

*rated data

Fan ordering information

| | | |
|---------------------------|---|---|
| Design | RH* | RH* |
| Installation position | H/Vu | H/Vo |
| |  |  |
| Type | RH31C-2DK.3I.1R | RH31C-2DK.3I.1R |
| Article no. | 172169 | 175256 |
| Weight kg | 11.00 | 11.00 |
| * inlet ring not included | | |

Information

ZArail

Cpro-ECblue

C-ECblue

C series

N series

M series

FE2owlet

C-series

for three phase alternating current, 2 pole

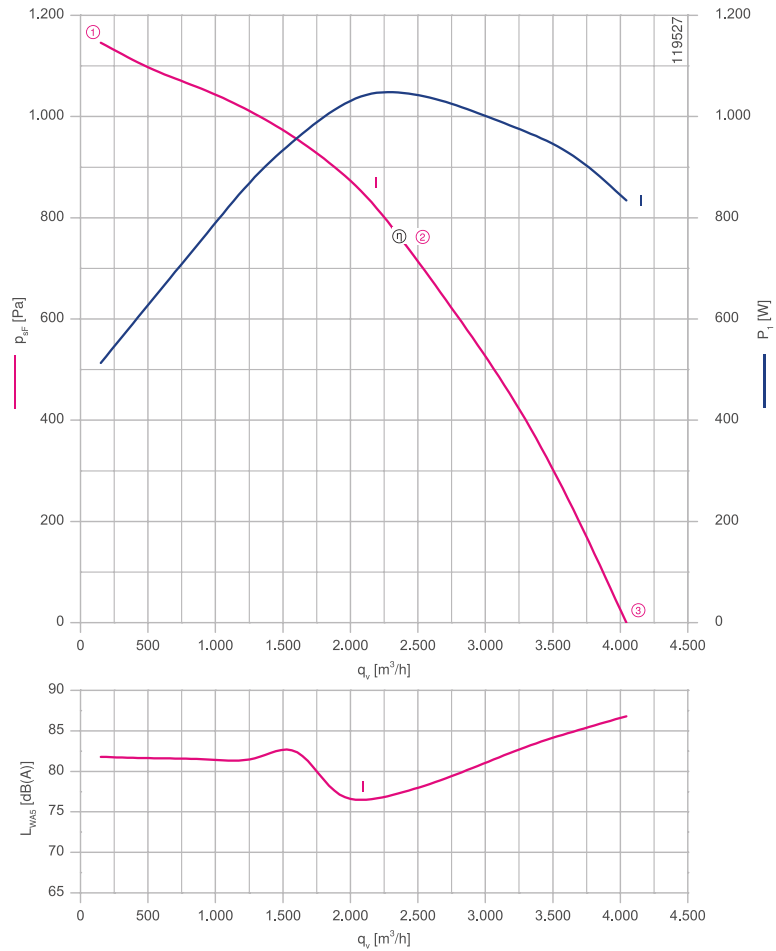
RH31C-2D



Description

Motor technology: AC
 Rated voltage U_N : 3~ 230/400 V (Δ/Y)*
 Rated frequency f_N : 50 Hz*
 Input power P_i : 1.05 kW*
 Rated current I_N : 2.90/1.70 A*
 Rated speed n_N : 2680 min⁻¹*
 Starting current I_s : 13,00/7,50 A
 Thermal class: THCL155*
 Min. permitted ambient temperature $t_{R(min)}$: -40 °C
 Max. permitted ambient temperature $t_{R(max)}$: 60 °C
 Electrical connection: Supply cable side, 105cm
 Degree of protection : IP54
 Motor protection: thermal contact
 Impeller : aluminium, unpainted
 Motor: Aluminium, 1 coat paint, pebble grey
 Conformity: CE
 * Rated data

Characteristic curve

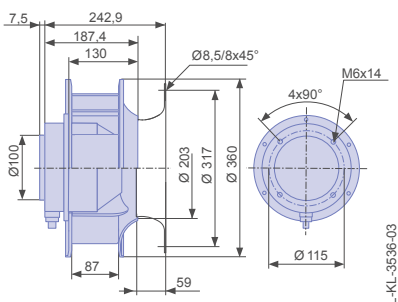


Measured with inlet ring, without guard grille according to ISO 5801
 Not voltage controllable fan.

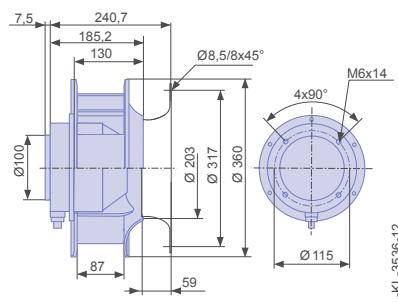
| | | | |
|--------------------|------------|---------------|----------|
| Inlet ring | 00411853 | RAL 7032 | Page 302 |
| | | (pebble grey) | |
| Inlet ring | 00411846 | unpainted | |
| Connection diagram | 1360-106XA | | Page 327 |

Dimensions mm

Free-running motorized impeller RH
in installation position H/Vu



Free-running motorized impeller RH
in installation position H/Vo





Performance data

| Type | Characteristic curve | Voltage | Operating point | Current | Input power | Speed | Suction side sound power level L_{WAS} dB(A) |
|-----------------|----------------------|---------|-----------------|---------|-------------|------------------------|--|
| | | U V | | I A | P_1 W | n min ⁻¹ | |
| RH31C-2DD.3I.1R | I | 400 | ① | 1.05 | 520 | 2860 | 82 |
| | | 400* | ② | 1.70* | 1050* | 2680* | 77 |
| | | 400 | ③ | 1.45 | 840 | 2760 | 87 |

*rated data

Fan ordering information

| | | |
|---------------------------|---|---|
| Design | RH* | RH* |
| Installation position | H/Vu | H/Vo |
| |  |  |
| Type | RH31C-2DD.3I.1R | RH31C-2DD.3I.1R |
| Article no. | 172170 | 175257 |
| Weight kg | 11.00 | 11.00 |
| * inlet ring not included | | |

Information

ZArail

Cpro-ECblue

C-ECblue

C series

N series

M series

FE2owlet

C-series

for three phase alternating current, 2 pole

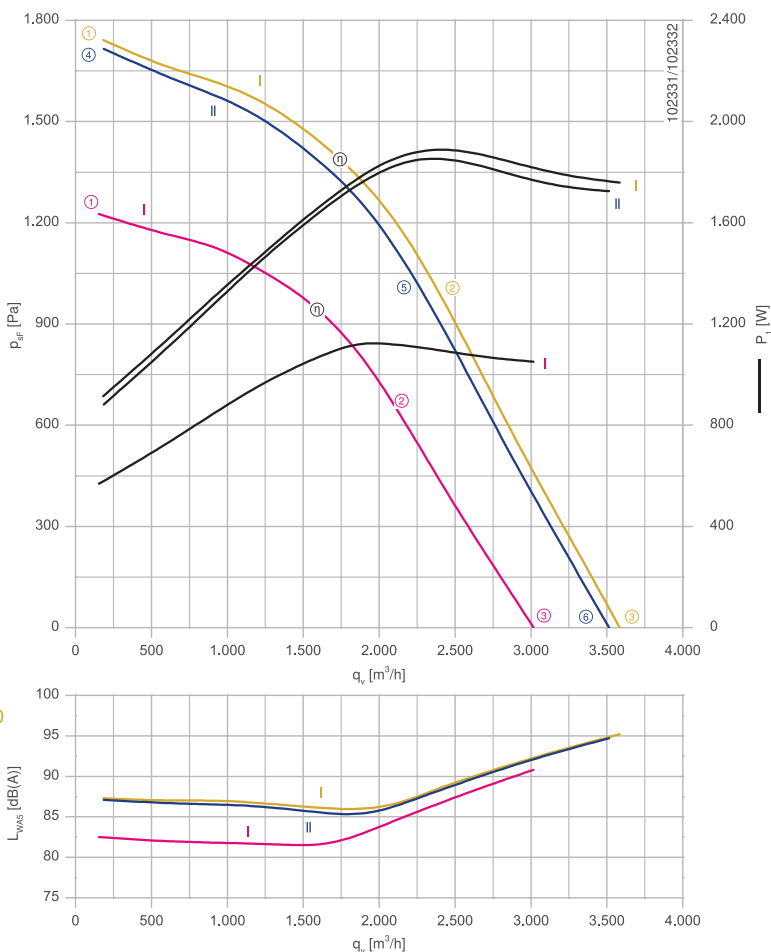
RH31C-2D



Description

Motor technology: AC
 Rated voltage U_N :
 3~ 230/400 V (Δ/Y) | 3~230/400 V (Δ/Y) | 3~265/460 V (Δ/Y) *
 Rated frequency f_N : 50 Hz | 60 Hz | 60 Hz*
 Input power P_i :
 1.10 kW | 1.85 kW | 1.90 kW*
 Rated current I_N :
 3.40/1.95 A | 5.00/2.90 A | 4.50/2.60 A*
 Rated speed n_n :
 2880 min⁻¹ | 3330 min⁻¹ | 3400 min⁻¹*
 Starting current I_A : 26,00/15,00 A | 24,00/14,00 A | 28,00/17,00 A
 Thermal class: THCL155*
 Min. permitted ambient temperature $t_{R(min)}$: -20 °C
 Max. permitted ambient temperature $t_{R(max)}$:
 70 °C | 70 °C | 70 °C
 Electrical connection: Supply cable side, 105cm
 Degree of protection : IP54
 Motor protection: thermal contact
 Impeller : bright sheet metal, powder-coated, ultramarine blue
 Motor: Aluminium, 1 coat paint, pebble grey
 Conformity: CE
 * Rated data

Characteristic curve

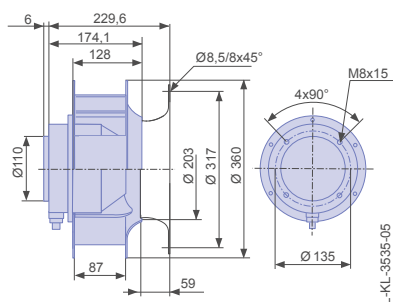


Measured with inlet ring, without guard grille according to ISO 5801
 Not voltage controllable fan.

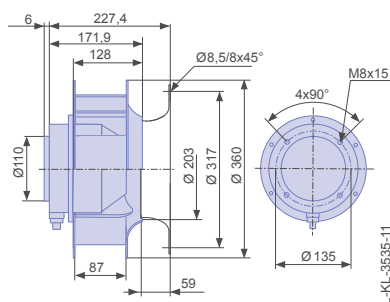
| | | | |
|--------------------|------------|---------------|----------|
| Inlet ring | 00411853 | RAL 7032 | Page 302 |
| | | (pebble grey) | |
| Inlet ring | 00411846 | unpainted | |
| Connection diagram | 1360-106XA | | Page 327 |

Dimensions mm

Free-running motorized impeller RH
in installation position H/Vu



Free-running motorized impeller RH
in installation position H/Vo

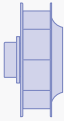


Performance data

| Type | Characteristic curve | Voltage | Frequency | Operating point | Current | Input power | Speed | Suction side sound power level L_{WA5} dB(A) |
|-----------------|----------------------|---------|-----------|-----------------|---------|-------------|------------------------|--|
| | | U V | f Hz | | I A | P_1 W | n min ⁻¹ | |
| RH31C-2DK.5L.1R | I | 400 | 50 | ① | 1.35 | 560 | 2940 | 83 |
| | | 400* | | ② | 1.95* | 1100* | 2880* | 84 |
| | | 400 | | ③ | 1.85 | 1050 | 2880 | 91 |
| | | 460 | 60 | ① | 1.50 | 920 | 3530 | 87 |
| | | 460* | | ② | 2.60* | 1900* | 3400* | 88 |
| | | 460 | | ③ | 2.50 | 1750 | 3430 | 95 |
| | II | 400 | ④ | 1.50 | 880 | 3500 | 87 | |
| | | 400* | ⑤ | 2.90* | 1850* | 3330* | 87 | |
| | | 400 | ⑥ | 2.70 | 1700 | 3360 | 95 | |

*rated data

Fan ordering information

| | | |
|---------------------------|---|---|
| Design | RH* | RH* |
| Installation position | H/Vu | H/Vo |
| |  |  |
| Type | RH31C-2DK.5L.1R | RH31C-2DK.5L.1R |
| Article no. | 172171 | 175258 |
| Weight kg | 18.00 | 18.00 |
| * inlet ring not included | | |

Information

ZArail

Cpro-ECblue

C-ECblue

C series

N series

M series

FE2owllet

C-series

for three phase alternating current, 2 pole

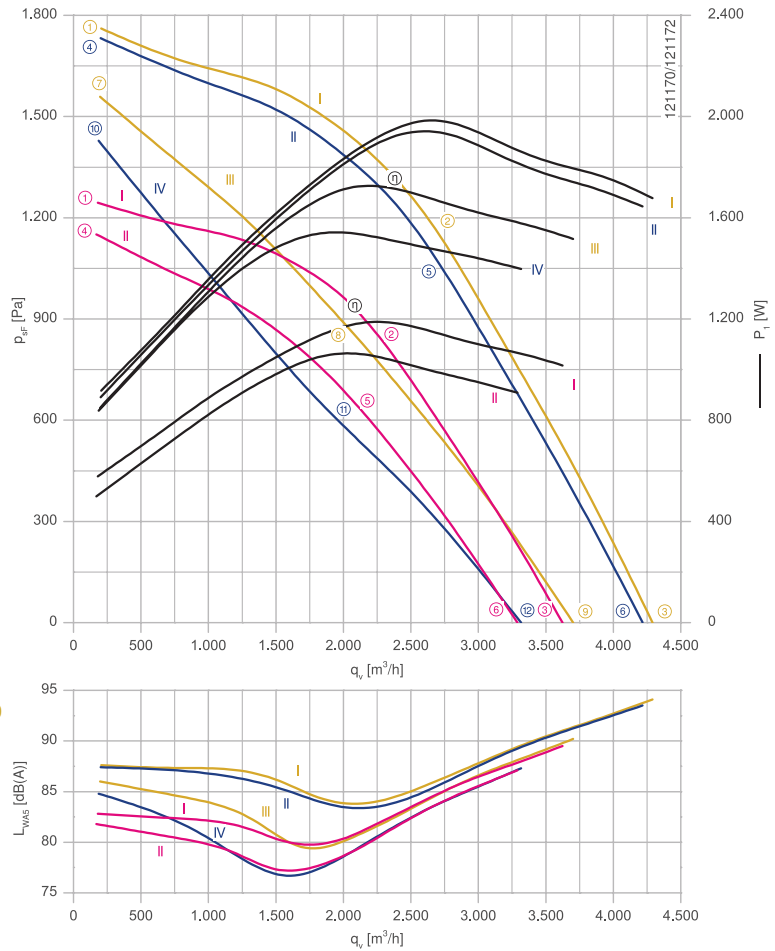
RH31C-2D



Description

Motor technology: AC
 Rated voltage U_N :
 3~ 230/400 V (Δ/Y) | 3~230/400 V (Δ/Y) *
 Rated frequency f_N : 50 Hz | 60 Hz | 60 Hz*
 Input power P_i :
 1.20 kW | 1.95 kW | 2.00 kW*
 Rated current I_N :
 3.50/2.00 A | 5.20/3.00 A | 4.70/2.70 A*
 Rated speed n_n :
 2870 min⁻¹ | 3320 min⁻¹ | 3390 min⁻¹*
 Starting current I_A : 26,00/15,00 A | 24,00/14,00 A | 28,00/17,00 A
 Thermal class: THCL155*
 Min. permitted ambient temperature $t_{R(min)}$: -20 °C
 Max. permitted ambient temperature $t_{R(max)}$:
 70 °C | 60 °C | 60 °C
 Electrical connection: Supply cable side, 105cm
 Degree of protection : IP54
 Motor protection: thermal contact
 Impeller : bright sheet metal, powder-coated, ultramarine blue
 Motor: Aluminium, 1 coat paint, pebble grey
 Conformity: CE
 * Rated data

Characteristic curve

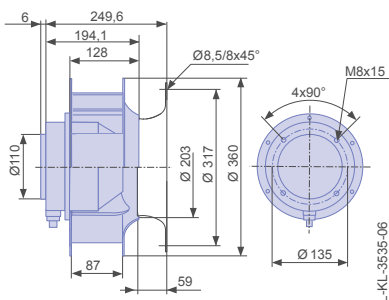


Measured with inlet ring, without guard grille according to ISO 5801

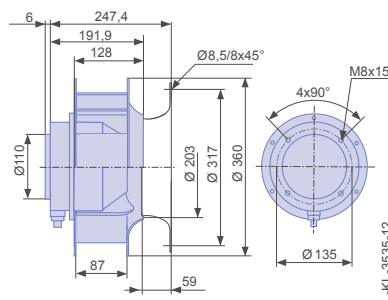
| | | | |
|--------------------|------------|---------------|----------|
| Inlet ring | 00411853 | RAL 7032 | Page 302 |
| | | (pebble grey) | |
| Inlet ring | 00411846 | unpainted | |
| Connection diagram | 1360-106XA | | Page 327 |

Dimensions mm

Free-running motorized impeller RH
in installation position H/Vu



Free-running motorized impeller RH
in installation position H/Vo




Performance data

| Type | Characteristic curve | Voltage | Frequency | Operating point | Current | Input power | Speed | Suction side sound power level L_{WA5} dB(A) |
|-----------------|----------------------|---------|-----------|-----------------|---------|-------------|------------------------|--|
| | | U V | f Hz | | I A | P_1 W | n min ⁻¹ | |
| RH31C-2DD.5L.1R | I | 400 | 50 | ① | 1.35 | 580 | 2950 | 83 |
| | | 400* | | ② | 2.00* | 1200* | 2870* | 82 |
| | | 400 | | ③ | 1.85 | 1000 | 2900 | 90 |
| | II | 230 | | ④ | 1.35 | 500 | 2840 | 82 |
| | | 230 | | ⑤ | 2.80 | 1050 | 2570 | 79 |
| | | 230 | | ⑥ | 2.40 | 900 | 2660 | 87 |
| | I | 460 | 60 | ① | 1.50 | 920 | 3520 | 88 |
| | | 460* | | ② | 2.70* | 2000* | 3390* | 86 |
| | | 460 | | ③ | 2.40 | 1700 | 3430 | 94 |
| | II | 400 | | ④ | 1.50 | 900 | 3490 | 87 |
| | | 400* | | ⑤ | 3.00* | 1950* | 3320* | 86 |
| | | 400 | | ⑥ | 2.60 | 1650 | 3370 | 94 |
| | III | 265 | ⑦ | 1.95 | 840 | 3320 | 86 | |
| | | 265 | ⑧ | 4.00 | 1700 | 2800 | 80 | |
| | | 265 | ⑨ | 3.60 | 1500 | 2970 | 90 | |
| | IV | 230 | ⑩ | 2.20 | 840 | 3180 | 85 | |
| | | 230 | ⑪ | 4.20 | 1550 | 2450 | 78 | |
| | | 230 | ⑫ | 3.80 | 1400 | 2690 | 87 | |

*rated data

Fan ordering information

| | | |
|---------------------------|--|--|
| Design | RH* | RH* |
| Installation position | H/Vu | H/Vo |
| |  |  |
| Type | RH31C-2DD.5L.1R | RH31C-2DD.5L.1R |
| Article no. | 172172 | 175259 |
| Weight kg | 19.00 | 19.00 |
| * inlet ring not included | | |

C-series

for three phase alternating current, 4 pole

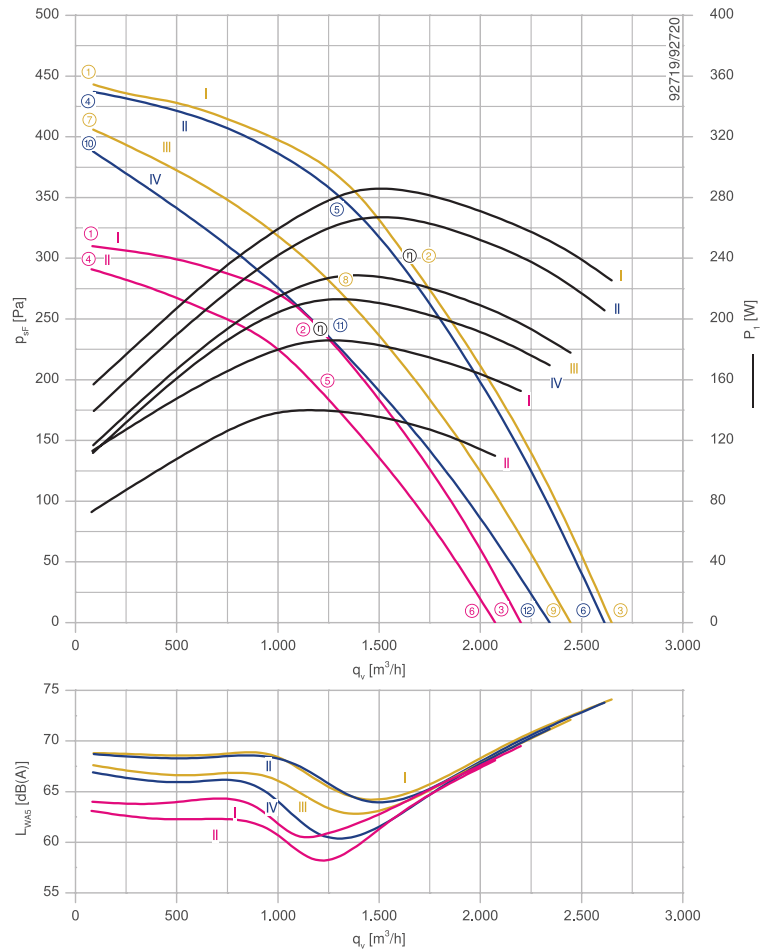
RH31C-4D



Description

Motor technology: AC
 Rated voltage U_N :
 3~ 230/400 V (Δ/Y) | 3-230/400 V (Δ/Y) | 3-265/460 V (Δ/Y) *
 Rated frequency f_N : 50 Hz | 60 Hz | 60 Hz*
 Input power P_i :
 190 W | 270 W | 290 W*
 Rated current I_N :
 0.94/0.54 A | 0.90/0.52 A | 0.96/0.56 A*
 Rated speed n_n :
 1440 min⁻¹ | 1690 min⁻¹ | 1720 min⁻¹*
 Starting current I_s : 4.0/2.80 A | 4.40/2.60 A | 5.00/3.00 A
 Current increase ΔI : 0 % | 0 % | 0 %
 Thermal class: THCL155*
 Min. permitted ambient temperature $t_{R(min)}$: -40 °C
 Max. permitted ambient temperature $t_{R(max)}$:
 70 °C | 70 °C | 70 °C
 Electrical connection: Supply cable side, 105cm
 Degree of protection : IP54
 Motor protection: thermal contact
 Impeller : aluminium, unpainted
 Motor: Aluminium, 1 coat paint, pebble grey
 Conformity: CE
 * Rated data

Characteristic curve

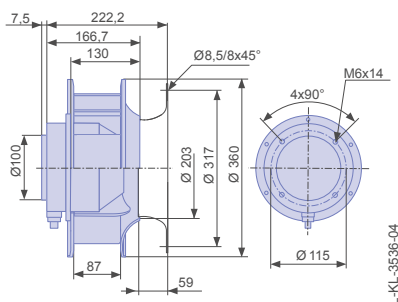


Measured with inlet ring, without guard grille according to ISO 5801

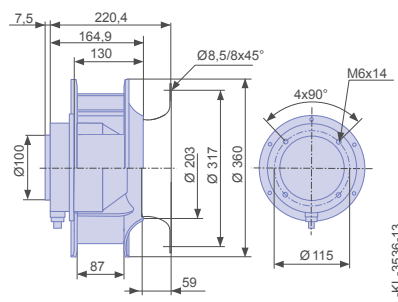
| | | | |
|--------------------|------------|---------------|----------|
| Inlet ring | 00411853 | RAL 7032 | Page 302 |
| | | (pebble grey) | |
| Inlet ring | 00411846 | unpainted | |
| Connection diagram | 1360-106XA | | Page 327 |

Dimensions mm

Free-running motorized impeller RH
in installation position H/Vu



Free-running motorized impeller RH
in installation position H/Vo



Performance data

| Type | Characteristic curve | Voltage | Frequency | Operating point | Current | Input power | Speed | Suction side sound power level L_{WA5} dB(A) |
|-----------------|----------------------|---------|-----------|-----------------|---------|-------------|------------------------|--|
| | | U V | f Hz | | I A | P_1 W | n min ⁻¹ | |
| RH31C-4DK.4C.1R | I | 400 | 50 | ① | 0.50 | 110 | 1470 | 64 |
| | | 400* | | ② | 0.54* | 190* | 1440* | 61 |
| | | 400 | | ③ | 0.52 | 150 | 1460 | 70 |
| | II | 230 | | ④ | 0.27 | 75 | 1430 | 63 |
| | | 230 | | ⑤ | 0.42 | 140 | 1340 | 58 |
| | | 230 | | ⑥ | 0.34 | 110 | 1380 | 68 |
| | I | 460 | 60 | ① | 0.46 | 160 | 1770 | 69 |
| | | 460* | | ② | 0.56* | 290* | 1720* | 65 |
| | | 460 | | ③ | 0.52 | 230 | 1740 | 74 |
| | II | 400 | | ④ | 0.38 | 140 | 1750 | 69 |
| | | 400* | | ⑤ | 0.52* | 270* | 1690* | 64 |
| | | 400 | | ⑥ | 0.44 | 210 | 1720 | 74 |
| | III | 265 | ⑦ | 0.32 | 120 | 1690 | 68 | |
| | | 265 | ⑧ | 0.56 | 230 | 1540 | 63 | |
| | | 265 | ⑨ | 0.44 | 180 | 1610 | 72 | |
| | IV | 230 | ⑩ | 0.33 | 110 | 1650 | 67 | |
| | | 230 | ⑪ | 0.60 | 210 | 1440 | 61 | |
| | | 230 | ⑫ | 0.48 | 170 | 1550 | 71 | |

*rated data

Fan ordering information

| | | |
|---------------------------|--|--|
| Design | RH* | RH* |
| Installation position | H/Vu | H/Vo |
| |  |  |
| Type | RH31C-4DK.4C.1R | RH31C-4DK.4C.1R |
| Article no. | 172173 | 175260 |
| Weight kg | 7.00 | 7.00 |
| * inlet ring not included | | |

C-series

for three phase alternating current, 2 pole

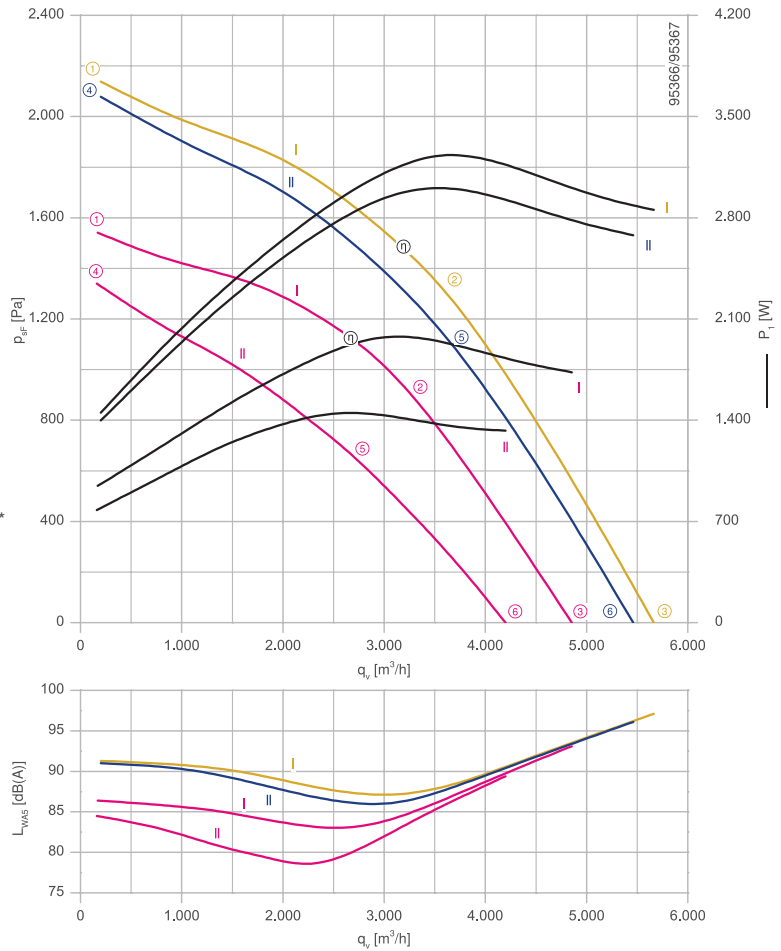
RH35C-2D



Description

Motor technology: AC
 Rated voltage U_N :
 3- 230/400 V (Δ/Y) | 3-230/400 V (Δ/Y) | 3-265/460 V (Δ/Y) *
 Rated frequency f_N : 50 Hz | 60 Hz | 60 Hz*
 Input power P_i :
 2.00 kW | 3.00 kW | 3.20 kW*
 Rated current I_N :
 6.00/3.50 A | 8.40/4.80 A | 8.00/4.60 A*
 Rated speed n_N :
 2760 min⁻¹ | 3070 min⁻¹ | 3200 min⁻¹*
 Current increase ΔI : 15 %
 Thermal class: THCL155*
 Min. permitted ambient temperature $t_{R(min)}$: -40 °C
 Max. permitted ambient temperature $t_{R(max)}$:
 70 °C | 40 °C | 50 °C
 Electrical connection: Supply cable side, 105cm
 Degree of protection : IP54
 Motor protection: thermal contact
 Impeller : aluminium, unpainted
 Motor: Aluminium, 1 coat paint, pebble grey
 Conformity: CE
 * Rated data

Characteristic curve

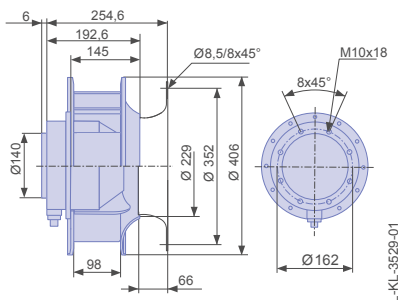


Measured with inlet ring, without guard grille according to ISO 5801
 Not 60Hz voltage controllable fan.

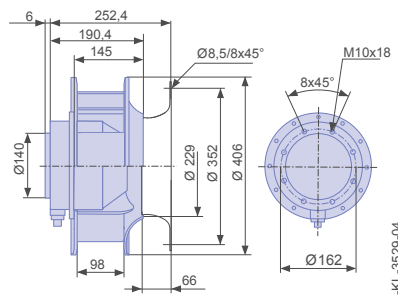
| | | | |
|--------------------|------------|---------------|----------|
| Inlet ring | 00411854 | RAL 7032 | Page 302 |
| | | (pebble grey) | |
| Inlet ring | 00411847 | unpainted | |
| Connection diagram | 1360-106XA | | Page 327 |

Dimensions mm

Free-running motorized impeller RH
in installation position H/Vu



Free-running motorized impeller RH
in installation position H/Vo



Performance data

| Type | Characteristic curve | Voltage | Frequency | Operating point | Current | Input power | Speed | Suction side sound power level L_{WA5} dB(A) |
|-----------------|----------------------|---------|-----------|-----------------|---------|-------------|------------------------|--|
| | | U V | f Hz | | I A | P_1 W | n min ⁻¹ | |
| RH35C-2DK.6K.1R | I | 400 | 50 | ① | 2.30 | 940 | 2900 | 86 |
| | | 400* | | ② | 3.50* | 2000* | 2760* | 85 |
| | | 400 | | ③ | 3.20 | 1750 | 2800 | 93 |
| | | 230 | | ④ | 2.10 | 780 | 2710 | 85 |
| | | 230 | | ⑤ | 4.00 | 1450 | 2320 | 80 |
| | | 230 | | ⑥ | 3.70 | 1350 | 2410 | 89 |
| | I | 460 | 60 | ① | 2.50 | 1450 | 3450 | 91 |
| | | 460* | | ② | 4.60* | 3200* | 3200* | 88 |
| | | 460 | | ③ | 4.20 | 2900 | 3260 | 97 |
| | | 400 | | ④ | 2.40 | 1400 | 3410 | 91 |
| | | 400* | | ⑤ | 4.80* | 3000* | 3070* | 88 |
| | | 400 | | ⑥ | 4.40 | 2700 | 3150 | 96 |
| | II | 400 | 50 | ① | 2.30 | 940 | 2900 | 86 |
| | | 400* | | ② | 3.50* | 2000* | 2760* | 85 |
| | | 400 | | ③ | 3.20 | 1750 | 2800 | 93 |
| | | 230 | | ④ | 2.10 | 780 | 2710 | 85 |
| | | 230 | | ⑤ | 4.00 | 1450 | 2320 | 80 |
| | | 230 | | ⑥ | 3.70 | 1350 | 2410 | 89 |

*rated data

Fan ordering information

| | | |
|---------------------------|---|---|
| Design | RH* | RH* |
| Installation position | H/Vu | H/Vo |
| |  |  |
| Type | RH35C-2DK.6K.1R | RH35C-2DK.6K.1R |
| Article no. | 172174 | 175261 |
| Weight kg | 19.00 | 19.00 |
| * inlet ring not included | | |

C-series

for three phase alternating current, 2 pole

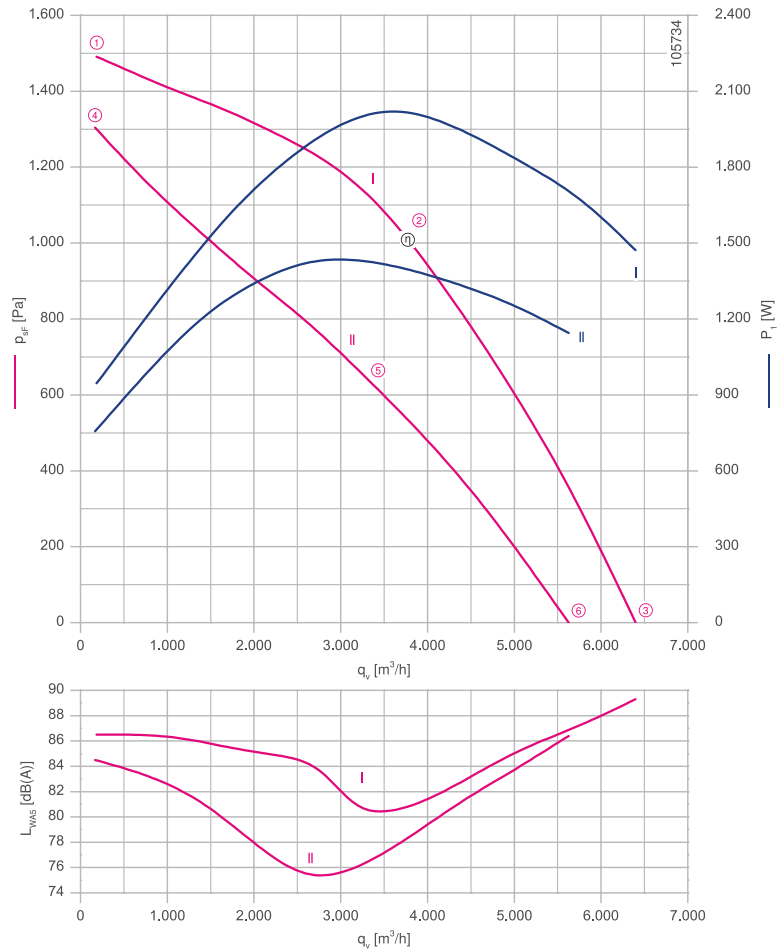
RH35C-2D



Description

Motor technology: AC
 Rated voltage U_N : 3~ 230/400 V (Δ/Y)*
 Rated frequency f_N : 50 Hz*
 Input power P_i : 2.00 kW*
 Rated current I_N : 6.60/3.80 A*
 Rated speed n_N : 2750 min⁻¹*
 Current increase ΔI : 10 %
 Thermal class: THCL155*
 Min. permitted ambient temperature $t_{R(min)}$: -40 °C
 Max. permitted ambient temperature $t_{R(max)}$: 60 °C
 Electrical connection: Supply cable side, 105cm
 Degree of protection : IP54
 Motor protection: thermal contact
 Impeller : aluminium, unpainted
 Motor: Aluminium, 1 coat paint, pebble grey
 Conformity: CE
 * Rated data

Characteristic curve

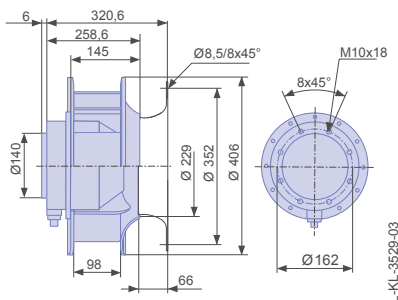


Measured with inlet ring, without guard grille according to ISO 5801
 Not voltage controllable fan.

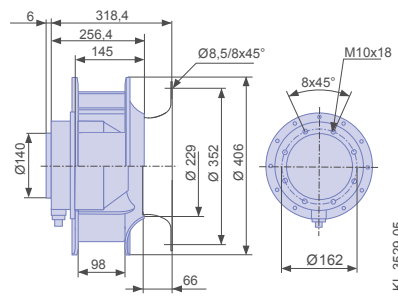
| | | | |
|--------------------|------------|---------------------------|----------|
| Inlet ring | 00411854 | RAL 7032 (pebble grey) | Page 302 |
| Inlet ring | 00411847 | unpainted | |
| Connection diagram | 1360-106XA | | Page 327 |

Dimensions mm

Free-running motorized impeller RH
 in installation position H/Vu



Free-running motorized impeller RH
 in installation position H/Vo



Performance data

| Type | Characteristic curve | Voltage | Operating point | Current | Input power | Speed | Suction side sound power level L_{WAS} dB(A) |
|-----------------|----------------------|---------|-----------------|---------|-------------|------------------------|--|
| | | U V | | I A | P_1 W | n min ⁻¹ | |
| RH35C-2DD.6K.1R | I | 400 | ① | 2.60 | 940 | 2900 | 87 |
| | | 400* | ② | 3.80* | 2000* | 2750* | 81 |
| | | 400 | ③ | 3.10 | 1450 | 2830 | 89 |

*rated data

Fan ordering information

| | | |
|---------------------------|---|---|
| Design | RH* | RH* |
| Installation position | H/Vu | H/Vo |
| |  |  |
| Type | RH35C-2DD.6K.1R | RH35C-2DD.6K.1R |
| Article no. | 172175 | 175262 |
| Weight kg | 19.00 | 19.00 |
| * inlet ring not included | | |

Information

ZArail

Cpro-ECblue

C-ECblue

C series

N series

M series

FE2owlet

C-series

for three phase alternating current, 4 pole

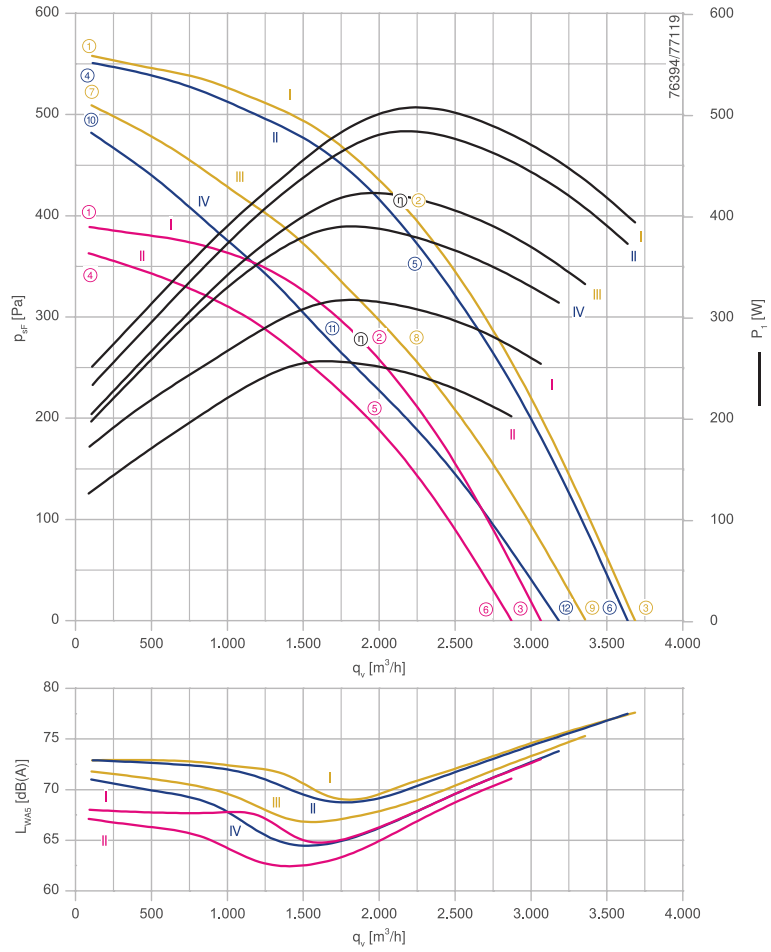
RH35C-4D



Description

Motor technology: AC
 Rated voltage U_N :
 3~ 230/400 V (Δ/Y) | 3-230/400 V (Δ/Y) | 3-265/460 V (Δ/Y) *
 Rated frequency f_N : 50 Hz | 60 Hz | 60 Hz*
 Input power P_i :
 320 W | 480 W | 500 W*
 Rated current I_N :
 1.40/0.82 A | 1.50/0.88 A | 1.55/0.90 A*
 Rated speed n_n :
 1440 min⁻¹ | 1680 min⁻¹ | 1710 min⁻¹*
 Starting current I_A : 8,00/4,60 A | 7,00/4,00 A | 8,50/4,80 A
 Current increase ΔI : 10 % | 30 % | 30 %
 Thermal class: THCL155*
 Min. permitted ambient temperature $t_{R(min)}$: -40 °C
 Max. permitted ambient temperature $t_{R(max)}$:
 60 °C | 60 °C | 60 °C
 Electrical connection: Supply cable side, 105cm
 Degree of protection : IP54
 Motor protection: thermal contact
 Impeller : aluminium, unpainted
 Motor: Aluminium, 1 coat paint, pebble grey
 Conformity: CE
 * Rated data

Characteristic curve

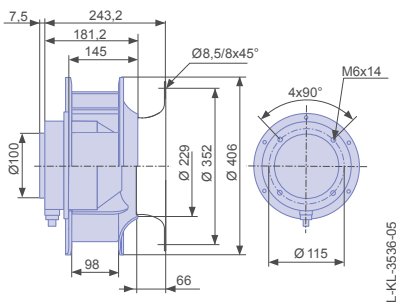


Measured with inlet ring, without guard grille according to ISO 5801

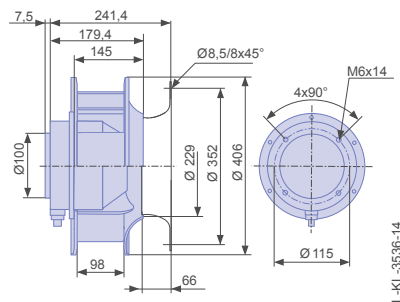
| | | | |
|--------------------|------------|---------------------------|----------|
| Inlet ring | 00411854 | RAL 7032 (pebble grey) | Page 302 |
| Inlet ring | 00411847 | unpainted | |
| Connection diagram | 1360-106XA | | Page 327 |

Dimensions mm

Free-running motorized impeller RH
in installation position H/Vu



Free-running motorized impeller RH
in installation position H/Vo



Performance data

| Type | Characteristic curve | Voltage | Frequency | Operating point | Current | Input power | Speed | Suction side sound power level L_{WA5} dB(A) |
|-----------------|----------------------|---------|-----------|-----------------|---------|-------------|------------------------|--|
| | | U V | f Hz | | I A | P_1 W | n min ⁻¹ | |
| RH35C-4DK.4F.1R | I | 400 | 50 | ① | 0.76 | 170 | 1470 | 68 |
| | | 400* | | ② | 0.82* | 320* | 1440* | 66 |
| | | 400 | | ③ | 0.78 | 250 | 1450 | 73 |
| | II | 230 | | ④ | 0.44 | 130 | 1420 | 67 |
| | | 230 | | ⑤ | 0.74 | 260 | 1320 | 64 |
| | | 230 | | ⑥ | 0.60 | 200 | 1360 | 71 |
| | I | 460 | 60 | ① | 0.72 | 250 | 1770 | 73 |
| | | 460* | | ② | 0.90* | 500* | 1710* | 70 |
| | | 460 | | ③ | 0.80 | 390 | 1740 | 78 |
| | II | 400 | | ④ | 0.60 | 230 | 1760 | 73 |
| | | 400* | | ⑤ | 0.88* | 480* | 1680* | 71 |
| | | 400 | | ⑥ | 0.74 | 370 | 1710 | 78 |
| | III | 265 | ⑦ | 0.54 | 210 | 1690 | 72 | |
| | | 265 | ⑧ | 1.05 | 420 | 1500 | 69 | |
| | | 265 | ⑨ | 0.84 | 330 | 1580 | 75 | |
| | IV | 230 | ⑩ | 0.58 | 200 | 1640 | 71 | |
| | | 230 | ⑪ | 1.10 | 390 | 1380 | 65 | |
| | | 230 | ⑫ | 0.90 | 320 | 1500 | 74 | |

*rated data

Fan ordering information

| | | |
|---------------------------|--|--|
| Design | RH* | RH* |
| Installation position | H/Vu | H/Vo |
| |  |  |
| Type | RH35C-4DK.4F.1R | RH35C-4DK.4F.1R |
| Article no. | 172176 | 175263 |
| Weight kg | 9.00 | 9.00 |
| * inlet ring not included | | |

Information

ZArail

Cpro-ECblue

C-ECblue

C series

N series

M series

FE2owlet

C-series

for three phase alternating current, 4 pole

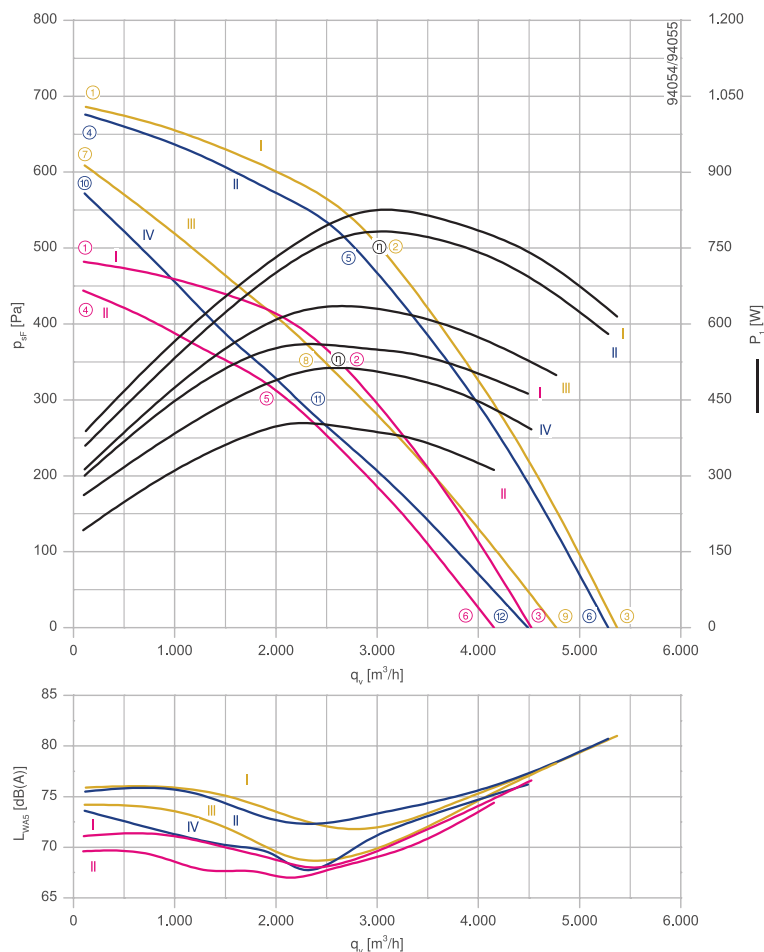
RH40C-4D



Description

Motor technology: AC
 Rated voltage U_N :
 3~ 230/400 V (Δ/Y) | 3-230/400 V (Δ/Y) | 3-265/460 V (Δ/Y) *
 Rated frequency f_N : 50 Hz | 60 Hz | 60 Hz*
 Input power P_i :
 520 W | 780 W | 820 W*
 Rated current I_N :
 2.20/1.30 A | 2.40/1.40 A | 2.50/1.45 A*
 Rated speed n_n :
 1420 min⁻¹ | 1630 min⁻¹ | 1670 min⁻¹*
 Starting current I_A : 11.00/6,50 A | 10,00/6,00 A | 12,00/7,00 A
 Current increase ΔI : 0 % | 15 % | 15 %
 Thermal class: THCL155*
 Min. permitted ambient temperature $t_{R(min)}$: -40 °C
 Max. permitted ambient temperature $t_{R(max)}$:
 60 °C | 60 °C | 60 °C
 Electrical connection: Supply cable side, 105cm
 Degree of protection : IP54
 Motor protection: thermal contact
 Impeller : aluminium, unpainted
 Motor: Aluminium, 1 coat paint, pebble grey
 Conformity: CE
 * Rated data

Characteristic curve

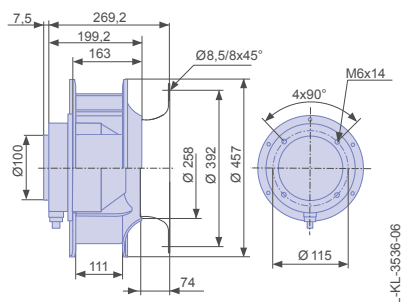


Measured with inlet ring, without guard grille according to ISO 5801

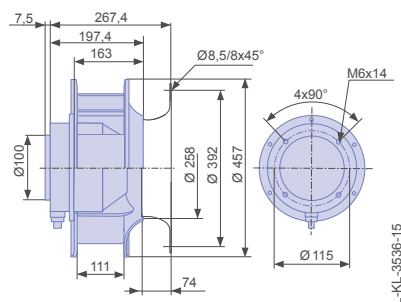
| | | | |
|--------------------|------------|---------------|----------|
| Inlet ring | 00411855 | RAL 7032 | Page 302 |
| | | (pebble grey) | |
| Inlet ring | 00411848 | unpainted | |
| Connection diagram | 1360-106XA | | Page 327 |

Dimensions mm

Free-running motorized impeller RH
in installation position H/Vu



Free-running motorized impeller RH
in installation position H/Vo



Performance data

| Type | Characteristic curve | Voltage | Frequency | Operating point | Current | Input power | Speed | Suction side sound power level L_{WA5} dB(A) |
|-----------------|----------------------|---------|-----------|-----------------|---------|-------------|------------------------|--|
| | | U V | f Hz | | I A | P_1 W | n min ⁻¹ | |
| RH40C-4DK.4I.1R | I | 400 | 50 | ① | 1.10 | 260 | 1470 | 71 |
| | | 400* | | ② | 1.30* | 520* | 1420* | 68 |
| | | 400 | | ③ | 1.20 | 390 | 1440 | 77 |
| | II | 230 | | ④ | 0.68 | 190 | 1400 | 70 |
| | | 230 | | ⑤ | 1.20 | 400 | 1260 | 67 |
| | | 230 | | ⑥ | 0.96 | 310 | 1330 | 74 |
| | I | 460 | 60 | ① | 1.05 | 390 | 1750 | 76 |
| | | 460* | | ② | 1.45* | 820* | 1670* | 72 |
| | | 460 | | ③ | 1.25 | 620 | 1710 | 81 |
| | II | 400 | | ④ | 0.90 | 360 | 1730 | 76 |
| | | 400* | | ⑤ | 1.40* | 780* | 1630* | 73 |
| | | 400 | | ⑥ | 1.15 | 580 | 1680 | 81 |
| | III | 265 | ⑦ | 0.84 | 310 | 1640 | 74 | |
| | | 265 | ⑧ | 1.65 | 640 | 1390 | 69 | |
| | | 265 | ⑨ | 1.30 | 500 | 1520 | 78 | |
| | IV | 230 | ⑩ | 0.90 | 300 | 1590 | 74 | |
| | | 230 | ⑪ | 1.70 | 560 | 1270 | 68 | |
| | | 230 | ⑫ | 1.35 | 460 | 1430 | 76 | |

*rated data

Fan ordering information

| | | |
|---------------------------|--|--|
| Design | RH* | RH* |
| Installation position | H/Vu | H/Vo |
| |  |  |
| Type | RH40C-4DK.4I.1R | RH40C-4DK.4I.1R |
| Article no. | 172178 | 175264 |
| Weight kg | 9.00 | 9.00 |
| * inlet ring not included | | |

Information

ZArail

Cpro-ECblue

C-ECblue

C series

N series

M series

FE2owllet

C-series

for three phase alternating current, 4 pole

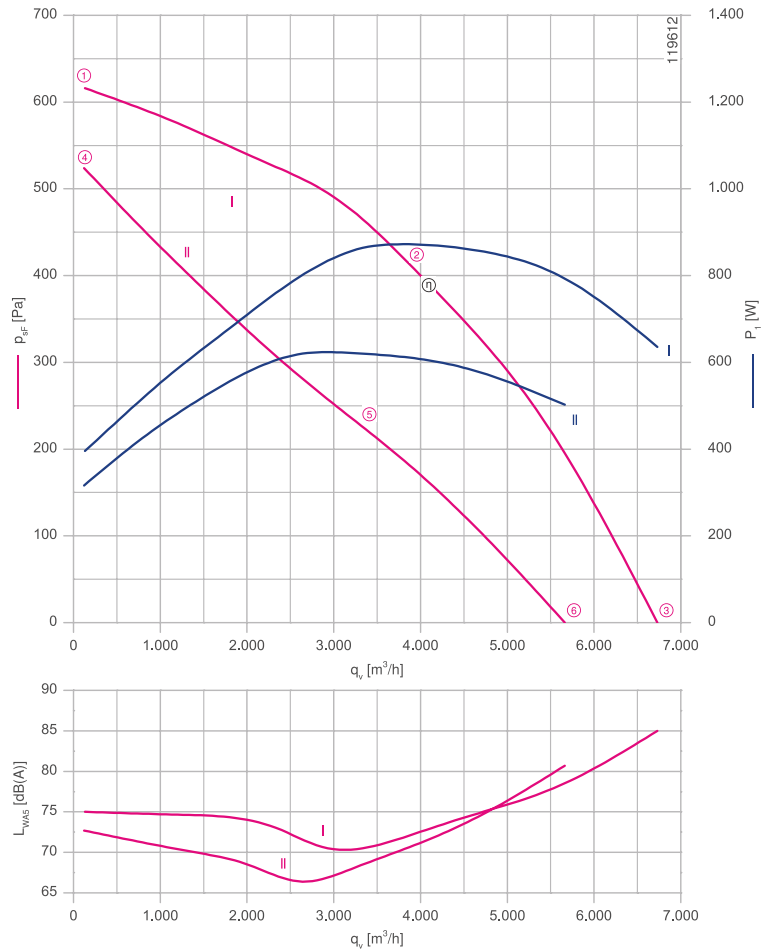
RH45C-4D



Description

Motor technology: AC
 Rated voltage U_N : 3~ 230/400 V (Δ/Y)*
 Rated frequency f_N : 50 Hz*
 Input power P_i : 880 W*
 Rated current I_N : 2.90/1.65 A*
 Rated speed n_N : 1360 min⁻¹*
 Starting current I_A : 11.00/6.50 A
 Current increase ΔI : 10 %
 Thermal class: THCL155*
 Min. permitted ambient temperature $t_{R(min)}$: -40 °C
 Max. permitted ambient temperature $t_{R(max)}$: 45 °C
 Electrical connection: Supply cable side, 105cm
 Degree of protection : IP54
 Motor protection: thermal contact
 Impeller : aluminium, unpainted
 Motor: Aluminium, 1 coat paint, pebble grey
 Conformity: CE
 * Rated data

Characteristic curve

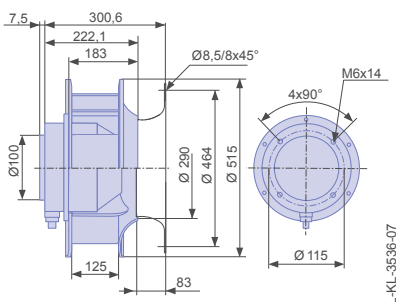


Measured with inlet ring, without guard grille according to ISO 5801

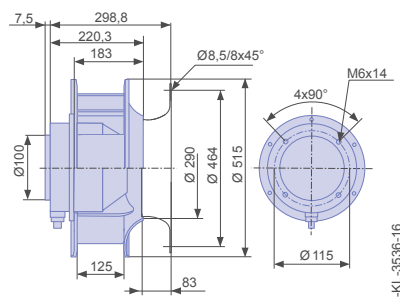
| | | | |
|--------------------|------------|---------------|----------|
| Inlet ring | 00411856 | RAL 7032 | Page 302 |
| | | (pebble grey) | |
| Inlet ring | 00411849 | unpainted | |
| Connection diagram | 1360-106XA | | Page 327 |

Dimensions mm

Free-running motorized impeller RH
in installation position H/Vu



Free-running motorized impeller RH
in installation position H/Vo

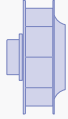
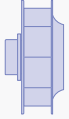


Performance data

| Type | Characteristic curve | Voltage | Operating point | Current | Input power | Speed | Suction side sound power level L_{WAS} dB(A) |
|-----------------|----------------------|---------|-----------------|---------|-------------|------------------------|--|
| | | U V | | I A | P_1 W | n min ⁻¹ | |
| RH45C-4DK.4I.1R | I | 400 | ① | 1.15 | 400 | 1440 | 75 |
| | | 400* | ② | 1.65* | 880* | 1360* | 72 |
| | | 400 | ③ | 1.40 | 640 | 1400 | 85 |
| | II | 230 | ④ | 0.94 | 320 | 1330 | 73 |
| | | 230 | ⑤ | 1.80 | 620 | 1060 | 68 |
| | | 230 | ⑥ | 1.45 | 500 | 1200 | 81 |

*rated data

Fan ordering information

| | | |
|---------------------------|---|---|
| Design | RH* | RH* |
| Installation position | H/Vu | H/Vo |
| |  |  |
| Type | RH45C-4DK.4I.1R | RH45C-4DK.4I.1R |
| Article no. | 172179 | 175265 |
| Weight kg | 12.00 | 12.00 |
| * inlet ring not included | | |

Information

ZArail

Cpro-ECblue

C-ECblue

C series

N series

M series

FE2owlet

C-series

for three phase alternating current, 4 pole

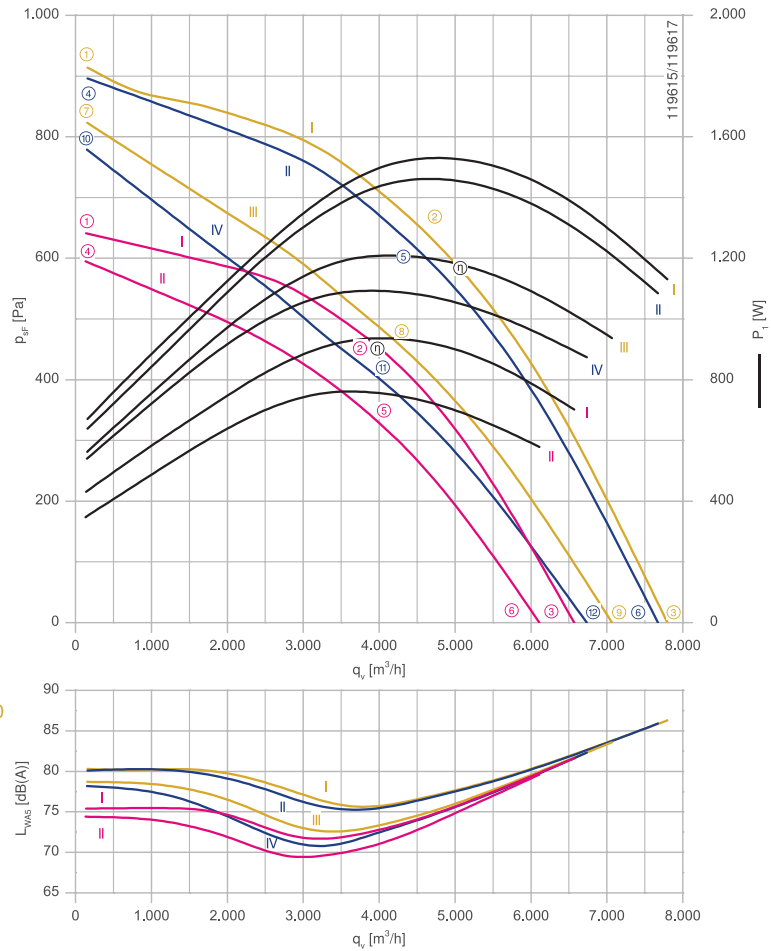
RH45C-4D



Description

Motor technology: AC
 Rated voltage U_N :
 3- 230/400 V (Δ/Y) | 3-230/400 V (Δ/Y) | 3-265/460 V (Δ/Y) *
 Rated frequency f_N : 50 Hz | 60 Hz | 60 Hz*
 Input power P_i :
 940 W | 1.45 kW | 1.55 kW*
 Rated current I_N :
 3.60/2.10 A | 4.30/2.50 A | 4.30/2.50 A*
 Rated speed n_n :
 1430 min⁻¹ | 1650 min⁻¹ | 1680 min⁻¹*
 Starting current I_A : 26,00/15,00 A | 24,00/14,00 A | 28,00/16,00 A
 Current increase ΔI : 15 % | 20 % | 20 %
 Thermal class: THCL155*
 Min. permitted ambient temperature $t_{R(min)}$: -40 °C
 Max. permitted ambient temperature $t_{R(max)}$:
 70 °C | 65 °C | 65 °C
 Electrical connection: Supply cable side, 105cm
 Degree of protection : IP54
 Motor protection: thermal contact
 Impeller : aluminium, unpainted
 Motor: Aluminium, 1 coat paint, pebble grey
 Conformity: CE
 * Rated data

Characteristic curve

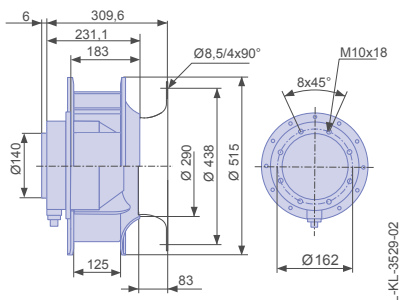


Measured with inlet ring, without guard grille according to ISO 5801

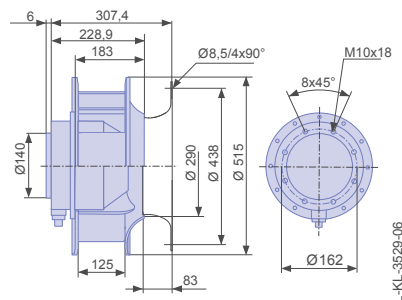
| | | | |
|--------------------|------------|---------------------------|----------|
| Inlet ring | 00411856 | RAL 7032 (pebble grey) | Page 302 |
| Inlet ring | 00411849 | unpainted | |
| Connection diagram | 1360-106XA | | Page 327 |

Dimensions mm

Free-running motorized impeller RH
in installation position H/Vu



Free-running motorized impeller RH
in installation position H/Vo

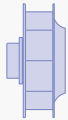



Performance data

| Type | Characteristic curve | Voltage | Frequency | Operating point | Current | Input power | Speed | Suction side sound power level L _{WA5} dB(A) |
|-----------------|----------------------|---------|-----------|-----------------|---------|---------------------|------------------------|---|
| | | U V | f Hz | | I A | P ₁ W | n min ⁻¹ | |
| RH45C-4DK.6K.1R | I | 400 | 50 | ① | 1.70 | 440 | 1470 | 75 |
| | | 400* | | ② | 2.10* | 940* | 1430* | 73 |
| | | 400 | | ③ | 1.90 | 700 | 1450 | 82 |
| | II | 230 | | ④ | 1.20 | 350 | 1420 | 74 |
| | | 230 | | ⑤ | 2.20 | 760 | 1290 | 71 |
| | | 230 | | ⑥ | 1.70 | 580 | 1350 | 80 |
| | I | 460 | 60 | ① | 1.65 | 680 | 1760 | 80 |
| | | 460* | | ② | 2.50* | 1550* | 1680* | 77 |
| | | 460 | | ③ | 2.10 | 1150 | 1720 | 86 |
| | II | 400 | | ④ | 1.50 | 640 | 1740 | 80 |
| | | 400* | | ⑤ | 2.50* | 1450* | 1650* | 77 |
| | | 400 | | ⑥ | 2.00 | 1100 | 1690 | 86 |
| | III | 265 | ⑦ | 1.50 | 560 | 1670 | 79 | |
| | | 265 | ⑧ | 2.90 | 1200 | 1460 | 74 | |
| | | 265 | ⑨ | 2.30 | 940 | 1560 | 84 | |
| | IV | 230 | ⑩ | 1.55 | 540 | 1630 | 78 | |
| | | 230 | ⑪ | 3.00 | 1100 | 1370 | 72 | |
| | | 230 | ⑫ | 2.40 | 880 | 1490 | 82 | |

*rated data

Fan ordering information

| | | |
|---------------------------|--|--|
| Design | RH* | RH* |
| Installation position | H/Vu | H/Vo |
| |  |  |
| Type | RH45C-4DK.6K.1R | RH45C-4DK.6K.1R |
| Article no. | 172180 | 175266 |
| Weight kg | 21.00 | 21.00 |
| * inlet ring not included | | |





N-series

AC technology

Product overview

| | |
|-----------------|----------|
| Quick selection | Page 186 |
| Size 500 | Page 188 |
| Size 560 | Page 190 |
| Size 630 | Page 194 |

Information

ZArail

Cpro-ECblue

C-ECblue

C series

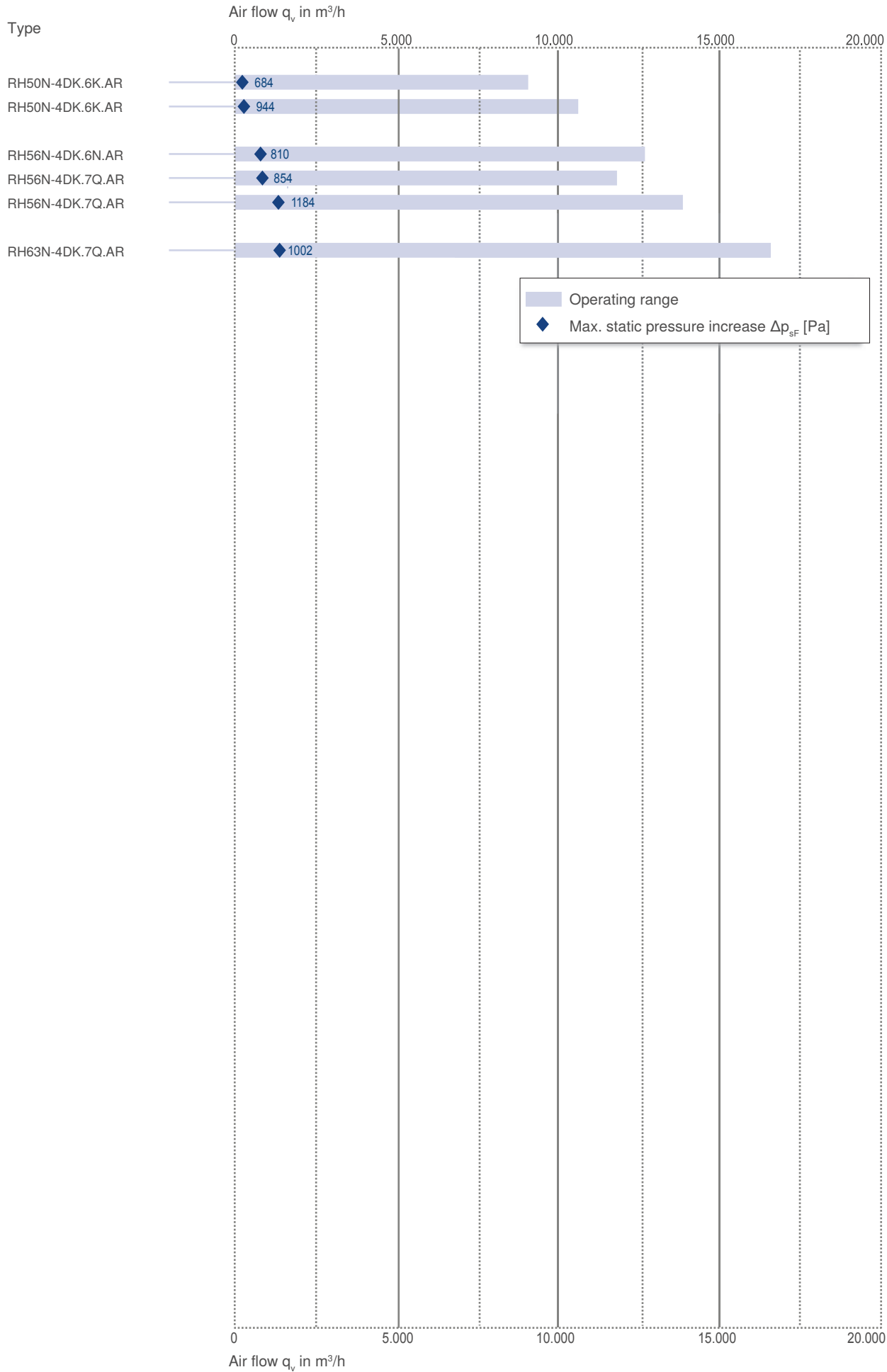
N series

M series

FE2owlet

| Size | Frequency | Voltage | Number of poles | Type | Impeller position | Page |
|------|-----------|-------------|-----------------|-----------------|-------------------|------|
| 500 | 50 Hz | 3~ 400V | 4 | RH50N-4DK.6K.AR | K | 188 |
| | 60 Hz | 3~ 400/460V | 4 | RH50N-4DK.6K.AR | K | 188 |
| 560 | 50 Hz | 3~ 400V | 4 | RH56N-4DK.6N.AR | K | 190 |
| | | | | RH56N-4DK.7Q.AR | K | 192 |
| | 60 Hz | 3~ 400/460V | 4 | RH56N-4DK.7Q.AR | K | 192 |
| 630 | 50 Hz | 3~ 400V | 4 | RH63N-4DK.7Q.AR | K | 194 |





- Information
- ZArail
- Cpro-ECblue
- C-ECblue
- C series
- N series**
- M series
- FE2owlet



N-series

for three phase alternating current, 4 pole

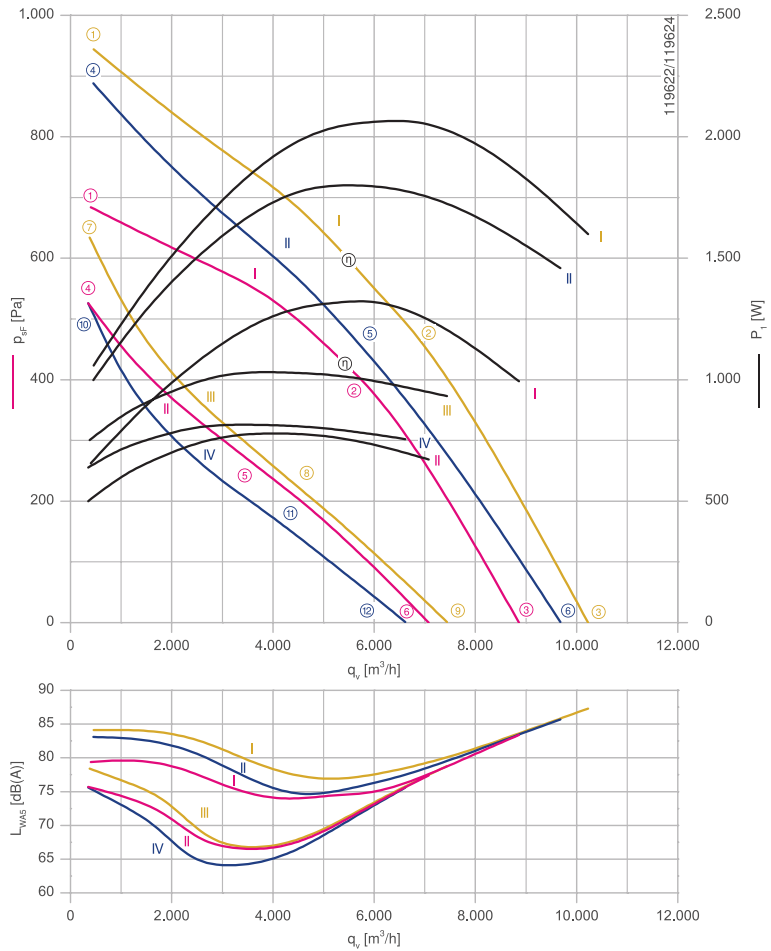
RH50N-4D



Description

Motor technology: AC
 Rated voltage U_N :
 3~ 230/400 V (Δ/Y) | 3-230/400 V (Δ/Y) | 3~265/460 V (Δ/Y) *
 Rated frequency f_N : 50 Hz | 60 Hz | 60 Hz*
 Input power P_i :
 1.30 kW | 1.80 kW | 2.10 kW*
 Rated current I_N :
 4.50/2.60 A | 5.70/3.30 A | 5.90/3.40 A*
 Rated speed n_n :
 1300 min⁻¹ | 1360 min⁻¹ | 1460 min⁻¹*
 Starting current I_A : 16.00/9,50 A | 14,00/8,00 A | 17,00/9,50 A
 Current increase ΔI : 5 % | 0 % | 0 %
 Thermal class: THCL155*
 Min. permitted ambient temperature $t_{R(min)}$: -40 °C
 Max. permitted ambient temperature $t_{R(max)}$:
 70 °C | 55 °C | 55 °C
 Electrical connection: Supply cable side, 105cm
 Degree of protection : IP54
 Motor protection: thermal contact
 Impeller : aluminium, unpainted
 Motor: Aluminium, 1 coat paint, pebble grey
 Conformity: CE
 * Rated data

Characteristic curve

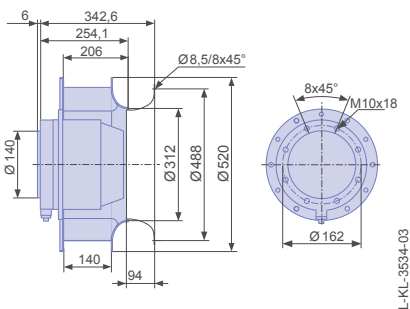


Measured with inlet ring, without guard grille according to ISO 5801

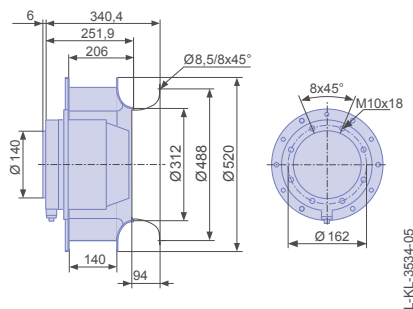
| | | | |
|--------------------|------------|---------------|----------|
| Inlet ring | 00411857 | RAL 7032 | Page 302 |
| | | (pebble grey) | |
| Inlet ring | 00411850 | unpainted | |
| Connection diagram | 1360-106XA | | Page 327 |

Dimensions mm

Free-running motorized impeller RH
in installation position H/Vu



Free-running motorized impeller RH
in installation position H/Vo

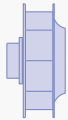



Performance data

| Type | Characteristic curve | Voltage | Frequency | Operating point | Current | Input power | Speed | Suction side sound power level L_{WA5} dB(A) |
|-----------------|----------------------|---------|-----------|-----------------|---------|-------------|------------------------|--|
| | | U V | f Hz | | I A | P_1 W | n min ⁻¹ | |
| RH50N-4DK.6K.AR | I | 400 | 50 | ① | 1.75 | 660 | 1410 | 79 |
| | | 400* | | ② | 2.60* | 1300* | 1300* | 75 |
| | | 400 | | ③ | 2.20 | 1000 | 1360 | 83 |
| | II | 230 | | ④ | 1.60 | 500 | 1240 | 76 |
| | | 230 | | ⑤ | 2.50 | 780 | 970 | 67 |
| | | 230 | | ⑥ | 2.10 | 680 | 1090 | 77 |
| | I | 460 | 60 | ① | 2.00 | 1050 | 1670 | 84 |
| | | 460* | | ② | 3.40* | 2100* | 1460* | 79 |
| | | 460 | | ③ | 2.70 | 1600 | 1570 | 87 |
| | II | 400 | | ④ | 1.95 | 1000 | 1620 | 83 |
| | | 400* | | ⑤ | 3.30* | 1800* | 1360* | 76 |
| | | 400 | | ⑥ | 2.70 | 1450 | 1480 | 86 |
| | III | 265 | ⑦ | 2.10 | 760 | 1360 | 78 | |
| | | 265 | ⑧ | 2.90 | 1050 | 990 | 67 | |
| | | 265 | ⑨ | 2.60 | 940 | 1150 | 79 | |
| | IV | 230 | ⑩ | 2.10 | 640 | 1240 | 76 | |
| | | 230 | ⑪ | 2.70 | 820 | 880 | 65 | |
| | | 230 | ⑫ | 2.50 | 760 | 1020 | 76 | |

*rated data

Fan ordering information

| | | |
|---------------------------|--|--|
| Design | RH* | RH* |
| Installation position | H/Vu | H/Vo |
| |  |  |
| Type | RH50N-4DK.6K.AR | RH50N-4DK.6K.AR |
| Article no. | 172507 | 175800 |
| Weight kg | 20.90 | 20.90 |
| * inlet ring not included | | |

Information

ZArail

Cpro-ECblue

C-ECblue

C series

N series

M series

FE2owlet

N-series

for three phase alternating current, 4 pole

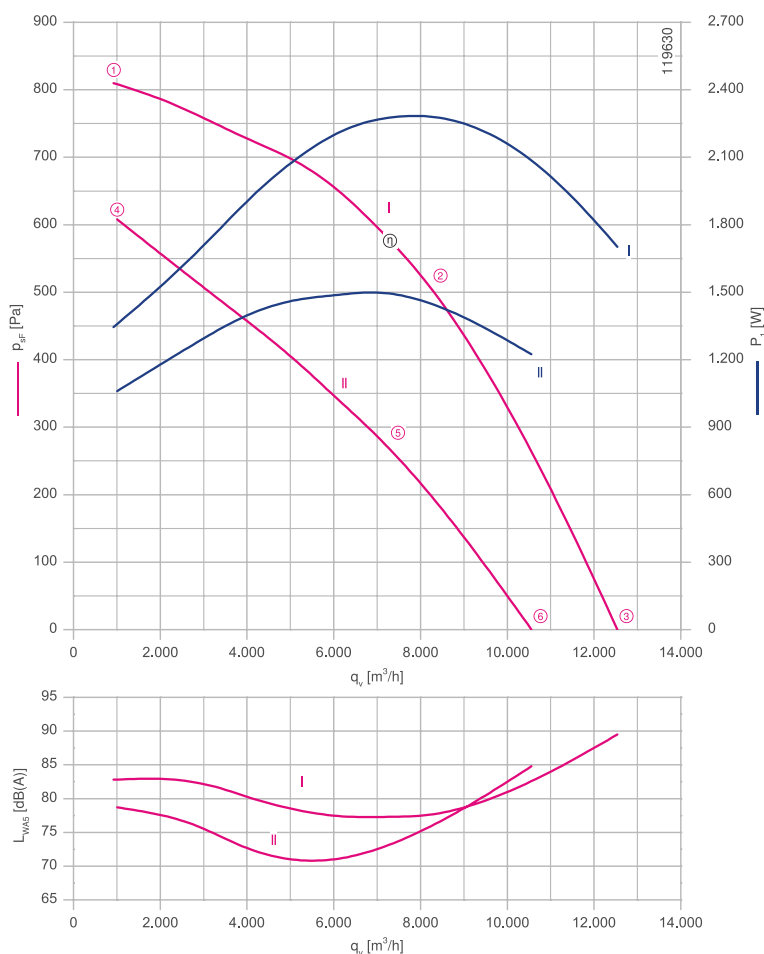
RH56N-4D



Description

Motor technology: AC
 Rated voltage U_N : 3~ 230/400 V (Δ/Y)*
 Rated frequency f_N : 50 Hz*
 Input power P_i : 2.30 kW*
 Rated current I_N : 8.00/4.60 A*
 Rated speed n_N : 1330 min⁻¹*
 Starting current I_s : 30,00/17,00 A
 Current increase ΔI : 0 %
 Thermal class: THCL155*
 Min. permitted ambient temperature $t_{R(\min)}$: -40 °C
 Max. permitted ambient temperature $t_{R(\max)}$: 60 °C
 Electrical connection: Supply cable side, 105cm
 Degree of protection : IP54
 Motor protection: thermal contact
 Impeller : aluminium, unpainted
 Motor: Aluminium, 1 coat paint, pebble grey
 Conformity: CE
 * Rated data

Characteristic curve

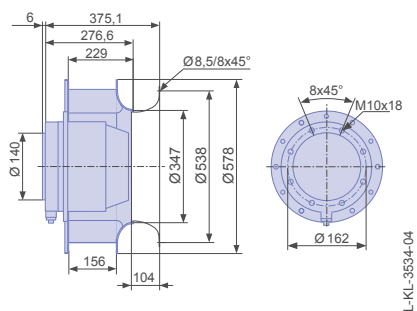


Measured with inlet ring, without guard grille according to ISO 5801

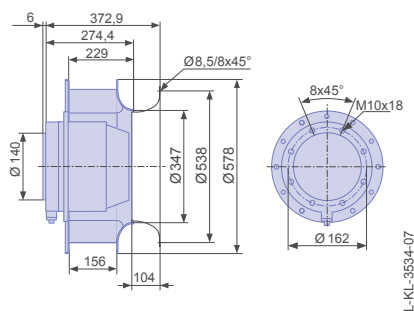
| | | | |
|--------------------|------------|---------------|----------|
| Inlet ring | 00411858 | RAL 7032 | Page 302 |
| | | (pebble grey) | |
| | | unpainted | |
| Inlet ring | 00411851 | | |
| Connection diagram | 1360-106XA | | Page 327 |

Dimensions mm

Free-running motorized impeller RH
in installation position H/Vu



Free-running motorized impeller RH
in installation position H/Vo

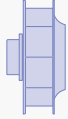
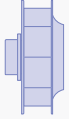


Performance data

| Type | Characteristic curve | Voltage | Operating point | Current | Input power | Speed | Suction side sound power level L_{WAS} dB(A) |
|-----------------|----------------------|---------|-----------------|---------|-------------|------------------------|--|
| | | U V | | I A | P_1 W | n min ⁻¹ | |
| RH56N-4DK.6N.AR | I | 400 | ① | 3.40 | 1350 | 1410 | 83 |
| | | 400* | ② | 4.60* | 2300* | 1330* | 78 |
| | | 400 | ③ | 3.80 | 1700 | 1380 | 90 |
| | II | 230 | ④ | 3.20 | 1050 | 1220 | 79 |
| | | 230 | ⑤ | 4.40 | 1500 | 1060 | 73 |
| | | 230 | ⑥ | 3.60 | 1200 | 1170 | 85 |

*rated data

Fan ordering information

| | | |
|---------------------------|---|---|
| Design | RH* | RH* |
| Installation position | H/Vu | H/Vo |
| |  |  |
| Type | RH56N-4DK.6N.AR | RH56N-4DK.6N.AR |
| Article no. | 172509 | 175801 |
| Weight kg | 26.20 | 26.20 |
| * inlet ring not included | | |

Information

ZArail

Cpro-ECblue

C-ECblue

C series

N series

M series

FE2owlet

N-series

for three phase alternating current, 4 pole

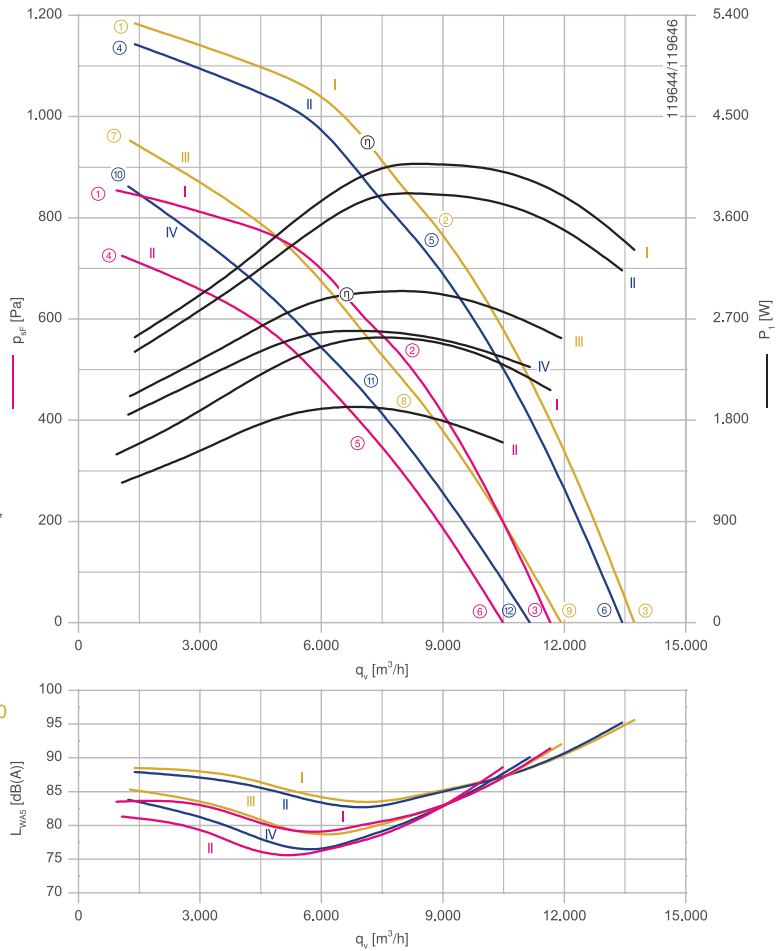
RH56N-4D



Description

Motor technology: AC
 Rated voltage U_N :
 3- 230/400 V (Δ/Y) | 3-230/400 V (Δ/Y) | 3-265/460 V (Δ/Y) *
 Rated frequency f_N : 50 Hz | 60 Hz | 60 Hz*
 Input power P_i :
 2.50 kW | 3.80 kW | 4.00 kW*
 Rated current I_N :
 9.00/5.20 A | 11.00/6.40 A | 10.50/6.20 A*
 Rated speed n_n :
 1400 min⁻¹ | 1590 min⁻¹ | 1640 min⁻¹*
 Starting current I_A : 55,00/32,00 A | 50,00/28,00 A | 60,00/34,00 A
 Current increase ΔI : 10 % | 15 % | 15 %
 Thermal class: THCL155*
 Min. permitted ambient temperature $t_{R(min)}$: -40 °C
 Max. permitted ambient temperature $t_{R(max)}$:
 70 °C | 70 °C | 70 °C
 Electrical connection: Supply cable side, 105cm
 Degree of protection : IP54
 Motor protection: thermal contact
 Impeller : aluminium, unpainted
 Motor: Aluminium, 1 coat paint, pebble grey
 Conformity: CE
 * Rated data

Characteristic curve

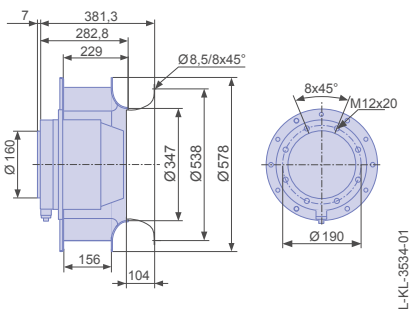


Measured with inlet ring, without guard grille according to ISO 5801

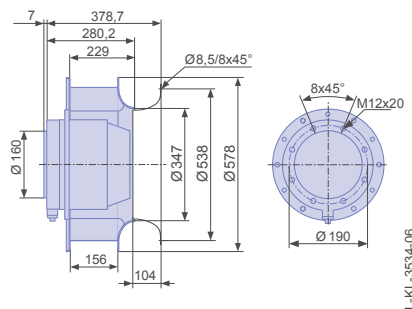
| | | | |
|--------------------|------------|---------------------------|----------|
| Inlet ring | 00411858 | RAL 7032 (pebble grey) | Page 302 |
| Inlet ring | 00411851 | unpainted | |
| Connection diagram | 1360-106XA | | Page 327 |

Dimensions mm

Free-running motorized impeller RH
in installation position H/W/U



Free-running motorized impeller RH
in installation position H/Vo

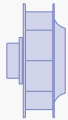



Performance data

| Type | Characteristic curve | Voltage | Frequency | Operating point | Current | Input power | Speed | Suction side sound power level L_{WA5} dB(A) |
|-----------------|----------------------|---------|-----------|-----------------|---------|-------------|------------------------|--|
| | | U V | f Hz | | I A | P_1 W | n min ⁻¹ | |
| RH56N-4DK.7Q.AR | I | 400 | 50 | ① | 4.00 | 1500 | 1450 | 84 |
| | | 400* | | ② | 5.20* | 2500* | 1400* | 81 |
| | | 400 | | ③ | 4.60 | 2100 | 1420 | 91 |
| | II | 230 | | ④ | 3.60 | 1250 | 1340 | 81 |
| | | 230 | | ⑤ | 5.40 | 1900 | 1230 | 78 |
| | | 230 | | ⑥ | 4.60 | 1600 | 1280 | 89 |
| | I | 460 | 60 | ① | 4.60 | 2500 | 1710 | 89 |
| | | 460* | | ② | 6.20* | 4000* | 1640* | 85 |
| | | 460 | | ③ | 5.40 | 3300 | 1670 | 96 |
| | II | 400 | | ④ | 4.40 | 2400 | 1680 | 88 |
| | | 400* | | ⑤ | 6.40* | 3800* | 1590* | 84 |
| | | 400 | | ⑥ | 5.40 | 3100 | 1630 | 95 |
| III | 265 | ⑦ | 4.80 | 2000 | 1540 | 85 | | |
| | 265 | ⑧ | 7.00 | 2900 | 1380 | 82 | | |
| | 265 | ⑨ | 6.00 | 2500 | 1450 | 92 | | |
| IV | 230 | ⑩ | 5.20 | 1850 | 1460 | 84 | | |
| | 230 | ⑪ | 7.20 | 2600 | 1270 | 78 | | |
| | 230 | ⑫ | 6.20 | 2300 | 1370 | 90 | | |

*rated data

Fan ordering information

| | | |
|---------------------------|--|--|
| Design | RH* | RH* |
| Installation position | H/Vu | H/Vo |
| |  |  |
| Type | RH56N-4DK.7Q.AR | RH56N-4DK.7Q.AR |
| Article no. | 172510 | 175802 |
| Weight kg | 43.10 | 43.10 |
| * inlet ring not included | | |

Information

ZArail

Cpro-ECblue

C-ECblue

C series

N series

M series

FE2owllet

N-series

for three phase alternating current, 4 pole

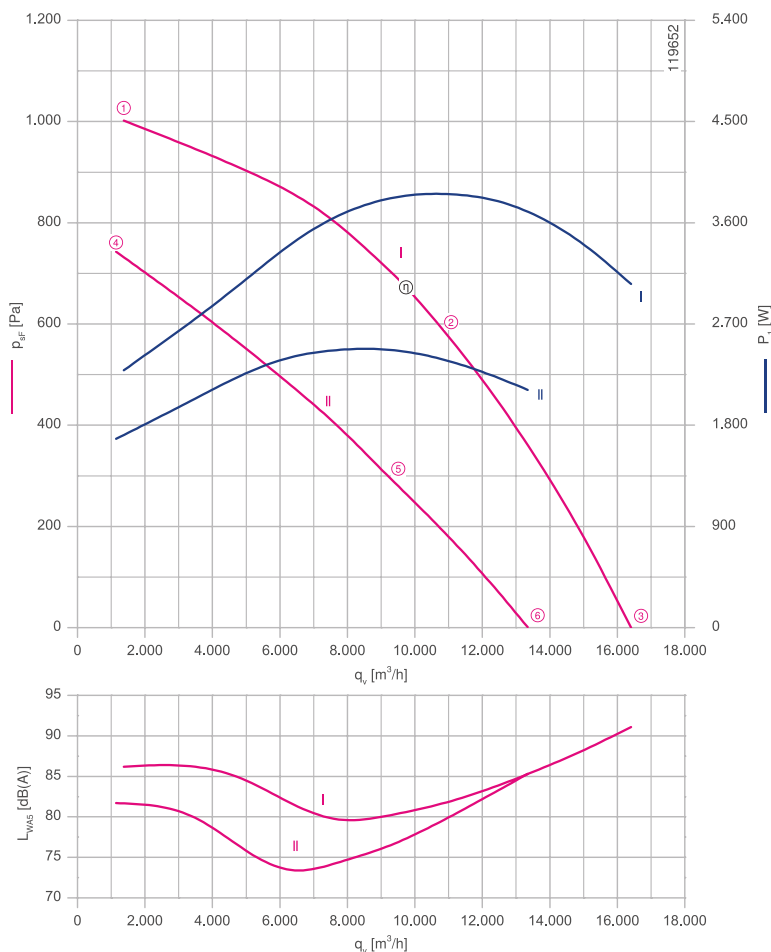
RH63N-4D



Description

Motor technology: AC
 Rated voltage U_N : 3~ 230/400 V (Δ/Y)*
 Rated frequency f_N : 50 Hz*
 Input power P_i : 3.90 kW*
 Rated current I_N : 11.00/6.40 A*
 Rated speed n_N : 1290 min⁻¹*
 Starting current I_s : 46,00/26,00 A
 Current increase ΔI : 10 %
 Thermal class: THCL155*
 Min. permitted ambient temperature $t_{R(min)}$: -40 °C
 Max. permitted ambient temperature $t_{R(max)}$: 65 °C
 Electrical connection: Supply cable side, 105cm
 Degree of protection : IP54
 Motor protection: thermal contact
 Impeller : aluminium, unpainted
 Motor: Aluminium, 1 coat paint, pebble grey
 Conformity: CE
 * Rated data

Characteristic curve

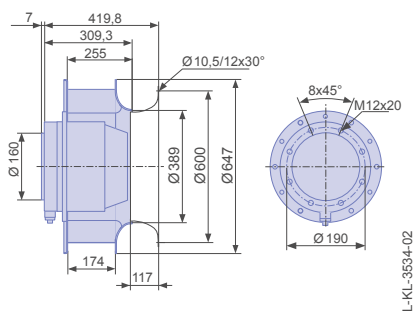


Measured with inlet ring, without guard grille according to ISO 5801

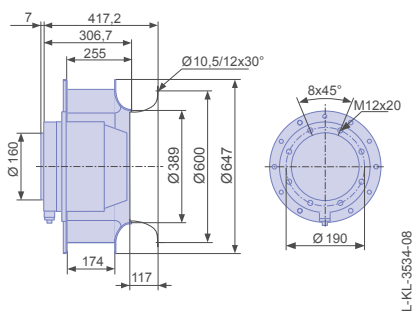
| | | | |
|--------------------|------------|---------------|----------|
| Inlet ring | 00411859 | RAL 7032 | Page 302 |
| | | (pebble grey) | |
| Inlet ring | 00411852 | unpainted | |
| Connection diagram | 1360-106XA | | Page 327 |

Dimensions mm

Free-running motorized impeller RH
in installation position H/Vu



Free-running motorized impeller RH
in installation position H/Vo





Performance data

| Type | Characteristic curve | Voltage | Operating point | Current | Input power | Speed | Suction side sound power level L_{WAS} dB(A) |
|-----------------|----------------------|---------|-----------------|---------|-------------|------------------------|--|
| | | U V | | I A | P_1 W | n min ⁻¹ | |
| RH63N-4DK.7Q.AR | I | 400 | ① | 4.40 | 2300 | 1390 | 86 |
| | | 400* | ② | 6.40* | 3900* | 1290* | 82 |
| | | 400 | ③ | 5.40 | 3100 | 1350 | 91 |
| | II | 230 | ④ | 4.60 | 1700 | 1200 | 82 |
| | | 230 | ⑤ | 6.80 | 2500 | 1010 | 76 |
| | | 230 | ⑥ | 5.80 | 2100 | 1100 | 85 |

*rated data

Fan ordering information

| | | |
|---------------------------|---|---|
| Design | RH* | RH* |
| Installation position | H/Vu | H/Vo |
| |  |  |
| Type | RH63N-4DK.7Q.AR | RH63N-4DK.7Q.AR |
| Article no. | 172511 | 175803 |
| Weight kg | 41.00 | 41.00 |
| * inlet ring not included | | |

Information

ZArail

Cpro-ECblue

C-ECblue

C series

N series

M series

FE2owlet





M-series

AC technology

Product overview

| | |
|-----------------|----------|
| Quick selection | Page 198 |
| Size 225 | Page 200 |
| Size 250 | Page 208 |
| Size 280 | Page 212 |
| Size 315 | Page 222 |
| Size 355 | Page 228 |
| Size 400 | Page 234 |
| Size 450 | Page 236 |
| Size 500 | Page 238 |
| Size 560 | Page 240 |
| Size 630 | Page 242 |

Information

ZArail

Cpro-ECblue

C-ECblue

C series

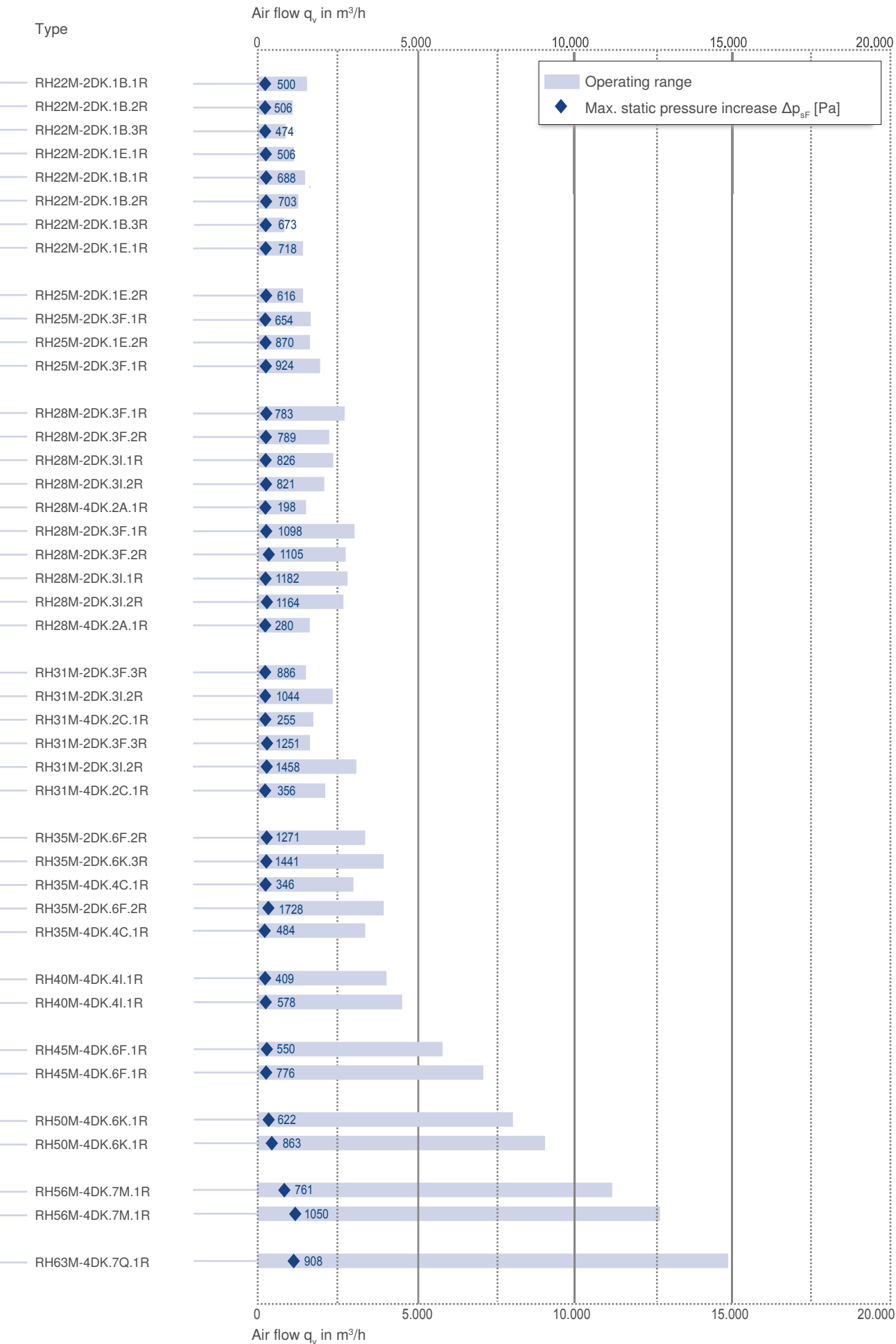
N series

M series

FE2owlet

| Size | Frequency | Voltage | Number of poles | Type | Page | |
|------|-----------|-------------|-----------------|-----------------|-----------------|-----|
| 225 | 50 Hz | 3~ 400V | 2 | RH22M-2DK.1B.1R | 200 | |
| | | | | RH22M-2DK.1B.2R | 202 | |
| | | | | RH22M-2DK.1B.3R | 204 | |
| | 60 Hz | 3~ 400/460V | 2 | RH22M-2DK.1E.1R | 206 | |
| | | | | RH22M-2DK.1B.1R | 200 | |
| | | | | RH22M-2DK.1B.2R | 202 | |
| 250 | 50 Hz | 3~ 400V | 2 | RH25M-2DK.1E.2R | 208 | |
| | | | | RH25M-2DK.3F.1R | 210 | |
| | | | | RH25M-2DK.1E.2R | 208 | |
| | 60 Hz | 3~ 400/460V | 2 | RH25M-2DK.3F.1R | 210 | |
| | | | | RH28M-2DK.3F.1R | 212 | |
| | | | | RH28M-2DK.3F.2R | 214 | |
| 280 | 50 Hz | 3~ 400V | 2 | RH28M-2DK.3I.1R | 216 | |
| | | | | RH28M-2DK.3I.2R | 218 | |
| | | | 4 | RH28M-4DK.2A.1R | 220 | |
| | | | | RH28M-2DK.3F.1R | 212 | |
| | | | | RH28M-2DK.3F.2R | 214 | |
| | | | | RH28M-2DK.3I.1R | 216 | |
| | 60 Hz | 3~ 400/460V | 2 | RH28M-2DK.3I.1R | 216 | |
| | | | | RH28M-2DK.3I.2R | 218 | |
| | | | 4 | RH28M-4DK.2A.1R | 220 | |
| | | | | RH31M-2DK.3F.3R | 222 | |
| | | | | RH31M-2DK.3I.2R | 224 | |
| | | | | RH31M-4DK.2C.1R | 226 | |
| 315 | 50 Hz | 3~ 400V | 2 | RH31M-2DK.3F.3R | 222 | |
| | | | | RH31M-2DK.3I.2R | 224 | |
| | | | 4 | RH31M-4DK.2C.1R | 226 | |
| | 60 Hz | 3~ 400/460V | | 2 | RH31M-2DK.3F.3R | 222 |
| | | | | | RH31M-2DK.3I.2R | 224 |
| | | | | 4 | RH31M-4DK.2C.1R | 226 |
| 355 | 50 Hz | 3~ 400V | 2 | | RH35M-2DK.6F.2R | 228 |
| | | | | RH35M-2DK.6K.3R | 230 | |
| | | | 4 | RH35M-4DK.4C.1R | 232 | |
| | 60 Hz | 3~ 400/460V | | 2 | RH35M-2DK.6F.2R | 228 |
| | | | | | RH35M-4DK.4C.1R | 232 |
| | | | | 4 | RH40M-4DK.4I.1R | 234 |
| 400 | 50 Hz | 3~ 400V | 4 | | RH40M-4DK.4I.1R | 234 |
| | | | | 60 Hz | 3~ 400/460V | 4 |
| 450 | 50 Hz | 3~ 400V | 4 | | | |
| | | | | 60 Hz | 3~ 400/460V | 4 |
| 500 | 50 Hz | 3~ 400V | 4 | | | |
| | | | | 60 Hz | 3~ 400/460V | 4 |
| 560 | 50 Hz | 3~ 400V | 4 | | | |
| | | | | 60 Hz | 3~ 400/460V | 4 |
| 630 | 50 Hz | 3~ 400V | 4 | | | |





- Information
- ZArail
- Cpro-ECblue
- C-ECblue
- C series
- N series
- M series**
- FE2owllet



M-series

for three phase alternating current, 2 pole

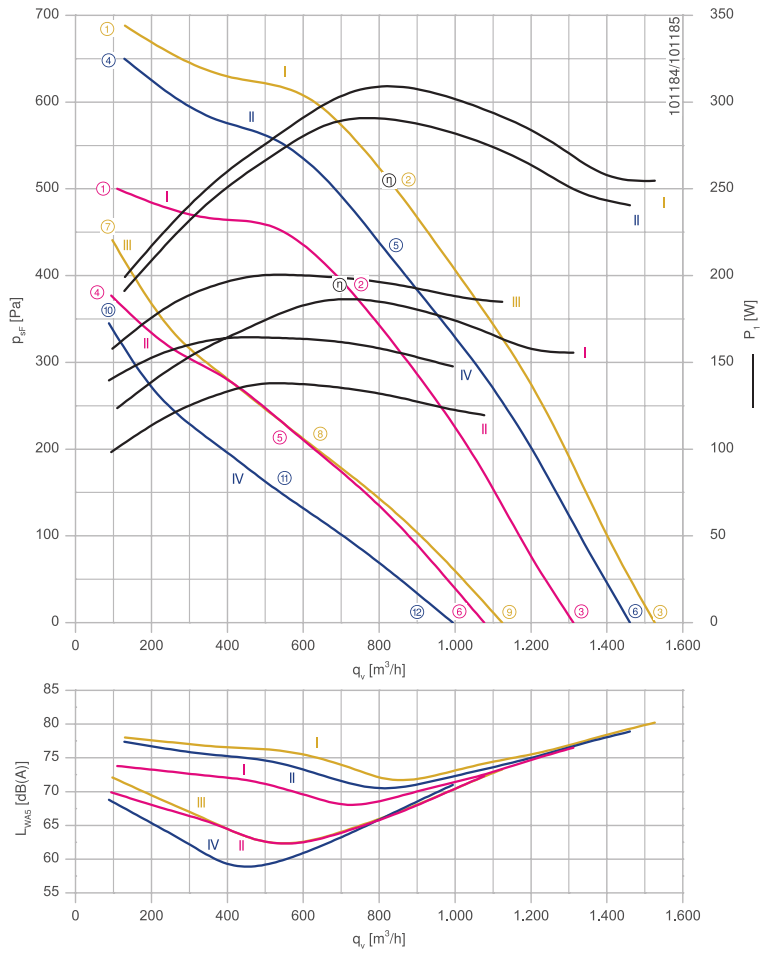
RH22M-2D



Description

Motor technology: AC
 Rated voltage U_N :
 3~ 230/400 V (Δ/Y) | 3~230/400 V (Δ/Y) | 3~265/460 V (Δ/Y) *
 Rated frequency f_N : 50 Hz | 60 Hz | 60 Hz*
 Input power P_i :
 190 W | 290 W | 310 W*
 Rated current I_N :
 0.54/0.31 A | 0.76/0.44 A | 0.72/0.42 A*
 Rated speed n_n :
 2710 min⁻¹ | 2940 min⁻¹ | 3120 min⁻¹*
 Starting current I_A : 2,00/1,10 A | 1,90/1,10 A | 2,20/1,30 A
 Current increase ΔI : 15 % | 5 % | 10 %
 Thermal class: THCL155*
 Min. permitted ambient temperature $t_{R(min)}$: -40 °C
 Max. permitted ambient temperature $t_{R(max)}$:
 80 °C | 60 °C | 60 °C
 Electrical connection: Supply cable side, 105cm
 Degree of protection : IP54Z
 Motor protection: thermal contact
 Impeller : aluminium, unpainted
 Motor: Aluminium, 1 coat paint, pebble grey
 Conformity: CE
 * Rated data

Characteristic curve

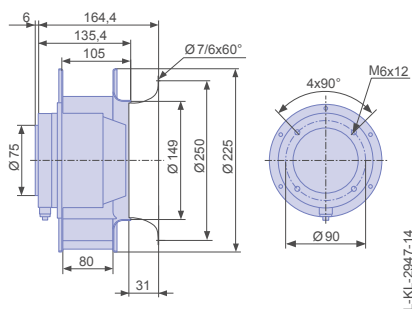


Measured with inlet ring, without guard grille according to ISO 5801

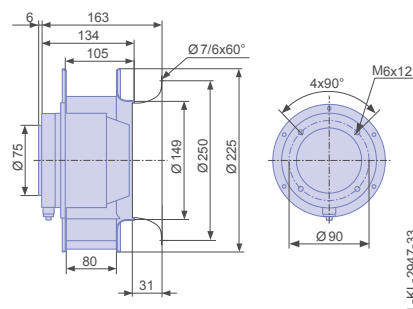
| | | | |
|--------------------|------------|---------------|----------|
| Inlet ring | 00352266 | RAL 7032 | Page 303 |
| | | (pebble grey) | |
| Inlet ring | 00278352 | unpainted | |
| Connection diagram | 1360-106XA | | Page 327 |

Dimensions mm

Free-running motorized impeller RH in installation position H/Vu



Free-running motorized impeller RH in installation position H/Vo

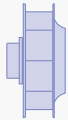



Performance data

| Type | Characteristic curve | Voltage | Frequency | Operating point | Current | Input power | Speed | Suction side sound power level L_{WA5} dB(A) |
|-----------------|----------------------|---------|-----------|-----------------|---------|-------------|------------------------|--|
| | | U V | f Hz | | I A | P_1 W | n min ⁻¹ | |
| RH22M-2DK.1B.1R | I | 400 | 50 | ① | 0.25 | 120 | 2830 | 74 |
| | | 400* | | ② | 0.31* | 190* | 2710* | 68 |
| | | 400 | | ③ | 0.28 | 160 | 2770 | 77 |
| | II | 230 | | ④ | 0.26 | 100 | 2460 | 70 |
| | | 230 | | ⑤ | 0.36 | 140 | 2100 | 62 |
| | | 230 | | ⑥ | 0.31 | 120 | 2290 | 72 |
| | I | 460 | 60 | ① | 0.29 | 200 | 3320 | 78 |
| | | 460* | | ② | 0.42* | 310* | 3120* | 72 |
| | | 460 | | ③ | 0.35 | 250 | 3230 | 80 |
| | II | 400 | | ④ | 0.30 | 190 | 3230 | 77 |
| | | 400* | | ⑤ | 0.44* | 290* | 2940* | 71 |
| | | 400 | | ⑥ | 0.37 | 240 | 3100 | 79 |
| III | 265 | ⑦ | 0.36 | 160 | 2670 | 72 | | |
| | 265 | ⑧ | 0.46 | 200 | 2110 | 63 | | |
| | 265 | ⑨ | 0.42 | 180 | 2380 | 73 | | |
| IV | 230 | ⑩ | 0.37 | 140 | 2360 | 69 | | |
| | 230 | ⑪ | 0.44 | 160 | 1830 | 59 | | |
| | 230 | ⑫ | 0.40 | 150 | 2220 | 71 | | |

*rated data

Fan ordering information

| | | |
|---------------------------|--|--|
| Design | RH* | RH* |
| Installation position | H/Vu | H/Vo |
| |  |  |
| Type | RH22M-2DK.1B.1R | RH22M-2DK.1B.1R |
| Article no. | 172131 | 175218 |
| Weight kg | 3.20 | 3.20 |
| * inlet ring not included | | |

M-series

for three phase alternating current, 2 pole

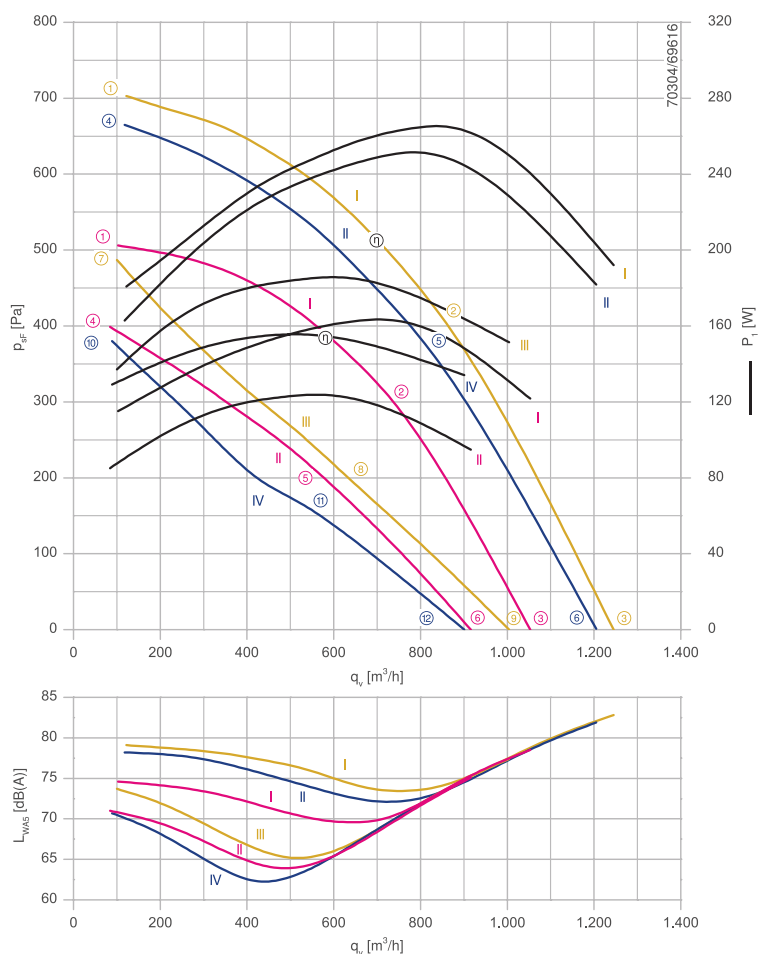
RH22M-2D



Description

Motor technology: AC
 Rated voltage U_N :
 3~ 230/400 V (Δ/Y) | 3~230/400 V (Δ/Y) | 3~265/460 V (Δ/Y) *
 Rated frequency f_N : 50 Hz | 60 Hz | 60 Hz*
 Input power P_i :
 160 W | 250 W | 270 W*
 Rated current I_N :
 0.48/0.28 A | 0.66/0.38 A | 0.62/0.36 A*
 Rated speed n_n :
 2740 min⁻¹ | 3040 min⁻¹ | 3190 min⁻¹*
 Starting current I_A : 2,00/1,10 A | 1,90/1,10 A | 2,20/1,30 A
 Current increase ΔI : 20 % | 15 % | 20 %
 Thermal class: THCL155*
 Min. permitted ambient temperature $t_{R(min)}$: -40 °C
 Max. permitted ambient temperature $t_{R(max)}$:
 80 °C | 70 °C | 70 °C
 Electrical connection: Supply cable side, 105cm
 Degree of protection : IP54Z
 Motor protection: thermal contact
 Impeller : aluminium, unpainted
 Motor: Aluminium, 1 coat paint, pebble grey
 Conformity: CE
 * Rated data

Characteristic curve

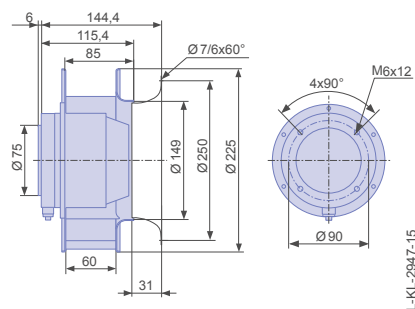


Measured with inlet ring, without guard grille according to ISO 5801

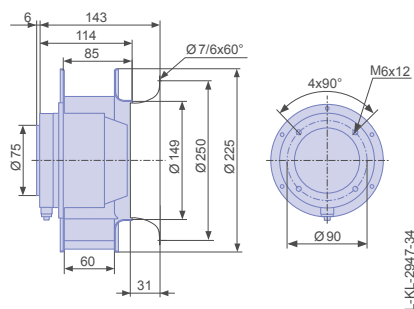
| | | | |
|--------------------|------------|---------------|----------|
| Inlet ring | 00352266 | RAL 7032 | Page 303 |
| | | (pebble grey) | |
| Inlet ring | 00278352 | unpainted | |
| Connection diagram | 1360-106XA | | Page 327 |

Dimensions mm

Free-running motorized impeller RH
in installation position H/Vu



Free-running motorized impeller RH
in installation position H/Vo

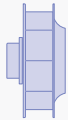



Performance data

| Type | Characteristic curve | Voltage | Frequency | Operating point | Current | Input power | Speed | Suction side sound power level | |
|-----------------|----------------------|---------|-----------|-----------------|---------|---------------------|------------------------|--------------------------------|----|
| | | U V | f Hz | | I A | P ₁ W | n min ⁻¹ | L _{WA5} dB(A) | |
| RH22M-2DK.1B.2R | I | 400 | 50 | ① | 0.24 | 120 | 2840 | 75 | |
| | | 400* | | ② | 0.28* | 160* | 2740* | 70 | |
| | | 400 | | ③ | 0.24 | 120 | 2830 | 79 | |
| | II | 230 | | ④ | 0.22 | 85 | 2550 | 71 | |
| | | 230 | | ⑤ | 0.33 | 120 | 2200 | 65 | |
| | | 230 | | ⑥ | 0.25 | 95 | 2460 | 75 | |
| | I | 460 | | 60 | ① | 0.27 | 180 | 3340 | 79 |
| | | 460* | | | ② | 0.36* | 270* | 3190* | 74 |
| | | 460 | | | ③ | 0.29 | 190 | 3330 | 83 |
| | II | 400 | | | ④ | 0.26 | 160 | 3280 | 78 |
| | | 400* | | | ⑤ | 0.38* | 250* | 3040* | 73 |
| | | 400 | | | ⑥ | 0.29 | 180 | 3240 | 82 |
| | III | 265 | ⑦ | | 0.31 | 140 | 2820 | 74 | |
| | | 265 | ⑧ | | 0.44 | 190 | 2300 | 67 | |
| | | 265 | ⑨ | | 0.35 | 150 | 2700 | 77 | |
| | IV | 230 | ⑩ | | 0.34 | 130 | 2510 | 71 | |
| | | 230 | ⑪ | | 0.42 | 160 | 2000 | 63 | |
| | | 230 | ⑫ | | 0.35 | 130 | 2420 | 75 | |

*rated data

Fan ordering information

| | | |
|---------------------------|--|--|
| Design | RH* | RH* |
| Installation position | H/Vu | H/Vo |
| |  |  |
| Type | RH22M-2DK.1B.2R | RH22M-2DK.1B.2R |
| Article no. | 172132 | 175219 |
| Weight kg | 3.00 | 3.00 |
| * inlet ring not included | | |

M-series

for three phase alternating current, 2 pole

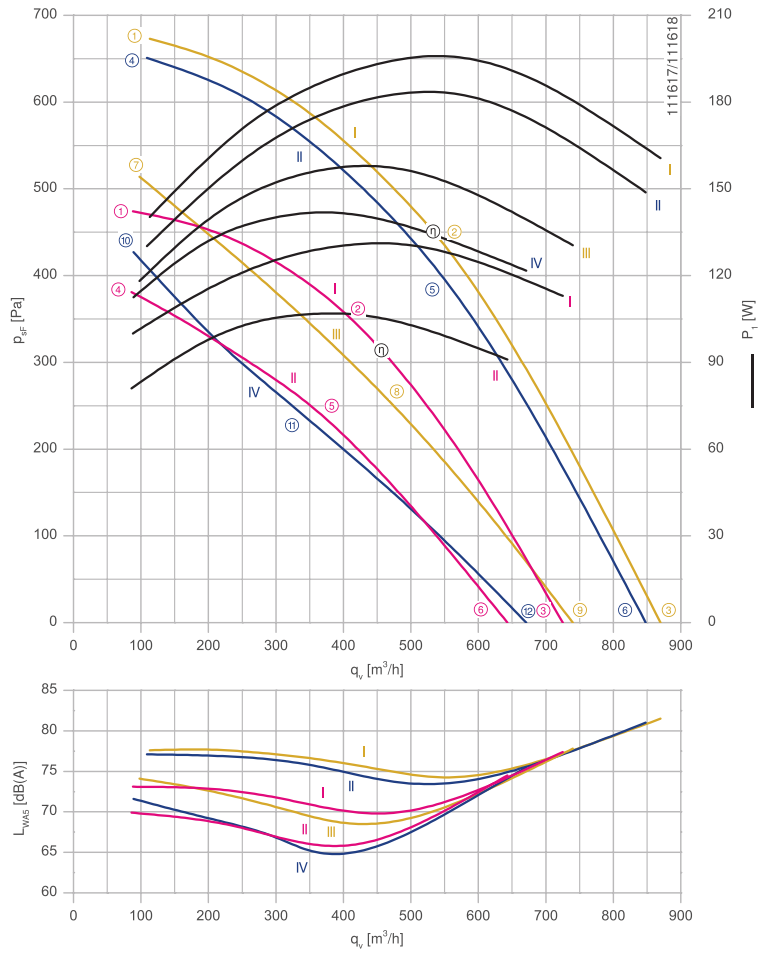
RH22M-2D



Description

Motor technology: AC
 Rated voltage U_N :
 3~ 230/400 V (Δ/Y) | 3~230/400 V (Δ/Y) | 3~265/460 V (Δ/Y) *
 Rated frequency f_N : 50 Hz | 60 Hz | 60 Hz*
 Input power P_i :
 130 W | 180 W | 200 W*
 Rated current I_N :
 0.45/0.26 A | 0.50/0.29 A | 0.50/0.29 A*
 Rated speed n_n :
 2810 min⁻¹ | 3240 min⁻¹ | 3320 min⁻¹*
 Starting current I_A : 2,00/1,10 A | 1,90/1,10 A | 2,20/1,30 A
 Current increase ΔI : 10 % | 30 % | 30 %
 Thermal class: THCL155*
 Min. permitted ambient temperature $t_{R(min)}$: -40 °C
 Max. permitted ambient temperature $t_{R(max)}$:
 70 °C | 70 °C | 70 °C
 Electrical connection: Supply cable side, 105cm
 Degree of protection : IP54Z
 Motor protection: thermal contact
 Impeller : aluminium, unpainted
 Motor: Aluminium, 1 coat paint, pebble grey
 Conformity: CE
 * Rated data

Characteristic curve

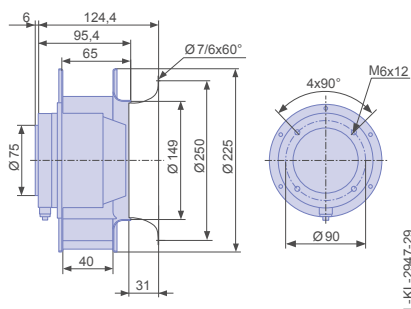


Measured with inlet ring, without guard grille according to ISO 5801

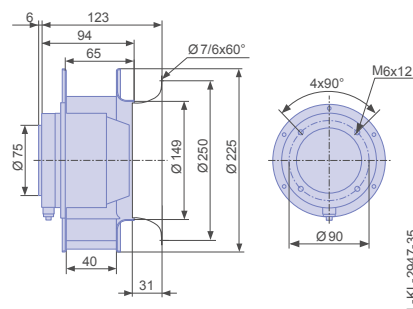
| | | | |
|--------------------|------------|---------------|----------|
| Inlet ring | 00352266 | RAL 7032 | Page 303 |
| | | (pebble grey) | |
| Inlet ring | 00278352 | unpainted | |
| Connection diagram | 1360-106XA | | Page 327 |

Dimensions mm

Free-running motorized impeller RH in installation position H/Vu



Free-running motorized impeller RH in installation position H/Vo

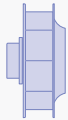



Performance data

| Type | Characteristic curve | Voltage | Frequency | Operating point | Current | Input power | Speed | Suction side sound power level | |
|-----------------|----------------------|---------|-----------|-----------------|---------|---------------------|------------------------|--------------------------------|----|
| | | U V | f Hz | | I A | P ₁ W | n min ⁻¹ | L _{WA5} dB(A) | |
| RH22M-2DK.1B.3R | I | 400 | 50 | ① | 0.23 | 100 | 2880 | 73 | |
| | | 400* | | ② | 0.26* | 130* | 2810* | 70 | |
| | | 400 | | ③ | 0.24 | 110 | 2850 | 77 | |
| | II | 230 | | ④ | 0.22 | 80 | 2580 | 70 | |
| | | 230 | | ⑤ | 0.28 | 110 | 2390 | 66 | |
| | | 230 | | ⑥ | 0.24 | 90 | 2520 | 75 | |
| | I | 460 | | 60 | ① | 0.24 | 140 | 3430 | 78 |
| | | 460* | | | ② | 0.29* | 200* | 3320* | 74 |
| | | 460 | | | ③ | 0.26 | 160 | 3390 | 82 |
| | II | 400 | | | ④ | 0.22 | 130 | 3370 | 77 |
| | | 400* | | | ⑤ | 0.29* | 180* | 3240* | 74 |
| | | 400 | | | ⑥ | 0.25 | 150 | 3320 | 81 |
| | III | 265 | ⑦ | | 0.27 | 120 | 3000 | 74 | |
| | | 265 | ⑧ | | 0.36 | 160 | 2670 | 69 | |
| | | 265 | ⑨ | | 0.30 | 130 | 2910 | 78 | |
| | IV | 230 | ⑩ | | 0.30 | 110 | 2730 | 72 | |
| | | 230 | ⑪ | | 0.38 | 140 | 2330 | 65 | |
| | | 230 | ⑫ | | 0.32 | 120 | 2630 | 76 | |

*rated data

Fan ordering information

| | | |
|---------------------------|--|--|
| Design | RH* | RH* |
| Installation position | H/Vu | H/Vo |
| |  |  |
| Type | RH22M-2DK.1B.3R | RH22M-2DK.1B.3R |
| Article no. | 172133 | 175220 |
| Weight kg | 3.10 | 3.10 |
| * inlet ring not included | | |

M-series

for three phase alternating current, 2 pole

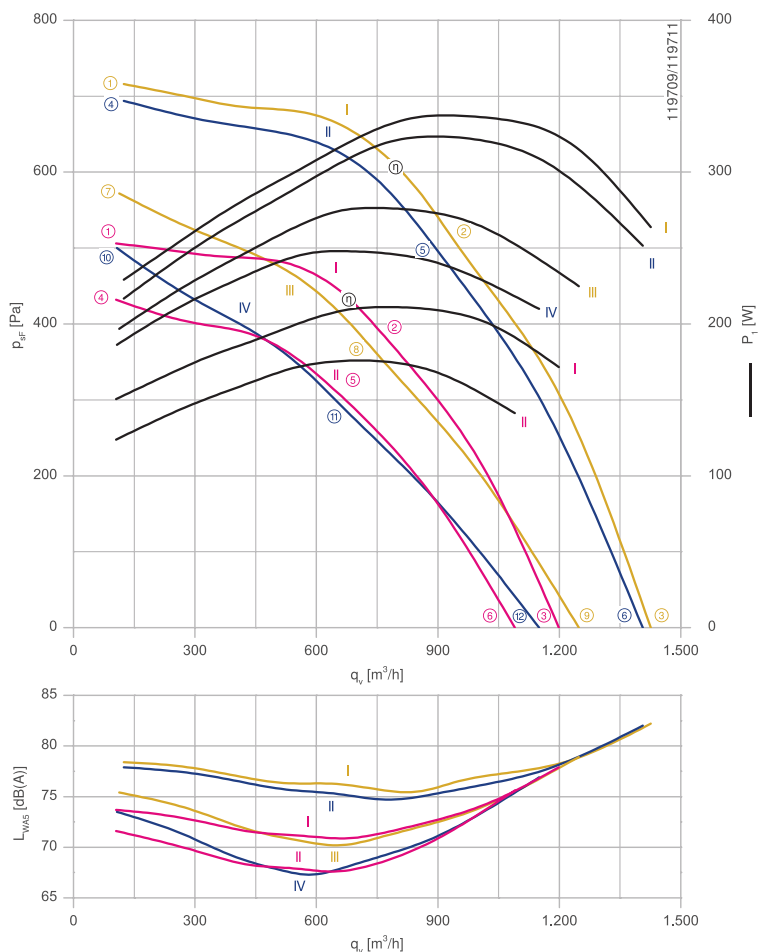
RH22M-2D



Description

Motor technology: AC
 Rated voltage U_N :
 3~ 230/400 V (Δ/Y) | 3~230/400 V (Δ/Y) | 3~265/460 V (Δ/Y) *
 Rated frequency f_N : 50 Hz | 60 Hz | 60 Hz*
 Input power P_i :
 210 W | 320 W | 340 W*
 Rated current I_N :
 0.76/0.44 A | 0.90/0.52 A | 0.86/0.50 A*
 Rated speed n_n :
 2840 min⁻¹ | 3260 min⁻¹ | 3350 min⁻¹*
 Starting current I_A : 4.00/2.20 A | 3.80/2.20 A | 4.40/2.60 A
 Current increase ΔI : 20 % | 30 % | 35 %
 Thermal class: THCL155*
 Min. permitted ambient temperature $t_{R(min)}$: -40 °C
 Max. permitted ambient temperature $t_{R(max)}$:
 70 °C | 70 °C | 70 °C
 Electrical connection: Supply cable side, 105cm
 Degree of protection : IP54Z
 Motor protection: thermal contact
 Impeller : aluminium, unpainted
 Motor: Aluminium, 1 coat paint, pebble grey
 Conformity: CE
 * Rated data

Characteristic curve

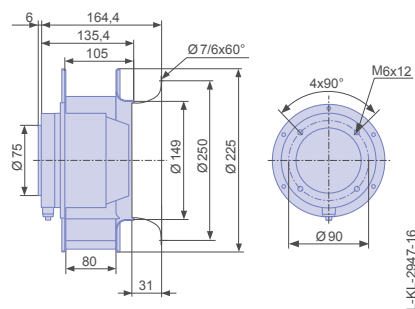


Measured with inlet ring, without guard grille according to ISO 5801

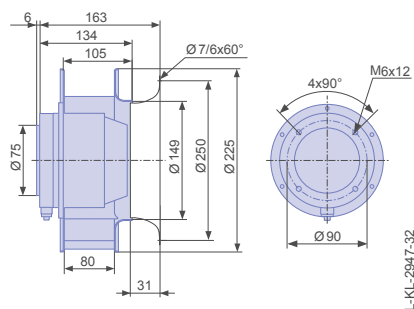
| | | | |
|--------------------|------------|---------------|----------|
| Inlet ring | 00352266 | RAL 7032 | Page 303 |
| | | (pebble grey) | |
| Inlet ring | 00278352 | unpainted | |
| Connection diagram | 1360-106XA | | Page 327 |

Dimensions mm

Free-running motorized impeller RH in installation position H/Vu



Free-running motorized impeller RH in installation position H/Vo

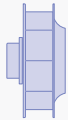



Performance data

| Type | Characteristic curve | Voltage | Frequency | Operating point | Current | Input power | Speed | Suction side sound power level L_{WA5} dB(A) |
|-----------------|----------------------|---------|-----------|-----------------|---------|-------------|------------------------|--|
| | | U V | f Hz | | I A | P_1 W | n min ⁻¹ | |
| RH22M-2DK.1E.1R | I | 400 | 50 | ① | 0.39 | 150 | 2890 | 74 |
| | | 400* | | ② | 0.44* | 210* | 2840* | 71 |
| | | 400 | | ③ | 0.40 | 170 | 2880 | 78 |
| | II | 230 | | ④ | 0.34 | 120 | 2680 | 72 |
| | | 230 | | ⑤ | 0.46 | 180 | 2500 | 68 |
| | | 230 | | ⑥ | 0.38 | 140 | 2620 | 76 |
| | I | 460 | 60 | ① | 0.40 | 230 | 3450 | 78 |
| | | 460* | | ② | 0.50* | 340* | 3350* | 76 |
| | | 460 | | ③ | 0.44 | 260 | 3430 | 82 |
| | II | 400 | | ④ | 0.38 | 220 | 3400 | 78 |
| | | 400* | | ⑤ | 0.52* | 320* | 3260* | 75 |
| | | 400 | | ⑥ | 0.42 | 250 | 3360 | 82 |
| | III | 265 | ⑦ | 0.46 | 200 | 3100 | 75 | |
| | | 265 | ⑧ | 0.64 | 280 | 2760 | 71 | |
| | | 265 | ⑨ | 0.52 | 220 | 2990 | 79 | |
| | IV | 230 | ⑩ | 0.50 | 190 | 2900 | 74 | |
| | | 230 | ⑪ | 0.66 | 250 | 2480 | 68 | |
| | | 230 | ⑫ | 0.56 | 210 | 2760 | 77 | |

*rated data

Fan ordering information

| | | |
|---------------------------|--|--|
| Design | RH* | RH* |
| Installation position | H/Vu | H/Vo |
| |  |  |
| Type | RH22M-2DK.1E.1R | RH22M-2DK.1E.1R |
| Article no. | 172134 | 175221 |
| Weight kg | 4.10 | 4.10 |
| * inlet ring not included | | |

M-series

for three phase alternating current, 2 pole

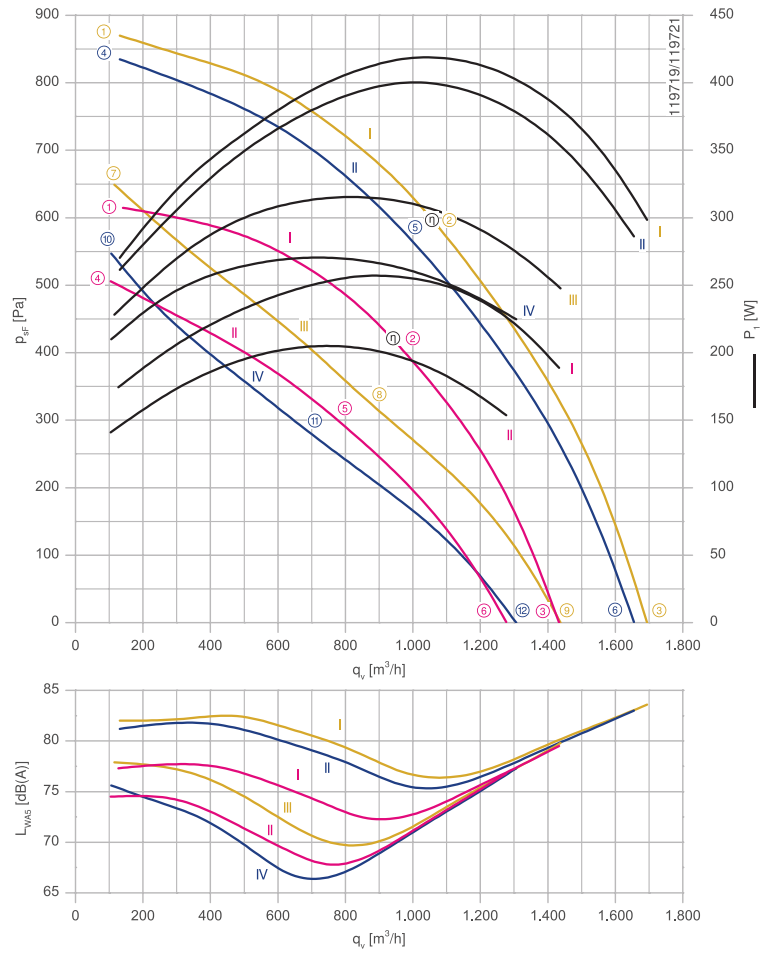
RH25M-2D



Description

Motor technology: AC
 Rated voltage U_N :
 3~ 230/400 V (Δ/Y) | 3-230/400 V (Δ/Y) | 3-265/460 V (Δ/Y) *
 Rated frequency f_N : 50 Hz | 60 Hz | 60 Hz*
 Input power P_i :
 260 W | 400 W | 420 W*
 Rated current I_N :
 0.84/0.48 A | 1.05/0.62 A | 1.05/0.60 A*
 Rated speed n_n :
 2800 min⁻¹ | 3160 min⁻¹ | 3280 min⁻¹*
 Starting current I_A : 4.00/2.20 A | 3,80/2,20 A | 4,40/2,60 A
 Current increase ΔI : 20 % | 20 % | 25 %
 Thermal class: THCL155*
 Min. permitted ambient temperature $t_{R(min)}$: -40 °C
 Max. permitted ambient temperature $t_{R(max)}$:
 70 °C | 60 °C | 60 °C
 Electrical connection: Supply cable side, 105cm
 Degree of protection : IP54Z
 Motor protection: thermal contact
 Impeller : aluminium, unpainted
 Motor: Aluminium, 1 coat paint, pebble grey
 Conformity: CE
 * Rated data

Characteristic curve

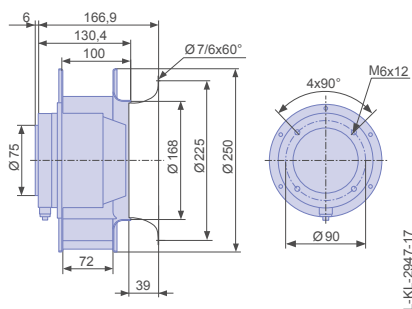


Measured with inlet ring, without guard grille according to ISO 5801

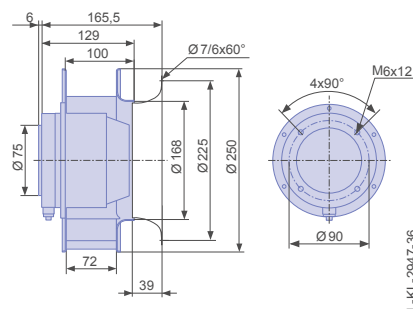
| | | | |
|--------------------|------------|---------------------------|----------|
| Inlet ring | 00401735 | RAL 7032 (pebble grey) | Page 303 |
| Inlet ring | 00275847 | unpainted | |
| Connection diagram | 1360-106XA | | Page 327 |

Dimensions mm

Free-running motorized impeller RH
in installation position H/Vu



Free-running motorized impeller RH
in installation position H/Vo

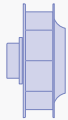



Performance data

| Type | Characteristic curve | Voltage | Frequency | Operating point | Current | Input power | Speed | Suction side sound power level L_{WA5} dB(A) |
|-----------------|----------------------|---------|-----------|-----------------|---------|-------------|------------------------|--|
| | | U V | f Hz | | I A | P_1 W | n min ⁻¹ | |
| RH25M-2DK.1E.2R | I | 400 | 50 | ① | 0.40 | 170 | 2880 | 77 |
| | | 400* | | ② | 0.48* | 260* | 2800* | 72 |
| | | 400 | | ③ | 0.42 | 190 | 2860 | 80 |
| | II | 230 | | ④ | 0.38 | 140 | 2610 | 75 |
| | | 230 | | ⑤ | 0.54 | 210 | 2350 | 68 |
| | | 230 | | ⑥ | 0.42 | 150 | 2550 | 77 |
| | I | 460 | 60 | ① | 0.44 | 270 | 3410 | 82 |
| | | 460* | | ② | 0.60* | 420* | 3280* | 76 |
| | | 460 | | ③ | 0.46 | 300 | 3400 | 84 |
| | II | 400 | | ④ | 0.44 | 260 | 3360 | 81 |
| | | 400* | | ⑤ | 0.62* | 400* | 3160* | 76 |
| | | 400 | | ⑥ | 0.46 | 290 | 3320 | 83 |
| | III | 265 | ⑦ | 0.52 | 230 | 2960 | 78 | |
| | | 265 | ⑧ | 0.74 | 320 | 2530 | 70 | |
| | | 265 | ⑨ | 0.58 | 250 | 2890 | 80 | |
| | IV | 230 | ⑩ | 0.56 | 210 | 2720 | 76 | |
| | | 230 | ⑪ | 0.74 | 270 | 2220 | 67 | |
| | | 230 | ⑫ | 0.60 | 220 | 2620 | 77 | |

*rated data

Fan ordering information

| | | |
|---------------------------|--|--|
| Design | RH* | RH* |
| Installation position | H/Vu | H/Vo |
| |  |  |
| Type | RH25M-2DK.1E.2R | RH25M-2DK.1E.2R |
| Article no. | 172135 | 175222 |
| Weight kg | 4.20 | 4.20 |
| * inlet ring not included | | |

M-series

for three phase alternating current, 2 pole

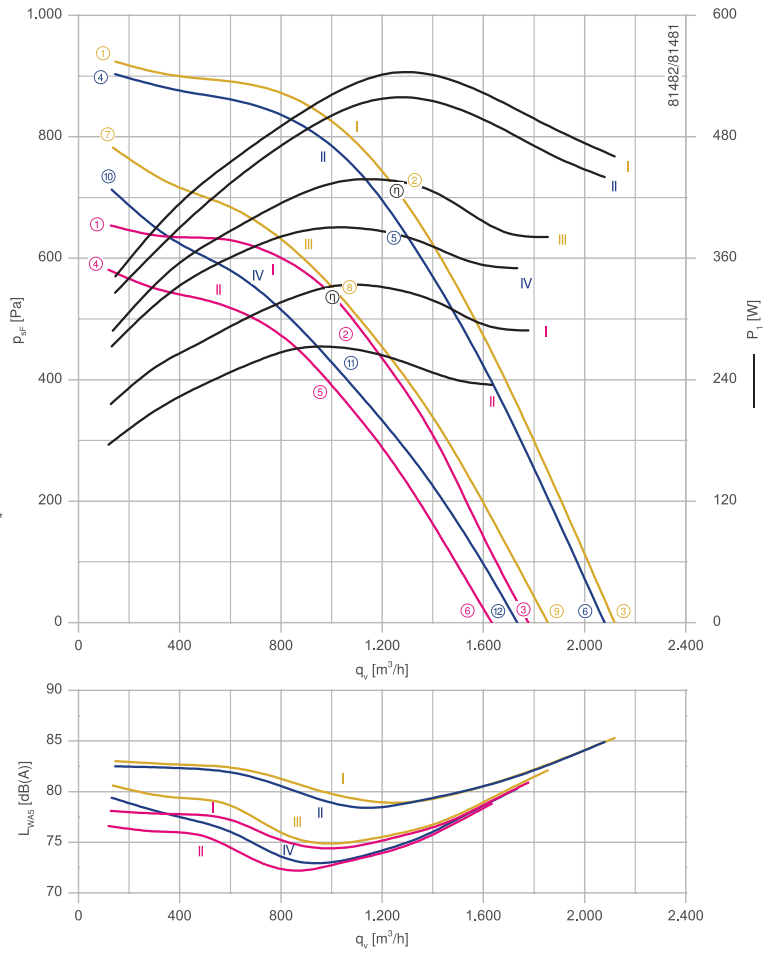
RH25M-2D



Description

Motor technology: AC
 Rated voltage U_N :
 3~ 230/400 V (Δ/Y) | 3~230/400 V (Δ/Y) | 3~265/460 V (Δ/Y) *
 Rated frequency f_N : 50 Hz | 60 Hz | 60 Hz*
 Input power P_i :
 330 W | 520 W | 540 W*
 Rated current I_N :
 1.25/0.72 A | 1.50/0.86 A | 1.45/0.84 A*
 Rated speed n_n :
 2850 min⁻¹ | 3300 min⁻¹ | 3380 min⁻¹*
 Starting current I_A : 7.50/4.40 A | 7,00/4,20 A | 8,50/4,80 A
 Current increase ΔI : 20 % | 30 % | 30 %
 Thermal class: THCL155*
 Min. permitted ambient temperature $t_{R(min)}$: -40 °C
 Max. permitted ambient temperature $t_{R(max)}$:
 70 °C | 70 °C | 70 °C
 Electrical connection: Supply cable side, 105cm
 Degree of protection : IP54
 Motor protection: thermal contact
 Impeller : aluminium, unpainted
 Motor: Aluminium, 1 coat paint, pebble grey
 Conformity: CE
 * Rated data

Characteristic curve

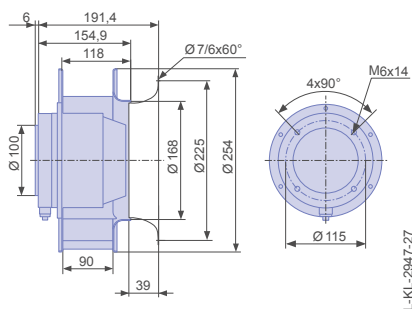


Measured with inlet ring, without guard grille according to ISO 5801

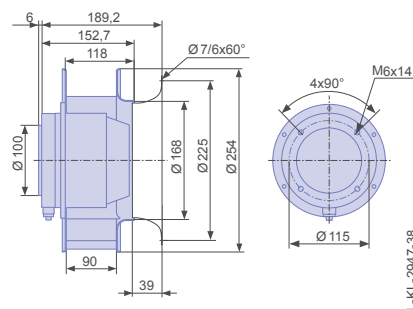
| | | | |
|--------------------|------------|---------------|----------|
| Inlet ring | 00401735 | RAL 7032 | Page 303 |
| | | (pebble grey) | |
| Inlet ring | 00275847 | unpainted | |
| Connection diagram | 1360-106XA | | Page 327 |

Dimensions mm

Free-running motorized impeller RH
in installation position H/Vu



Free-running motorized impeller RH
in installation position H/Vo



Performance data

| Type | Characteristic curve | Voltage | Frequency | Operating point | Current | Input power | Speed | Suction side sound power level L_{WA5} dB(A) |
|-----------------|----------------------|---------|-----------|-----------------|---------|-------------|------------------------|--|
| | | U V | f Hz | | I A | P_1 W | n min ⁻¹ | |
| RH25M-2DK.3F.1R | I | 400 | 50 | ① | 0.62 | 220 | 2910 | 78 |
| | | 400* | | ② | 0.72* | 330* | 2850* | 75 |
| | | 400 | | ③ | 0.66 | 290 | 2880 | 81 |
| | II | 230 | | ④ | 0.50 | 180 | 2750 | 77 |
| | | 230 | | ⑤ | 0.76 | 270 | 2570 | 73 |
| | | 230 | | ⑥ | 0.66 | 230 | 2650 | 79 |
| | I | 460 | 60 | ① | 0.64 | 340 | 3470 | 83 |
| | | 460* | | ② | 0.84* | 540* | 3380* | 79 |
| | | 460 | | ③ | 0.76 | 460 | 3410 | 85 |
| | II | 400 | | ④ | 0.60 | 330 | 3430 | 83 |
| | | 400* | | ⑤ | 0.86* | 520* | 3300* | 79 |
| | | 400 | | ⑥ | 0.76 | 440 | 3350 | 85 |
| | III | 265 | ⑦ | 0.70 | 290 | 3190 | 81 | |
| | | 265 | ⑧ | 1.05 | 440 | 2880 | 75 | |
| | | 265 | ⑨ | 0.92 | 380 | 3010 | 82 | |
| | IV | 230 | ⑩ | 0.74 | 270 | 3050 | 79 | |
| | | 230 | ⑪ | 1.10 | 390 | 2650 | 73 | |
| | | 230 | ⑫ | 0.96 | 350 | 2820 | 80 | |

*rated data

Fan ordering information

| | | |
|---------------------------|--|--|
| Design | RH* | RH* |
| Installation position | H/Vu | H/Vo |
| |  |  |
| Type | RH25M-2DK.3F.1R | RH25M-2DK.3F.1R |
| Article no. | 172137 | 175224 |
| Weight kg | 6.90 | 6.90 |
| * inlet ring not included | | |

M-series

for three phase alternating current, 2 pole

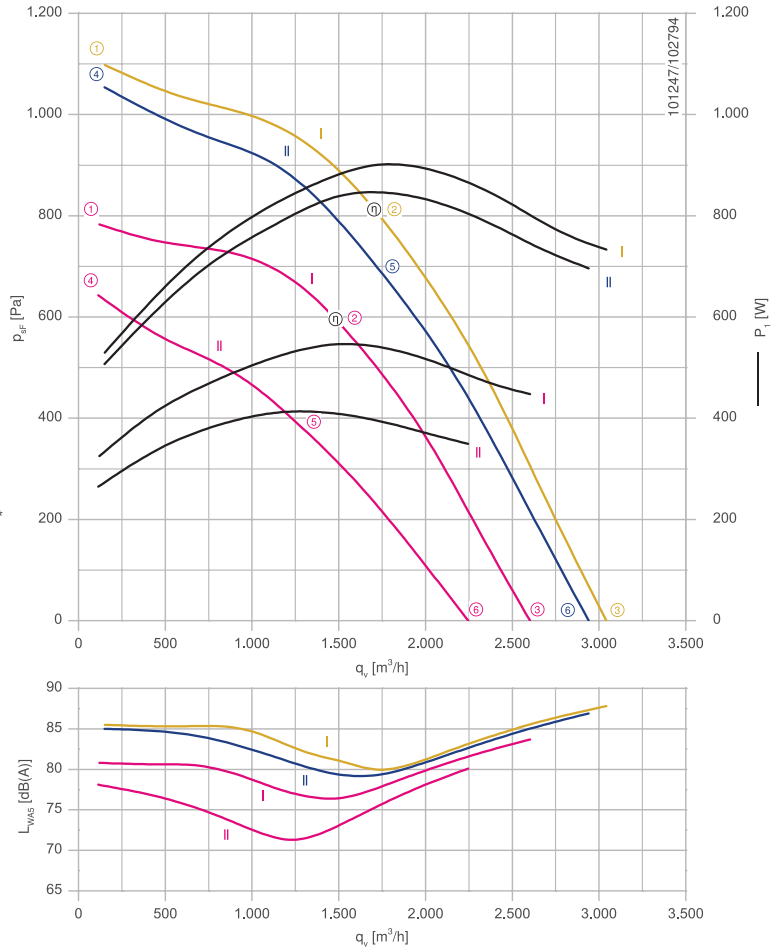
RH28M-2D



Description

Motor technology: AC
 Rated voltage U_N :
 3~ 230/400 V (Δ/Y) | 3-230/400 V (Δ/Y) | 3-265/460 V (Δ/Y) *
 Rated frequency f_N : 50 Hz | 60 Hz | 60 Hz*
 Input power P_i :
 540 W | 840 W | 900 W*
 Rated current I_N :
 1.70/0.98 A | 2.30/1.35 A | 2.30/1.30 A*
 Rated speed n_n :
 2740 min⁻¹ | 3030 min⁻¹ | 3180 min⁻¹*
 Starting current I_s : 7.50/4.40 A | 7,00/4,20 A | 8,50/4,80 A
 Current increase ΔI : 15 %
 Thermal class: THCL155*
 Min. permitted ambient temperature $t_{R(min)}$: -40 °C
 Max. permitted ambient temperature $t_{R(max)}$:
 70 °C | 50 °C | 50 °C
 Electrical connection: Supply cable side, 105cm
 Degree of protection : IP54
 Motor protection: thermal contact
 Impeller : aluminium, unpainted
 Motor: Aluminium, 1 coat paint, pebble grey
 Conformity: CE
 * Rated data

Characteristic curve

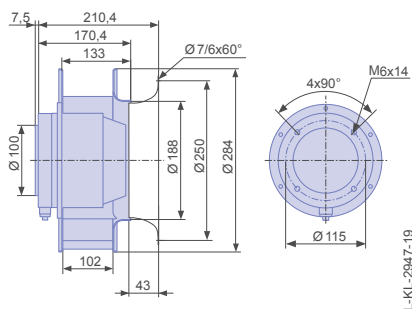


Measured with inlet ring, without guard grille according to ISO 5801
 Not 60Hz voltage controllable fan.

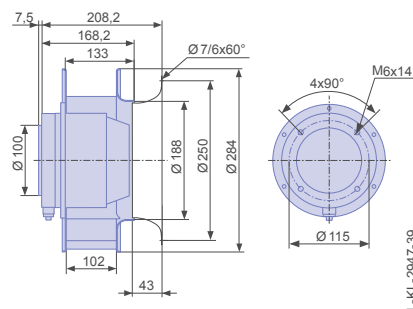
| | | | |
|--------------------|------------|---------------|----------|
| Inlet ring | 00280734 | RAL 7032 | Page 303 |
| | | (pebble grey) | |
| Inlet ring | 00275848 | unpainted | |
| Connection diagram | 1360-106XA | | Page 327 |

Dimensions mm

Free-running motorized impeller RH in installation position H/Vu



Free-running motorized impeller RH in installation position H/Vo



Performance data

| Type | Characteristic curve | Voltage | Frequency | Operating point | Current | Input power | Speed | Suction side sound power level L_{WA5} dB(A) |
|-----------------|----------------------|---------|-----------|-----------------|---------|-------------|------------------------|--|
| | | U V | f Hz | | I A | P_1 W | n min ⁻¹ | |
| RH28M-2DK.3F.1R | I | 400 | 50 | ① | 0.74 | 330 | 2860 | 81 |
| | | 400* | | ② | 0.98* | 540* | 2740* | 76 |
| | | 400 | | ③ | 0.86 | 440 | 2800 | 84 |
| | | 230 | | ④ | 0.72 | 260 | 2600 | 78 |
| | | 230 | | ⑤ | 1.15 | 420 | 2260 | 71 |
| | | 230 | | ⑥ | 0.96 | 350 | 2420 | 80 |
| | I | 460 | 60 | ① | 0.84 | 520 | 3380 | 86 |
| | | 460* | | ② | 1.30* | 900* | 3180* | 80 |
| | | 460 | | ③ | 1.10 | 740 | 3280 | 88 |
| | | 400 | | ④ | 0.86 | 500 | 3320 | 85 |
| | | 400* | | ⑤ | 1.35* | 840* | 3030* | 79 |
| | | 400 | | ⑥ | 1.10 | 700 | 3170 | 87 |
| | II | 400 | 50 | ① | 0.74 | 330 | 2860 | 81 |
| | | 400* | | ② | 0.98* | 540* | 2740* | 76 |
| | | 400 | | ③ | 0.86 | 440 | 2800 | 84 |
| | | 230 | | ④ | 0.72 | 260 | 2600 | 78 |
| | | 230 | | ⑤ | 1.15 | 420 | 2260 | 71 |
| | | 230 | | ⑥ | 0.96 | 350 | 2420 | 80 |

*rated data

Fan ordering information

| | | |
|---------------------------|---|---|
| Design | RH* | RH* |
| Installation position | H/Vu | H/Vo |
| |  |  |
| Type | RH28M-2DK.3F.1R | RH28M-2DK.3F.1R |
| Article no. | 172138 | 175225 |
| Weight kg | 7.20 | 7.20 |
| * inlet ring not included | | |

M-series

for three phase alternating current, 2 pole

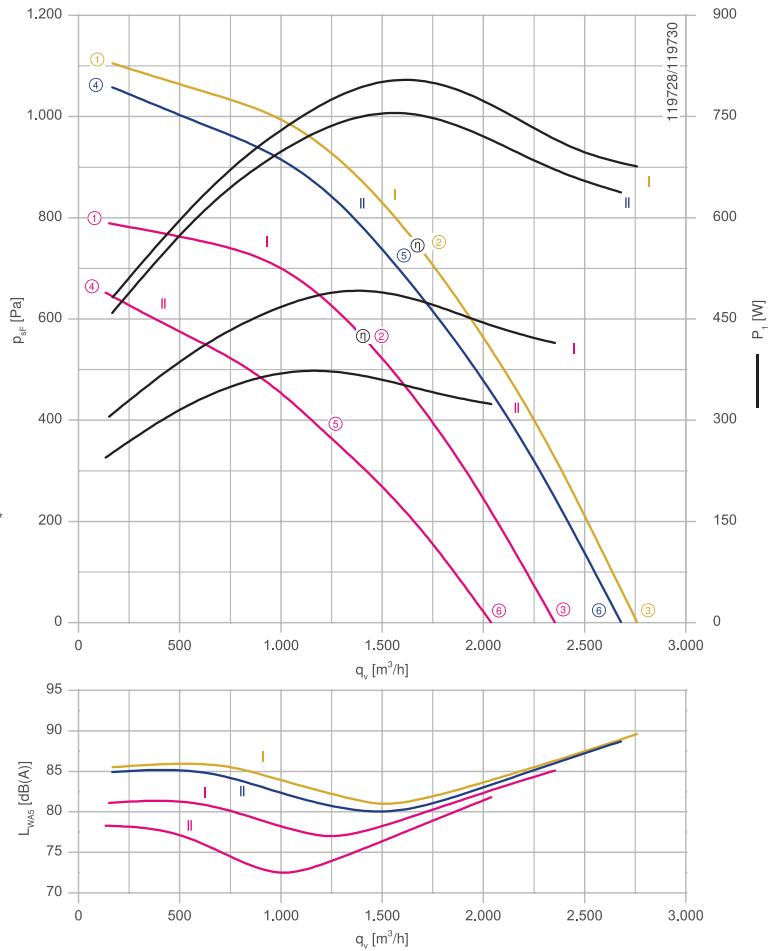
RH28M-2D



Description

Motor technology: AC
 Rated voltage U_N :
 3- 230/400 V (Δ/Y) | 3-230/400 V (Δ/Y) | 3-265/460 V (Δ/Y) *
 Rated frequency f_N : 50 Hz | 60 Hz | 60 Hz*
 Input power P_i :
 500 W | 760 W | 800 W*
 Rated current I_N :
 1.55/0.90 A | 2.10/1.20 A | 2.00/1.15 A*
 Rated speed n_n :
 2760 min⁻¹ | 3080 min⁻¹ | 3210 min⁻¹*
 Starting current I_A : 7.50/4.40 A | 7,00/4,20 A | 8,50/4,80 A
 Current increase ΔI : 15 %
 Thermal class: THCL155*
 Min. permitted ambient temperature $t_{R(min)}$: -40 °C
 Max. permitted ambient temperature $t_{R(max)}$:
 70 °C | 60 °C | 60 °C
 Electrical connection: Supply cable side, 105cm
 Degree of protection : IP54
 Motor protection: thermal contact
 Impeller : aluminium, unpainted
 Motor: Aluminium, 1 coat paint, pebble grey
 Conformity: CE
 * Rated data

Characteristic curve

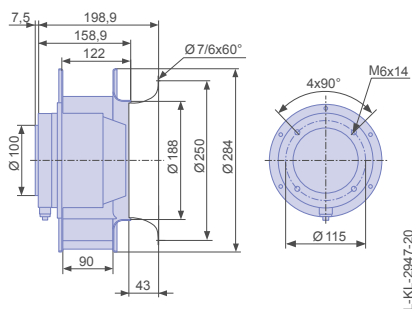


Measured with inlet ring, without guard grille according to ISO 5801
 Not 60Hz voltage controllable fan.

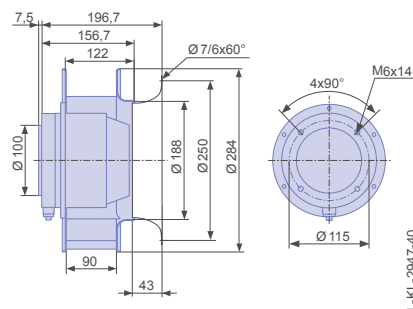
| | | | |
|--------------------|------------|---------------|----------|
| Inlet ring | 00280734 | RAL 7032 | Page 303 |
| | | (pebble grey) | |
| Inlet ring | 00275848 | unpainted | |
| Connection diagram | 1360-106XA | | Page 327 |

Dimensions mm

Free-running motorized impeller RH
in installation position H/Vu



Free-running motorized impeller RH
in installation position H/Vo




Performance data

| Type | Characteristic curve | Voltage | Frequency | Operating point | Current | Input power | Speed | Suction side sound power level L_{WA5} dB(A) |
|-----------------|----------------------|---------|-----------|-----------------|---------|-------------|------------------------|--|
| | | U V | f Hz | | I A | P_1 W | n min ⁻¹ | |
| RH28M-2DK.3F.2R | I | 400 | 50 | ① | 0.72 | 310 | 2850 | 81 |
| | | 400* | | ② | 0.90* | 500* | 2760* | 77 |
| | | 400 | | ③ | 0.82 | 420 | 2810 | 85 |
| | | 230 | | ④ | 0.68 | 240 | 2610 | 78 |
| | | 230 | | ⑤ | 1.00 | 370 | 2310 | 74 |
| | | 230 | | ⑥ | 0.88 | 320 | 2440 | 82 |
| | I | 460 | 60 | ① | 0.80 | 480 | 3390 | 86 |
| | | 460* | | ② | 1.15* | 800* | 3210* | 82 |
| | | 460 | | ③ | 1.00 | 680 | 3290 | 90 |
| | | 400 | | ④ | 0.78 | 460 | 3320 | 85 |
| | | 400* | | ⑤ | 1.20* | 760* | 3080* | 80 |
| | | 400 | | ⑥ | 1.05 | 640 | 3200 | 89 |
| | II | 400 | 50 | ① | 0.72 | 310 | 2850 | 81 |
| | | 400* | | ② | 0.90* | 500* | 2760* | 77 |
| | | 400 | | ③ | 0.82 | 420 | 2810 | 85 |
| | | 230 | | ④ | 0.68 | 240 | 2610 | 78 |
| | | 230 | | ⑤ | 1.00 | 370 | 2310 | 74 |
| | | 230 | | ⑥ | 0.88 | 320 | 2440 | 82 |

*rated data

Fan ordering information

| | | |
|---------------------------|---|---|
| Design | RH* | RH* |
| Installation position | H/Vu | H/Vo |
| |  |  |
| Type | RH28M-2DK.3F.2R | RH28M-2DK.3F.2R |
| Article no. | 172139 | 175226 |
| Weight kg | 7.10 | 7.10 |
| * inlet ring not included | | |

M-series

for three phase alternating current, 2 pole

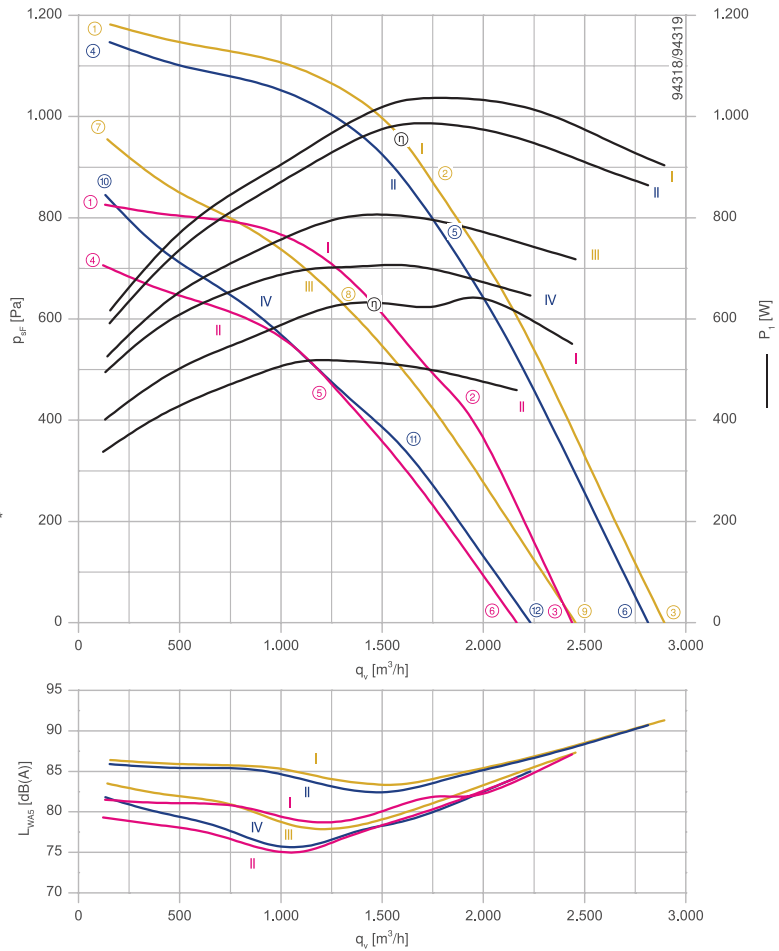
RH28M-2D



Description

Motor technology: AC
 Rated voltage U_N :
 3~ 230/400 V (Δ/Y) | 3~230/400 V (Δ/Y) | 3~265/460 V (Δ/Y) *
 Rated frequency f_N : 50 Hz | 60 Hz | 60 Hz*
 Input power P_i :
 640 W | 980 W | 1.05 kW*
 Rated current I_N :
 2.10/1.20 A | 2.80/1.60 A | 2.60/1.50 A*
 Rated speed n_n :
 2820 min⁻¹ | 3230 min⁻¹ | 3320 min⁻¹*
 Starting current I_A : 13,00/7,50 A | 12,00/7,00 A | 14,00/8,00 A
 Current increase ΔI : 30 % | 20 % | 30 %
 Thermal class: THCL155*
 Min. permitted ambient temperature $t_{R(min)}$: -40 °C
 Max. permitted ambient temperature $t_{R(max)}$:
 70 °C | 50 °C | 50 °C
 Electrical connection: Supply cable side, 105cm
 Degree of protection : IP54
 Motor protection: thermal contact
 Impeller : aluminium, unpainted
 Motor: Aluminium, 1 coat paint, pebble grey
 Conformity: CE
 * Rated data

Characteristic curve

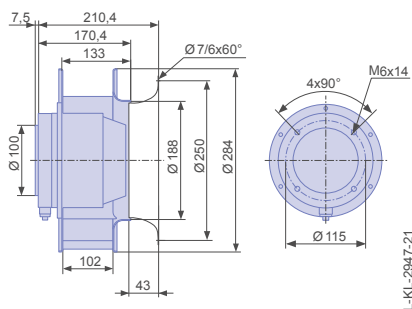


Measured with inlet ring, without guard grille according to ISO 5801

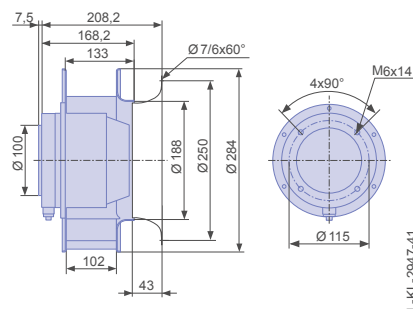
| | | | |
|--------------------|------------|---------------|----------|
| Inlet ring | 00280734 | RAL 7032 | Page 303 |
| | | (pebble grey) | |
| Inlet ring | 00275848 | unpainted | |
| Connection diagram | 1360-106XA | | Page 327 |

Dimensions mm

Free-running motorized impeller RH in installation position H/Vu



Free-running motorized impeller RH in installation position H/Vo

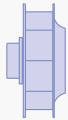



Performance data

| Type | Characteristic curve | Voltage | Frequency | Operating point | Current | Input power | Speed | Suction side sound power level L_{WA5} dB(A) |
|-----------------|----------------------|---------|-----------|-----------------|---------|-------------|------------------------|--|
| | | U V | f Hz | | I A | P_1 W | n min ⁻¹ | |
| RH28M-2DK.3I.1R | I | 400 | 50 | ① | 0.98 | 400 | 2900 | 82 |
| | | 400* | | ② | 1.20* | 640* | 2820* | 82 |
| | | 400 | | ③ | 1.10 | 560 | 2850 | 87 |
| | II | 230 | | ④ | 0.94 | 340 | 2680 | 79 |
| | | 230 | | ⑤ | 1.40 | 520 | 2450 | 77 |
| | | 230 | | ⑥ | 1.25 | 460 | 2530 | 84 |
| | I | 460 | 60 | ① | 1.05 | 620 | 3460 | 86 |
| | | 460* | | ② | 1.50* | 1050* | 3320* | 84 |
| | | 460 | | ③ | 1.35 | 900 | 3370 | 91 |
| | II | 400 | | ④ | 1.00 | 600 | 3410 | 86 |
| | | 400* | | ⑤ | 1.60* | 980* | 3230* | 84 |
| | | 400 | | ⑥ | 1.40 | 860 | 3290 | 91 |
| | III | 265 | ⑦ | 1.25 | 520 | 3120 | 84 | |
| | | 265 | ⑧ | 1.90 | 800 | 2710 | 78 | |
| | | 265 | ⑨ | 1.70 | 720 | 2860 | 87 | |
| | IV | 230 | ⑩ | 1.35 | 500 | 2930 | 82 | |
| | | 230 | ⑪ | 1.95 | 700 | 2490 | 79 | |
| | | 230 | ⑫ | 1.75 | 640 | 2620 | 85 | |

*rated data

Fan ordering information

| | | |
|---------------------------|--|--|
| Design | RH* | RH* |
| Installation position | H/Vu | H/Vo |
| |  |  |
| Type | RH28M-2DK.3I.1R | RH28M-2DK.3I.1R |
| Article no. | 172140 | 175227 |
| Weight kg | 9.10 | 9.10 |
| * inlet ring not included | | |

M-series

for three phase alternating current, 2 pole

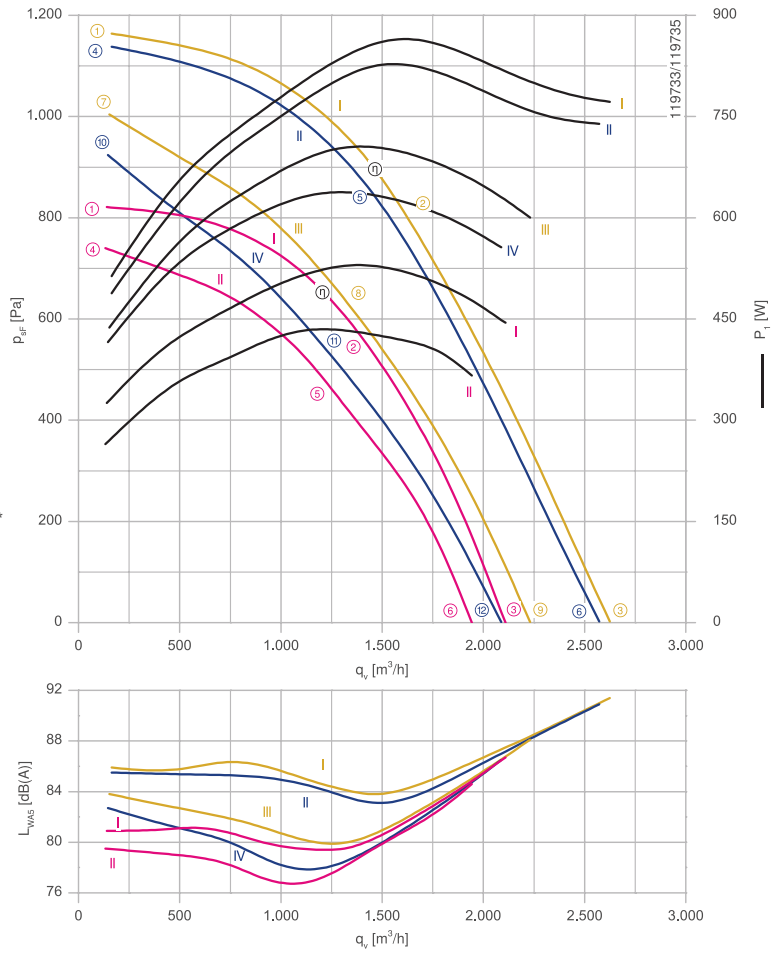
RH28M-2D



Description

Motor technology: AC
 Rated voltage U_N :
 3~ 230/400 V (Δ/Y) | 3~230/400 V (Δ/Y) | 3~265/460 V (Δ/Y) *
 Rated frequency f_N : 50 Hz | 60 Hz | 60 Hz*
 Input power P_i :
 520 W | 820 W | 860 W*
 Rated current I_N :
 1.90/1.10 A | 2.30/1.35 A | 2.30/1.35 A*
 Rated speed n_n :
 2860 min⁻¹ | 3310 min⁻¹ | 3380 min⁻¹*
 Starting current I_A : 13,00/7,50 A | 12,00/7,00 A | 14,00/8,00 A
 Current increase ΔI : 20 % | 30 % | 30 %
 Thermal class: THCL155*
 Min. permitted ambient temperature $t_{R(min)}$: -40 °C
 Max. permitted ambient temperature $t_{R(max)}$:
 70 °C | 70 °C | 70 °C
 Electrical connection: Supply cable side, 105cm
 Degree of protection : IP54
 Motor protection: thermal contact
 Impeller : aluminium, unpainted
 Motor: Aluminium, 1 coat paint, pebble grey
 Conformity: CE
 * Rated data

Characteristic curve

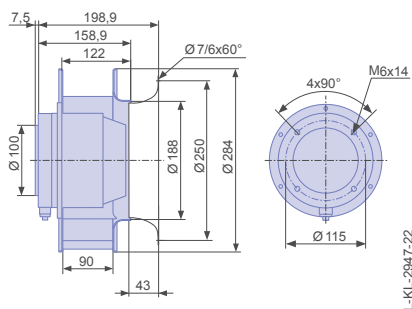


Measured with inlet ring, without guard grille according to ISO 5801

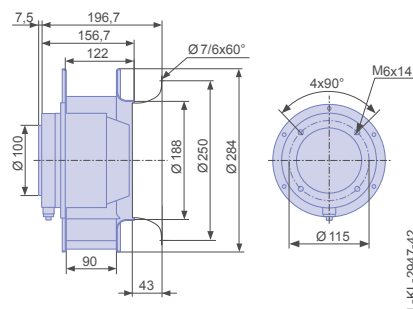
| | | | |
|--------------------|------------|---------------|----------|
| Inlet ring | 00280734 | RAL 7032 | Page 303 |
| | | (pebble grey) | |
| Inlet ring | 00275848 | unpainted | |
| Connection diagram | 1360-106XA | | Page 327 |

Dimensions mm

Free-running motorized impeller RH
in installation position H/Vu



Free-running motorized impeller RH
in installation position H/Vo



Performance data

| Type | Characteristic curve | Voltage | Frequency | Operating point | Current | Input power | Speed | Suction side sound power level |
|-----------------|----------------------|---------|-----------|-----------------|---------|---------------------|------------------------|--------------------------------|
| | | U V | f Hz | | I A | P ₁ W | n min ⁻¹ | L _{WA5} dB(A) |
| RH28M-2DK.3I.2R | I | 400 | 50 | ① | 0.96 | 330 | 2920 | 81 |
| | | 400* | | ② | 1.10* | 520* | 2860* | 80 |
| | | 400 | | ③ | 1.05 | 440 | 2890 | 87 |
| | II | 230 | | ④ | 0.76 | 260 | 2780 | 80 |
| | | 230 | | ⑤ | 1.20 | 440 | 2590 | 78 |
| | | 230 | | ⑥ | 1.00 | 370 | 2670 | 85 |
| | I | 460 | 60 | ① | 0.98 | 520 | 3490 | 86 |
| | | 460* | | ② | 1.35* | 860* | 3380* | 84 |
| | | 460 | | ③ | 1.25 | 780 | 3410 | 91 |
| | II | 400 | | ④ | 0.90 | 480 | 3450 | 86 |
| | | 400* | | ⑤ | 1.35* | 820* | 3310* | 83 |
| | | 400 | | ⑥ | 1.25 | 740 | 3340 | 91 |
| | III | 265 | ⑦ | 1.05 | 440 | 3240 | 84 | |
| | | 265 | ⑧ | 1.65 | 700 | 2920 | 80 | |
| | | 265 | ⑨ | 1.40 | 600 | 3060 | 88 | |
| | IV | 230 | ⑩ | 1.15 | 420 | 3110 | 83 | |
| | | 230 | ⑪ | 1.75 | 640 | 2700 | 78 | |
| | | 230 | ⑫ | 1.50 | 560 | 2870 | 87 | |

*rated data

Fan ordering information

| | | |
|---------------------------|--|--|
| Design | RH* | RH* |
| Installation position | H/Vu | H/Vo |
| |  |  |
| Type | RH28M-2DK.3I.2R | RH28M-2DK.3I.2R |
| Article no. | 172141 | 175228 |
| Weight kg | 9.00 | 9.00 |
| * inlet ring not included | | |

M-series

for three phase alternating current, 4 pole

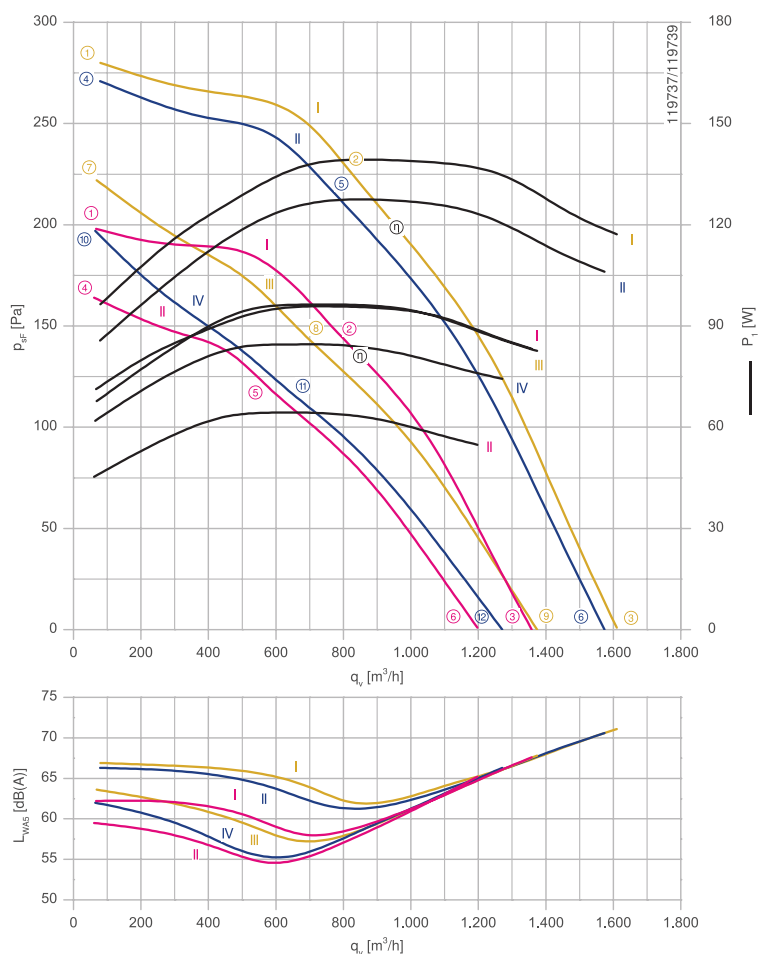
RH28M-4D



Description

Motor technology: AC
 Rated voltage U_N :
 3~ 230/400 V (Δ/Y) | 3-230/400 V (Δ/Y) | 3-265/460 V (Δ/Y) *
 Rated frequency f_N : 50 Hz | 60 Hz | 60 Hz*
 Input power P_i :
 95 W | 130 W | 140 W*
 Rated current I_N :
 0.42/0.24 A | 0.42/0.24 A | 0.44/0.25 A*
 Rated speed n_n :
 1380 min⁻¹ | 1580 min⁻¹ | 1630 min⁻¹*
 Starting current I_A : 1.30/0.75 A | 1,20/0,70 A | 1,40/0,80 A
 Current increase ΔI : 0 % | 0 % | 0 %
 Thermal class: THCL155*
 Min. permitted ambient temperature $t_{R(min)}$: -40 °C
 Max. permitted ambient temperature $t_{R(max)}$:
 70 °C | 70 °C | 70 °C
 Electrical connection: Supply cable side, 105cm
 Degree of protection : IP54Z
 Motor protection: thermal contact
 Impeller : aluminium, unpainted
 Motor: Aluminium, 1 coat paint, pebble grey
 Conformity: CE
 * Rated data

Characteristic curve

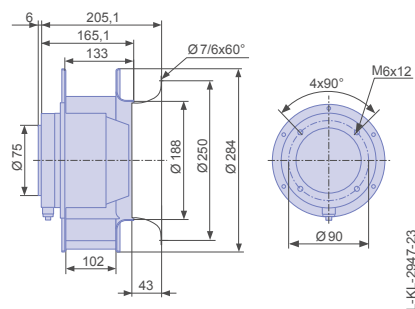


Measured with inlet ring, without guard grille according to ISO 5801

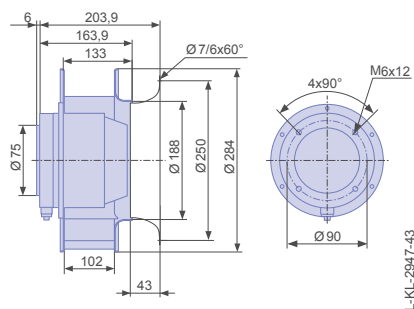
| | | | |
|--------------------|------------|---------------|----------|
| Inlet ring | 00280734 | RAL 7032 | Page 303 |
| | | (pebble grey) | |
| Inlet ring | 00275848 | unpainted | |
| Connection diagram | 1360-106XA | | Page 327 |

Dimensions mm

Free-running motorized impeller RH
in installation position H/Vu



Free-running motorized impeller RH
in installation position H/Vo

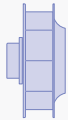



Performance data

| Type | Characteristic curve | Voltage | Frequency | Operating point | Current | Input power | Speed | Suction side sound power level L_{WA5} dB(A) |
|-----------------|----------------------|---------|-----------|-----------------|---------|-------------|------------------------|--|
| | | U V | f Hz | | I A | P_1 W | n min ⁻¹ | |
| RH28M-4DK.2A.1R | I | 400 | 50 | ① | 0.23 | 70 | 1430 | 62 |
| | | 400* | | ② | 0.24* | 95* | 1380* | 58 |
| | | 400 | | ③ | 0.24 | 85 | 1410 | 68 |
| | II | 230 | | ④ | 0.15 | 46 | 1310 | 60 |
| | | 230 | | ⑤ | 0.18 | 65 | 1180 | 55 |
| | | 230 | | ⑥ | 0.16 | 55 | 1250 | 65 |
| | I | 460 | 60 | ① | 0.22 | 95 | 1700 | 67 |
| | | 460* | | ② | 0.25* | 140* | 1630* | 62 |
| | | 460 | | ③ | 0.24 | 120 | 1670 | 71 |
| | II | 400 | | ④ | 0.19 | 85 | 1680 | 66 |
| | | 400* | | ⑤ | 0.24* | 130* | 1580* | 62 |
| | | 400 | | ⑥ | 0.21 | 110 | 1630 | 71 |
| III | 265 | ⑦ | 0.17 | 70 | 1510 | 64 | | |
| | 265 | ⑧ | 0.23 | 95 | 1330 | 57 | | |
| | 265 | ⑨ | 0.20 | 85 | 1430 | 68 | | |
| IV | 230 | ⑩ | 0.17 | 60 | 1430 | 62 | | |
| | 230 | ⑪ | 0.23 | 85 | 1210 | 57 | | |
| | 230 | ⑫ | 0.21 | 75 | 1320 | 66 | | |

*rated data

Fan ordering information

| | | |
|---------------------------|--|--|
| Design | RH* | RH* |
| Installation position | H/Vu | H/Vo |
| |  |  |
| Type | RH28M-4DK.2A.1R | RH28M-4DK.2A.1R |
| Article no. | 172142 | 175229 |
| Weight kg | 3.30 | 3.30 |
| * inlet ring not included | | |

M-series

for three phase alternating current, 2 pole

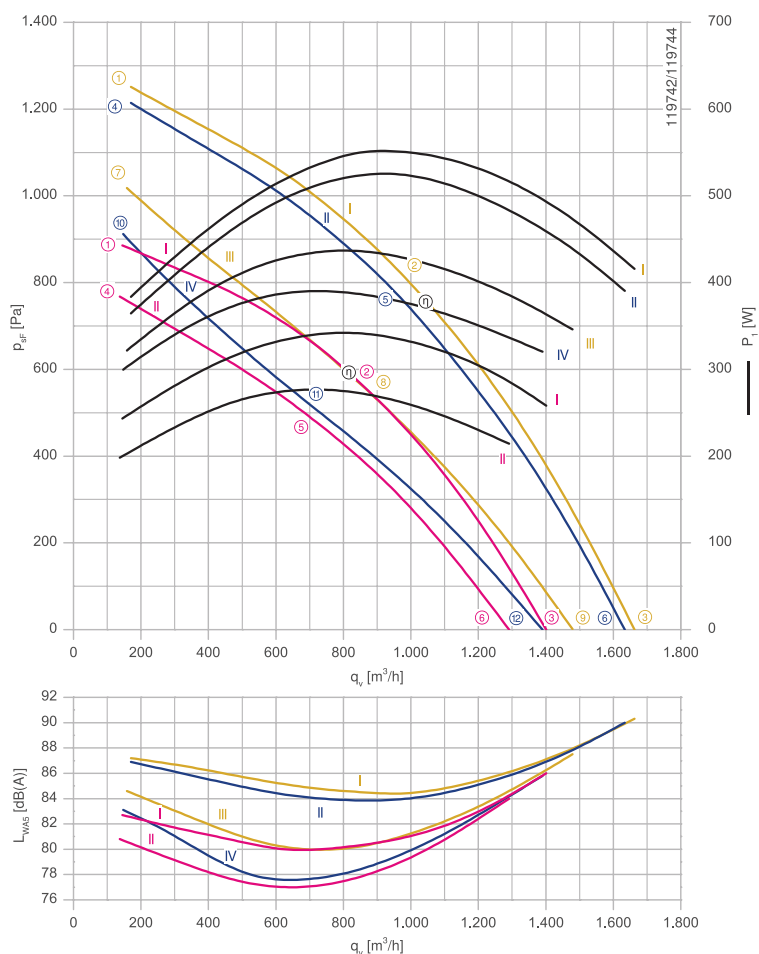
RH31M-2D



Description

Motor technology: AC
 Rated voltage U_N :
 3~ 230/400 V (Δ/Y) | 3~230/400 V (Δ/Y) | 3~265/460 V (Δ/Y) *
 Rated frequency f_N : 50 Hz | 60 Hz | 60 Hz*
 Input power P_i :
 340 W | 520 W | 560 W*
 Rated current I_N :
 1.30/0.74 A | 1.50/0.88 A | 1.50/0.88 A*
 Rated speed n_n :
 2840 min⁻¹ | 3280 min⁻¹ | 3360 min⁻¹*
 Starting current I_A : 7.50/4.40 A | 7,00/4,20 A | 8,50/4,80 A
 Current increase ΔI : 15 % | 25 % | 25 %
 Thermal class: THCL155*
 Min. permitted ambient temperature $t_{R(min)}$: -40 °C
 Max. permitted ambient temperature $t_{R(max)}$:
 70 °C | 70 °C | 70 °C
 Electrical connection: Supply cable side, 105cm
 Degree of protection : IP54
 Motor protection: thermal contact
 Impeller : aluminium, unpainted
 Motor: Aluminium, 1 coat paint, pebble grey
 Conformity: CE
 * Rated data

Characteristic curve

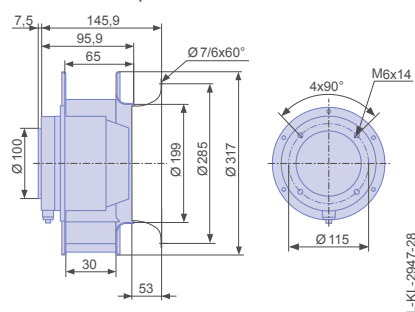


Measured with inlet ring, without guard grille according to ISO 5801

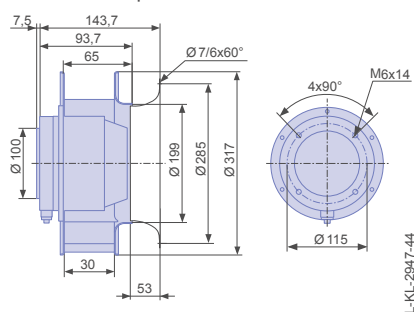
| | | | |
|--------------------|------------|---------------|----------|
| Inlet ring | 00400327 | RAL 7032 | Page 303 |
| | | (pebble grey) | |
| Inlet ring | 00279152 | unpainted | |
| Connection diagram | 1360-106XA | | Page 327 |

Dimensions mm

Free-running motorized impeller RH
in installation position H/Vu



Free-running motorized impeller RH
in installation position H/Vo



Performance data

| Type | Characteristic curve | Voltage | Frequency | Operating point | Current | Input power | Speed | Suction side sound power level L_{WA5} dB(A) |
|-----------------|----------------------|---------|-----------|-----------------|---------|-------------|------------------------|--|
| | | U V | f Hz | | I A | P_1 W | n min ⁻¹ | |
| RH31M-2DK.3F.3R | I | 400 | 50 | ① | 0.66 | 240 | 2900 | 83 |
| | | 400* | | ② | 0.74* | 340* | 2840* | 80 |
| | | 400 | | ③ | 0.68 | 260 | 2890 | 86 |
| | II | 230 | | ④ | 0.56 | 200 | 2700 | 81 |
| | | 230 | | ⑤ | 0.76 | 280 | 2540 | 77 |
| | | 230 | | ⑥ | 0.60 | 210 | 2670 | 84 |
| | I | 460 | 60 | ① | 0.70 | 380 | 3450 | 87 |
| | | 460* | | ② | 0.88* | 560* | 3360* | 84 |
| | | 460 | | ③ | 0.74 | 420 | 3430 | 90 |
| | II | 400 | | ④ | 0.66 | 360 | 3400 | 87 |
| | | 400* | | ⑤ | 0.88* | 520* | 3280* | 84 |
| | | 400 | | ⑥ | 0.70 | 390 | 3380 | 90 |
| | III | 265 | | ⑦ | 0.78 | 320 | 3110 | 85 |
| | | 265 | | ⑧ | 1.05 | 440 | 2840 | 80 |
| | | 265 | | ⑨ | 0.84 | 350 | 3060 | 88 |
| | IV | 230 | | ⑩ | 0.82 | 300 | 2940 | 83 |
| | | 230 | | ⑪ | 1.10 | 390 | 2600 | 78 |
| | | 230 | | ⑫ | 0.90 | 320 | 2870 | 86 |

*rated data

Fan ordering information

| | | |
|---------------------------|--|--|
| Design | RH* | RH* |
| Installation position | H/Vu | H/Vo |
| |  |  |
| Type | RH31M-2DK.3F.3R | RH31M-2DK.3F.3R |
| Article no. | 172143 | 175230 |
| Weight kg | 7.20 | 7.20 |
| * inlet ring not included | | |

M-series

for three phase alternating current, 2 pole

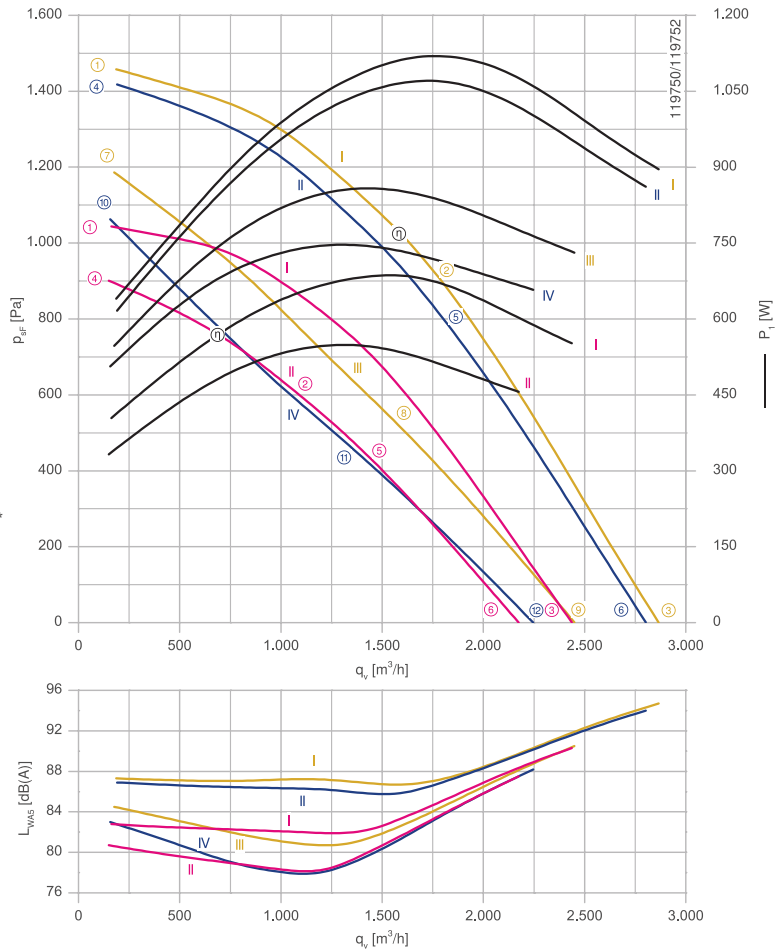
RH31M-2D



Description

Motor technology: AC
 Rated voltage U_N :
 3~ 230/400 V (Δ/Y) | 3~230/400 V (Δ/Y) | 3~265/460 V (Δ/Y) *
 Rated frequency f_N : 50 Hz | 60 Hz | 60 Hz*
 Input power P_i :
 680 W | 1.05 kW | 1.10 kW*
 Rated current I_N :
 2.30/1.30 A | 2.90/1.70 A | 2.80/1.60 A*
 Rated speed n_n :
 2830 min⁻¹ | 3210 min⁻¹ | 3300 min⁻¹*
 Starting current I_A : 13,00/7,50 A | 12,00/7,00 A | 14,00/8,00 A
 Current increase ΔI : 20 % | 20 % | 30 %
 Thermal class: THCL155*
 Min. permitted ambient temperature $t_{R(min)}$: -40 °C
 Max. permitted ambient temperature $t_{R(max)}$:
 70 °C | 40 °C | 40 °C
 Electrical connection: Supply cable side, 105cm
 Degree of protection : IP54
 Motor protection: thermal contact
 Impeller : aluminium, unpainted
 Motor: Aluminium, 1 coat paint, pebble grey
 Conformity: CE
 * Rated data

Characteristic curve

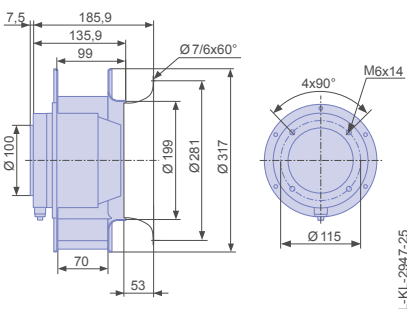


Measured with inlet ring, without guard grille according to ISO 5801

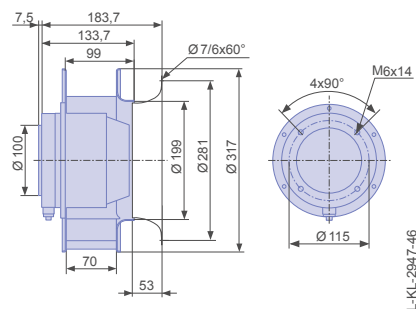
| | | | |
|--------------------|------------|---------------|----------|
| Inlet ring | 00400327 | RAL 7032 | Page 303 |
| | | (pebble grey) | |
| Inlet ring | 00279152 | unpainted | |
| Connection diagram | 1360-106XA | | Page 327 |

Dimensions mm

Free-running motorized impeller RH
in installation position H/Vu



Free-running motorized impeller RH
in installation position H/Vo

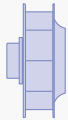


Performance data

| Type | Characteristic curve | Voltage | Frequency | Operating point | Current | Input power | Speed | Suction side sound power level L_{WA5} dB(A) |
|-----------------|----------------------|---------|-----------|-----------------|---------|-------------|------------------------|--|
| | | U V | f Hz | | I A | P_1 W | n min ⁻¹ | |
| RH31M-2DK.3I.2R | I | 400 | 50 | ① | 1.00 | 400 | 2910 | 83 |
| | | 400* | | ② | 1.30* | 680* | 2830* | 83 |
| | | 400 | | ③ | 1.15 | 560 | 2860 | 90 |
| | II | 230 | | ④ | 0.92 | 330 | 2710 | 81 |
| | | 230 | | ⑤ | 1.50 | 540 | 2450 | 80 |
| | | 230 | | ⑥ | 1.25 | 460 | 2570 | 88 |
| | I | 460 | 60 | ① | 1.10 | 640 | 3450 | 87 |
| | | 460* | | ② | 1.60* | 1100* | 3300* | 87 |
| | | 460 | | ③ | 1.35 | 900 | 3370 | 95 |
| | II | 400 | | ④ | 1.05 | 620 | 3400 | 87 |
| | | 400* | | ⑤ | 1.70* | 1050* | 3210* | 87 |
| | | 400 | | ⑥ | 1.40 | 860 | 3300 | 94 |
| | III | 265 | ⑦ | 1.30 | 540 | 3110 | 85 | |
| | | 265 | ⑧ | 2.00 | 860 | 2690 | 82 | |
| | | 265 | ⑨ | 1.70 | 740 | 2900 | 91 | |
| | IV | 230 | ⑩ | 1.35 | 500 | 2950 | 83 | |
| | | 230 | ⑪ | 2.00 | 740 | 2430 | 79 | |
| | | 230 | ⑫ | 1.80 | 660 | 2660 | 88 | |

*rated data

Fan ordering information

| | | |
|---------------------------|--|--|
| Design | RH* | RH* |
| Installation position | H/Vu | H/Vo |
| |  |  |
| Type | RH31M-2DK.3I.2R | RH31M-2DK.3I.2R |
| Article no. | 172145 | 175232 |
| Weight kg | 9.10 | 9.10 |
| * inlet ring not included | | |

M-series

for three phase alternating current, 4 pole

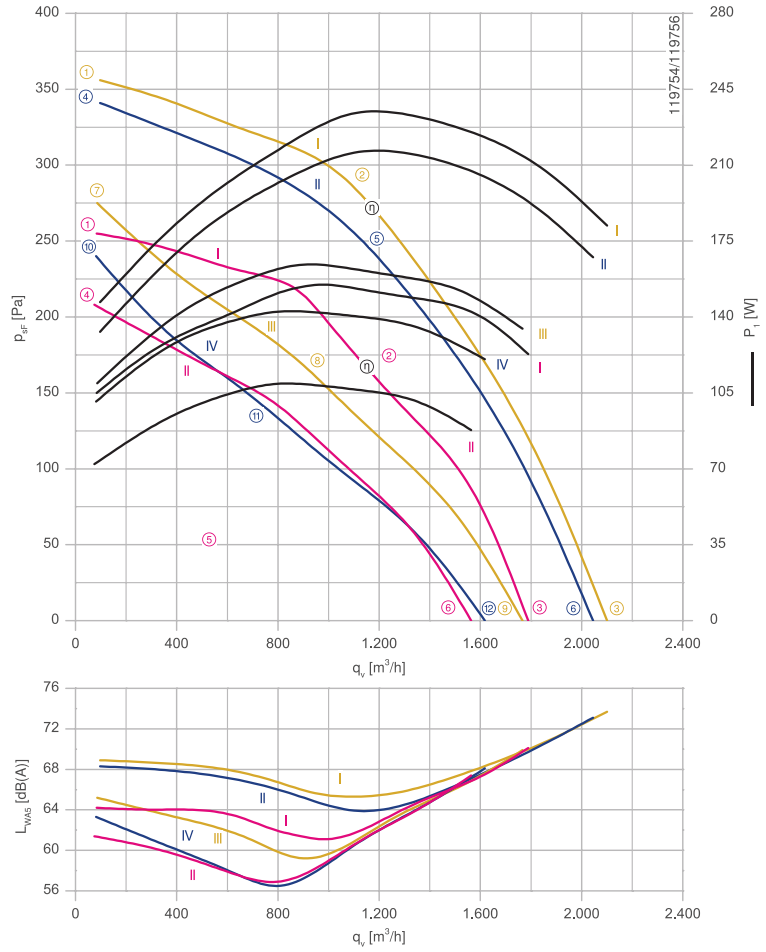
RH31M-4D



Description

Motor technology: AC
 Rated voltage U_N :
 3~ 230/400 V (Δ/Y) | 3~230/400 V (Δ/Y) | 3~265/460 V (Δ/Y) *
 Rated frequency f_N : 50 Hz | 60 Hz | 60 Hz*
 Input power P_i :
 150 W | 220 W | 230 W*
 Rated current I_N :
 0.62/0.36 A | 0.66/0.38 A | 0.68/0.39 A*
 Rated speed n_n :
 1370 min⁻¹ | 1540 min⁻¹ | 1600 min⁻¹*
 Starting current I_s : 2.20/1.20 A | 2,00/1,20 A | 2,40/1,40 A
 Current increase ΔI : 0 % | 5 % | 0 %
 Thermal class: THCL155*
 Min. permitted ambient temperature $t_{R(min)}$: -40 °C
 Max. permitted ambient temperature $t_{R(max)}$:
 70 °C | 70 °C | 70 °C
 Electrical connection: Supply cable side, 105cm
 Degree of protection : IP54Z
 Motor protection: thermal contact
 Impeller : aluminium, unpainted
 Motor: Aluminium, 1 coat paint, pebble grey
 Conformity: CE
 * Rated data

Characteristic curve

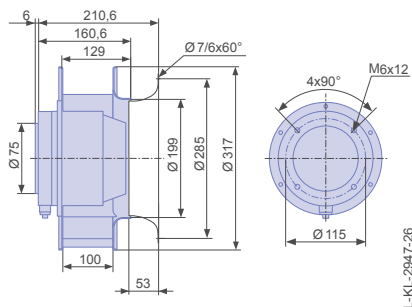


Measured with inlet ring, without guard grille according to ISO 5801

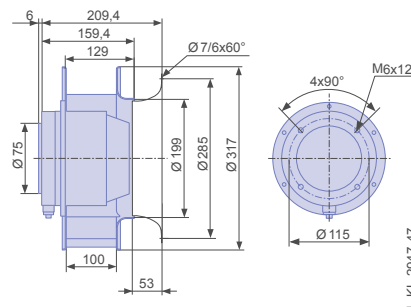
| | | | |
|--------------------|------------|---------------|----------|
| Inlet ring | 00400327 | RAL 7032 | Page 303 |
| | | (pebble grey) | |
| Inlet ring | 00279152 | unpainted | |
| Connection diagram | 1360-106XA | | Page 327 |

Dimensions mm

Free-running motorized impeller RH
in installation position H/Vu



Free-running motorized impeller RH
in installation position H/Vo



Performance data

| Type | Characteristic curve | Voltage | Frequency | Operating point | Current | Input power | Speed | Suction side sound power level L_{WA5} dB(A) |
|-----------------|----------------------|---------|-----------|-----------------|---------|-------------|------------------------|--|
| | | U V | f Hz | | I A | P_1 W | n min ⁻¹ | |
| RH31M-4DK.2C.1R | I | 400 | 50 | ① | 0.33 | 110 | 1430 | 64 |
| | | 400* | | ② | 0.36* | 150* | 1370* | 61 |
| | | 400 | | ③ | 0.34 | 120 | 1410 | 70 |
| | II | 230 | | ④ | 0.23 | 70 | 1290 | 61 |
| | | 230 | | ⑤ | 0.31 | 110 | 1140 | 57 |
| | | 230 | | ⑥ | 0.26 | 90 | 1230 | 67 |
| | I | 460 | 60 | ① | 0.32 | 150 | 1690 | 69 |
| | | 460* | | ② | 0.39* | 230* | 1600* | 65 |
| | | 460 | | ③ | 0.35 | 180 | 1650 | 74 |
| | II | 400 | | ④ | 0.29 | 130 | 1650 | 68 |
| | | 400* | | ⑤ | 0.38* | 220* | 1540* | 64 |
| | | 400 | | ⑥ | 0.32 | 170 | 1610 | 73 |
| | III | 265 | ⑦ | 0.28 | 110 | 1490 | 65 | |
| | | 265 | ⑧ | 0.39 | 160 | 1250 | 59 | |
| | | 265 | ⑨ | 0.33 | 130 | 1390 | 70 | |
| | IV | 230 | ⑩ | 0.28 | 100 | 1380 | 63 | |
| | | 230 | ⑪ | 0.39 | 140 | 1120 | 57 | |
| | | 230 | ⑫ | 0.33 | 120 | 1280 | 68 | |

*rated data

Fan ordering information

| | | |
|---------------------------|--|--|
| Design | RH* | RH* |
| Installation position | H/Vu | H/Vo |
| |  |  |
| Type | RH31M-4DK.2C.1R | RH31M-4DK.2C.1R |
| Article no. | 172146 | 175233 |
| Weight kg | 4.00 | 4.00 |
| * inlet ring not included | | |

M-series

for three phase alternating current, 2 pole

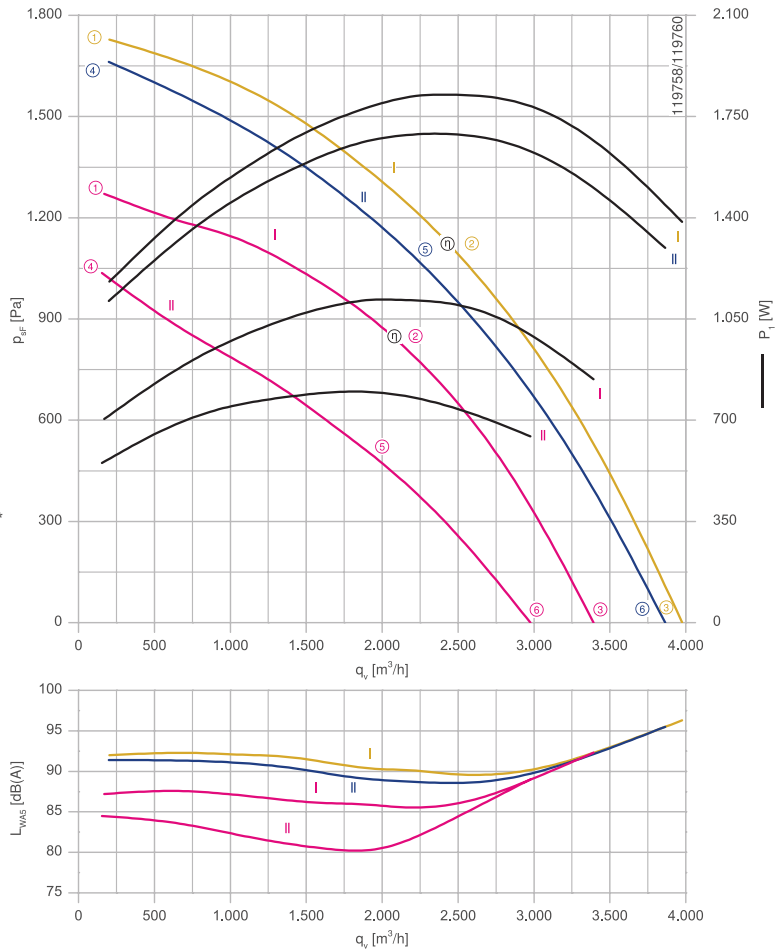
RH35M-2D



Description

Motor technology: AC
 Rated voltage U_N :
 3- 230/400 V (Δ/Y) | 3-230/400 V (Δ/Y) | 3-265/460 V (Δ/Y) *
 Rated frequency f_N : 50 Hz | 60 Hz | 60 Hz*
 Input power P_i :
 1.10 kW | 1.70 kW | 1.85 kW*
 Rated current I_N :
 4.00/2.30 A | 5.00/2.90 A | 4.80/2.80 A*
 Rated speed n_n :
 2760 min⁻¹ | 3060 min⁻¹ | 3190 min⁻¹*
 Starting current I_A : 18,00/10,00 A | 16,00/9,00 A | 19,00/11,00 A
 Current increase ΔI : 0 %
 Thermal class: THCL155*
 Min. permitted ambient temperature $t_{R(min)}$: -40 °C
 Max. permitted ambient temperature $t_{R(max)}$:
 70 °C | 55 °C | 55 °C
 Electrical connection: Supply cable side, 105cm
 Degree of protection : IP54
 Motor protection: thermal contact
 Impeller : aluminium, unpainted
 Motor: Aluminium, 1 coat paint, pebble grey
 Conformity: CE
 * Rated data

Characteristic curve

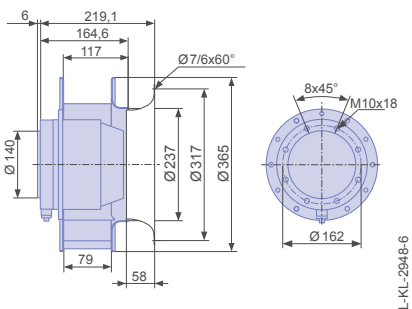


Measured with inlet ring, without guard grille according to ISO 5801
 Not 60Hz voltage controllable fan.

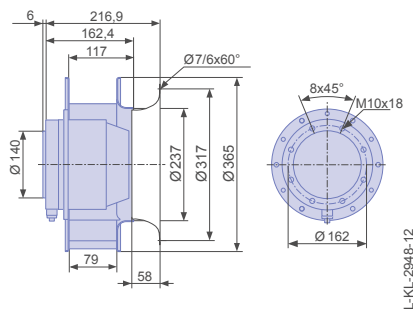
| | | | |
|--------------------|------------|---------------|----------|
| Inlet ring | 00402617 | RAL 7032 | Page 303 |
| | | (pebble grey) | |
| Inlet ring | 00275850 | unpainted | |
| Connection diagram | 1360-106XA | | Page 327 |

Dimensions mm

Free-running motorized impeller RH
in installation position H/Vu



Free-running motorized impeller RH
in installation position H/Vo




Performance data

| Type | Characteristic curve | Voltage | Frequency | Operating point | Current | Input power | Speed | Suction side sound power level L_{WAS} dB(A) |
|-----------------|----------------------|---------|-----------|-----------------|---------|-------------|------------------------|--|
| | | U V | f Hz | | I A | P_1 W | n min ⁻¹ | |
| RH35M-2DK.6F.2R | I | 400 | 50 | ① | 1.85 | 700 | 2860 | 87 |
| | | 400* | | ② | 2.30* | 1100* | 2760* | 86 |
| | | 400 | | ③ | 2.00 | 840 | 2830 | 92 |
| | | 230 | | ④ | 1.60 | 560 | 2580 | 85 |
| | | 230 | | ⑤ | 2.30 | 800 | 2280 | 80 |
| | | 230 | | ⑥ | 1.90 | 640 | 2490 | 89 |
| | I | 460 | 60 | ① | 2.10 | 1200 | 3370 | 92 |
| | | 460* | | ② | 2.80* | 1850* | 3190* | 90 |
| | | 460 | | ③ | 2.30 | 1400 | 3330 | 96 |
| | | 400 | | ④ | 2.00 | 1100 | 3300 | 91 |
| | | 400* | | ⑤ | 2.90* | 1700* | 3060* | 89 |
| | | 400 | | ⑥ | 2.30 | 1300 | 3230 | 96 |
| | II | 400 | 50 | ① | 1.85 | 700 | 2860 | 87 |
| | | 400* | | ② | 2.30* | 1100* | 2760* | 86 |
| | | 400 | | ③ | 2.00 | 840 | 2830 | 92 |
| | | 230 | | ④ | 1.60 | 560 | 2580 | 85 |
| | | 230 | | ⑤ | 2.30 | 800 | 2280 | 80 |
| | | 230 | | ⑥ | 1.90 | 640 | 2490 | 89 |

*rated data

Fan ordering information

| | | |
|---------------------------|---|---|
| Design | RH* | RH* |
| Installation position | H/Vu | H/Vo |
| |  |  |
| Type | RH35M-2DK.6F.2R | RH35M-2DK.6F.2R |
| Article no. | 172147 | 175234 |
| Weight kg | 14.10 | 14.10 |
| * inlet ring not included | | |

Information

ZArail

Cpro-ECblue

C-ECblue

C series

N series

M series

FE2owlet

M-series

for three phase alternating current, 2 pole

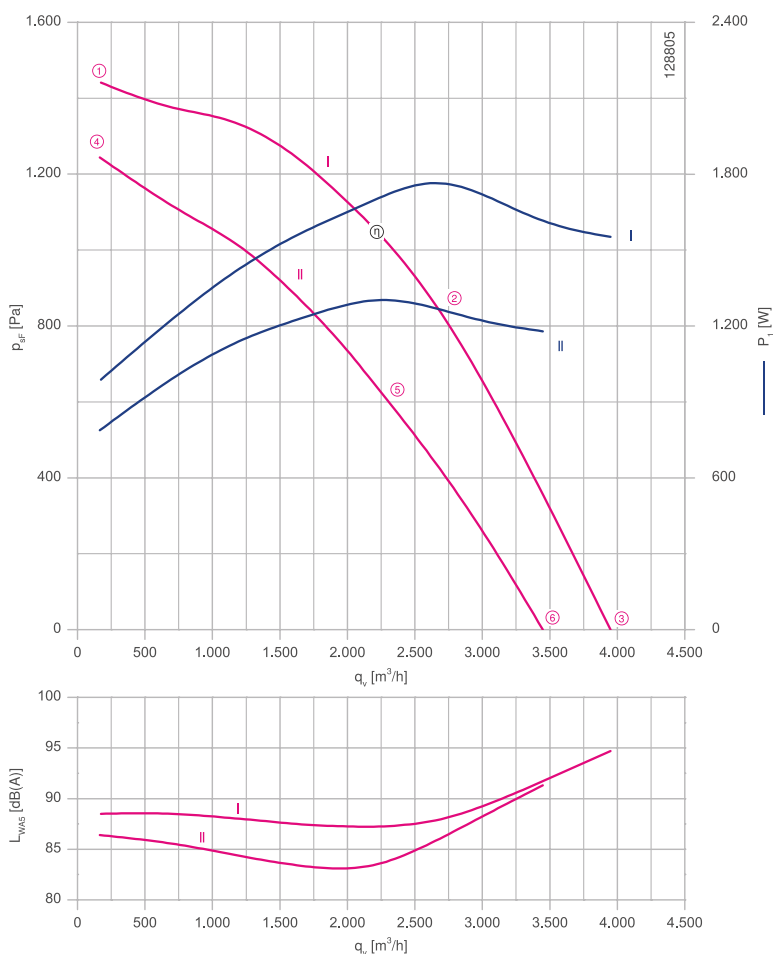
RH35M-2D



Description

Motor technology: AC
 Rated voltage U_N : 3~ 230/400 V (Δ/Y)*
 Rated frequency f_N : 50 Hz*
 Input power P_i : 1.75 kW*
 Rated current I_N : 6.00/3.50 A*
 Rated speed n_N : 2790 min⁻¹*
 Starting current I_s : 30,00/17,00 A
 Thermal class: THCL155*
 Min. permitted ambient temperature $t_{R(min)}$: -40 °C
 Max. permitted ambient temperature $t_{R(max)}$: 70 °C
 Electrical connection: Supply cable side, 105cm
 Degree of protection : IP54
 Motor protection: thermal contact
 Impeller : aluminium, unpainted
 Motor: Aluminium, 1 coat paint, pebble grey
 Conformity: CE
 * Rated data

Characteristic curve

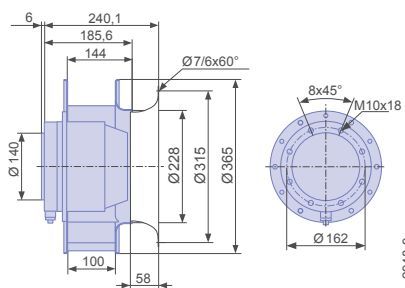


Measured with inlet ring, without guard grille according to ISO 5801

| | | | |
|--------------------|------------|---------------|----------|
| Inlet ring | 00402617 | RAL 7032 | Page 303 |
| | | (pebble grey) | |
| Inlet ring | 00275850 | unpainted | |
| Connection diagram | 1360-106XA | | Page 327 |

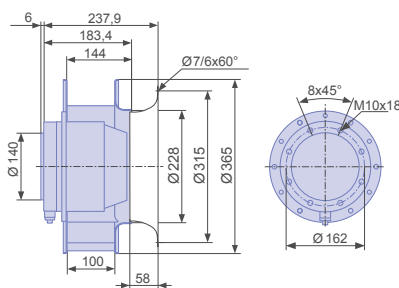
Dimensions mm

Free-running motorized impeller RH
in installation position H/Vu



L-KL-2948-9

Free-running motorized impeller RH
in installation position H/Vo



L-KL-2948-13



Performance data

| Type | Characteristic curve | Voltage | Operating point | Current | Input power | Speed | Suction side sound power level L_{WAS} dB(A) |
|-----------------|----------------------|---------|-----------------|---------|-------------|------------------------|--|
| | | U V | | I A | P_1 W | n min ⁻¹ | |
| RH35M-2DK.6K.3R | I | 400 | ① | 2.60 | 980 | 2890 | 89 |
| | | 400* | ② | 3.50* | 1750* | 2790* | 88 |
| | | 400 | ③ | 3.20 | 1550 | 2820 | 95 |
| | II | 230 | ④ | 2.20 | 780 | 2690 | 86 |
| | | 230 | ⑤ | 3.60 | 1300 | 2380 | 84 |
| | | 230 | ⑥ | 3.30 | 1200 | 2470 | 91 |

*rated data

Fan ordering information

| | | |
|---------------------------|---|---|
| Design | RH* | RH* |
| Installation position | H/Vu | H/Vo |
| |  |  |
| Type | RH35M-2DK.6K.3R | RH35M-2DK.6K.3R |
| Article no. | 172148 | 175235 |
| Weight kg | 17.90 | 17.90 |
| * inlet ring not included | | |

Information

ZArail

Cpro-ECblue

C-ECblue

C series

N series

M series

FE2owlet

M-series

for three phase alternating current, 4 pole

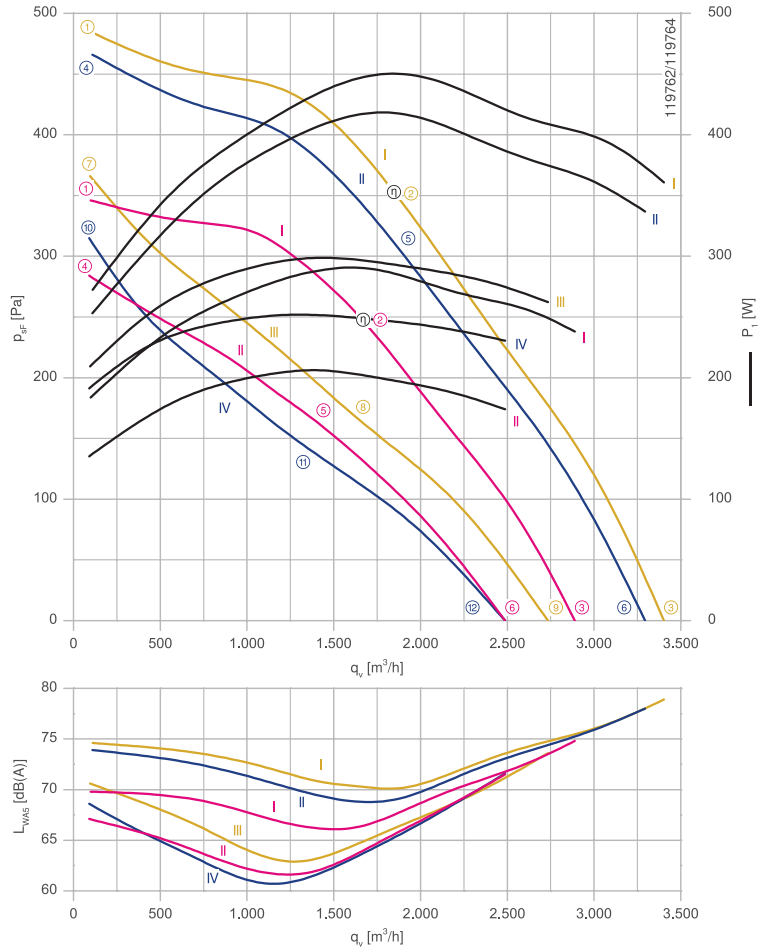
RH35M-4D



Description

Motor technology: AC
 Rated voltage U_N :
 3~ 230/400 V (Δ/Y) | 3-230/400 V (Δ/Y) | 3-265/460 V (Δ/Y) *
 Rated frequency f_N : 50 Hz | 60 Hz | 60 Hz*
 Input power P_i :
 290 W | 420 W | 460 W*
 Rated current I_N :
 1.20/0.68 A | 1.30/0.76 A | 1.35/0.78 A*
 Rated speed n_n :
 1360 min⁻¹ | 1520 min⁻¹ | 1590 min⁻¹*
 Starting current I_A : 4.00/2.40 A | 3.60/2.20 A | 4.40/2.40 A
 Current increase ΔI : 0 % | 5 % | 0 %
 Thermal class: THCL155*
 Min. permitted ambient temperature $t_{R(min)}$: -40 °C
 Max. permitted ambient temperature $t_{R(max)}$:
 80 °C | 70 °C | 70 °C
 Electrical connection: Supply cable side, 105cm
 Degree of protection : IP54
 Motor protection: thermal contact
 Impeller : aluminium, unpainted
 Motor: Aluminium, 1 coat paint, pebble grey
 Conformity: CE
 * Rated data

Characteristic curve

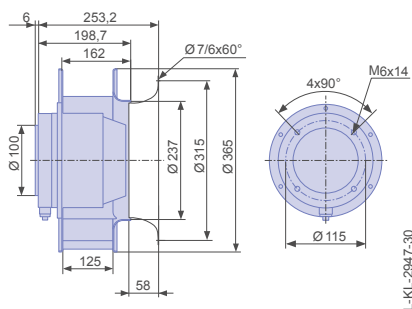


Measured with inlet ring, without guard grille according to ISO 5801

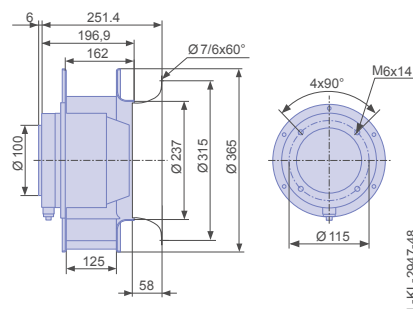
| | | | |
|--------------------|------------|---------------|----------|
| Inlet ring | 00402617 | RAL 7032 | Page 303 |
| | | (pebble grey) | |
| Inlet ring | 00275850 | unpainted | |
| Connection diagram | 1360-106XA | | Page 327 |

Dimensions mm

Free-running motorized impeller RH in installation position H/Vu



Free-running motorized impeller RH in installation position H/Vo

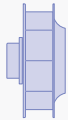


Performance data

| Type | Characteristic curve | Voltage | Frequency | Operating point | Current | Input power | Speed | Suction side sound power level |
|-----------------|----------------------|---------|-----------|-----------------|---------|---------------------|------------------------|--------------------------------|
| | | U V | f Hz | | I A | P ₁ W | n min ⁻¹ | L _{WA5} dB(A) |
| RH35M-4DK.4C.1R | I | 400 | 50 | ① | 0.60 | 180 | 1420 | 70 |
| | | 400* | | ② | 0.68* | 290* | 1360* | 66 |
| | | 400 | | ③ | 0.66 | 240 | 1400 | 75 |
| | II | 230 | | ④ | 0.44 | 140 | 1290 | 67 |
| | | 230 | | ⑤ | 0.62 | 210 | 1130 | 62 |
| | | 230 | | ⑥ | 0.52 | 170 | 1210 | 72 |
| | I | 460 | 60 | ① | 0.60 | 270 | 1690 | 75 |
| | | 460* | | ② | 0.78* | 460* | 1590* | 70 |
| | | 460 | | ③ | 0.68 | 360 | 1640 | 79 |
| | II | 400 | | ④ | 0.54 | 250 | 1660 | 74 |
| | | 400* | | ⑤ | 0.76* | 420* | 1520* | 69 |
| | | 400 | | ⑥ | 0.64 | 340 | 1590 | 78 |
| | III | 265 | ⑦ | 0.56 | 210 | 1460 | 71 | |
| | | 265 | ⑧ | 0.78 | 300 | 1200 | 64 | |
| | | 265 | ⑨ | 0.68 | 260 | 1320 | 74 | |
| | IV | 230 | ⑩ | 0.58 | 190 | 1360 | 69 | |
| | | 230 | ⑪ | 0.78 | 250 | 1070 | 62 | |
| | | 230 | ⑫ | 0.70 | 230 | 1210 | 72 | |

*rated data

Fan ordering information

| | | |
|---------------------------|--|--|
| Design | RH* | RH* |
| Installation position | H/Vu | H/Vo |
| |  |  |
| Type | RH35M-4DK.4C.1R | RH35M-4DK.4C.1R |
| Article no. | 172149 | 175236 |
| Weight kg | 6.30 | 6.30 |
| * inlet ring not included | | |

M-series

for three phase alternating current, 4 pole

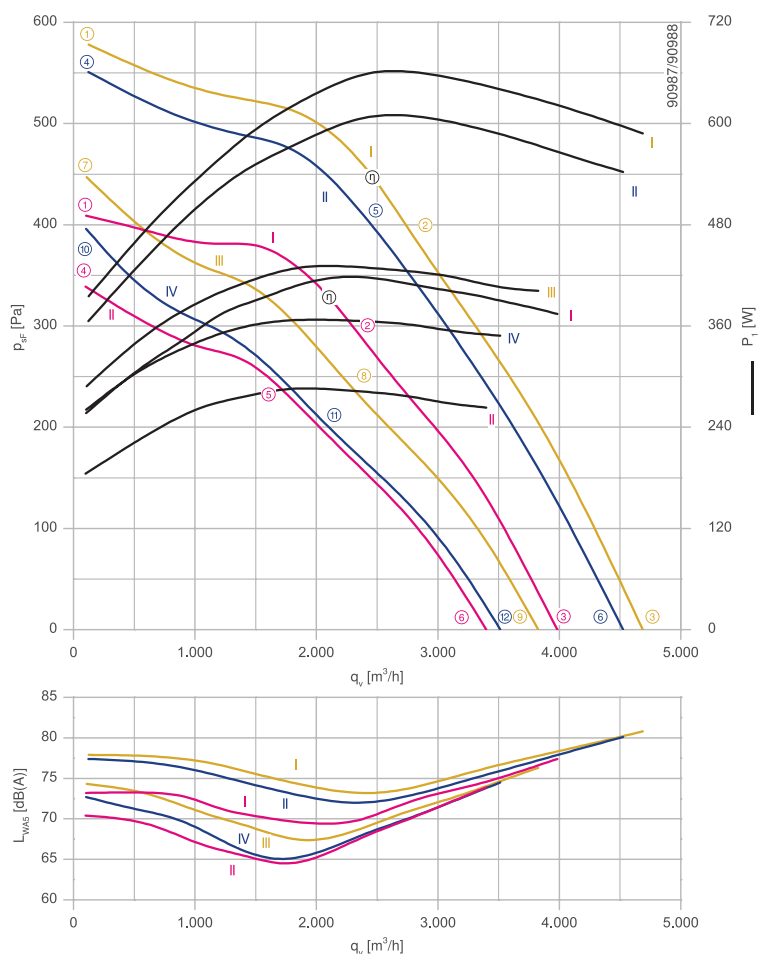
RH40M-4D



Description

Motor technology: AC
 Rated voltage U_N :
 3~ 230/400 V (Δ/Y) | 3~230/400 V (Δ/Y) | 3~265/460 V (Δ/Y) *
 Rated frequency f_N : 50 Hz | 60 Hz | 60 Hz*
 Input power P_i :
 420 W | 600 W | 660 W*
 Rated current I_N :
 1.80/1.05 A | 2.00/1.15 A | 2.10/1.20 A*
 Rated speed n_n :
 1350 min⁻¹ | 1510 min⁻¹ | 1570 min⁻¹*
 Starting current I_A : 7.50/4.20 A | 7,00/4,00 A | 8,00/4,60 A
 Current increase ΔI : 0 % | 0 % | 0 %
 Thermal class: THCL155*
 Min. permitted ambient temperature $t_{R(min)}$: -40 °C
 Max. permitted ambient temperature $t_{R(max)}$:
 70 °C | 70 °C | 70 °C
 Electrical connection: Supply cable side, 105cm
 Degree of protection : IP54
 Motor protection: thermal contact
 Impeller : aluminium, unpainted
 Motor: Aluminium, 1 coat paint, pebble grey
 Conformity: CE
 * Rated data

Characteristic curve

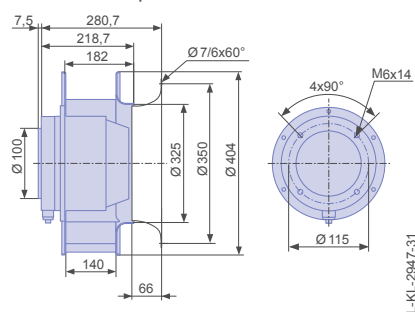


Measured with inlet ring, without guard grille according to ISO 5801

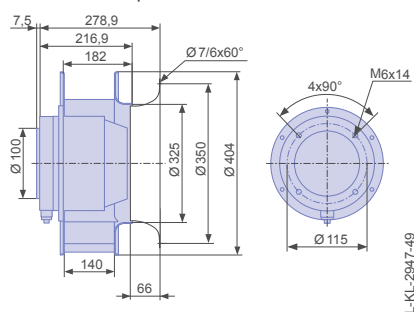
| | | | |
|--------------------|------------|---------------|----------|
| Inlet ring | 00279265 | RAL 7032 | Page 303 |
| | | (pebble grey) | |
| Inlet ring | 00275570 | unpainted | |
| Connection diagram | 1360-106XA | | Page 327 |

Dimensions mm

Free-running motorized impeller RH
in installation position H/Vu



Free-running motorized impeller RH
in installation position H/Vo

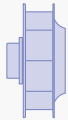



Performance data

| Type | Characteristic curve | Voltage | Frequency | Operating point | Current | Input power | Speed | Suction side sound power level |
|-----------------|----------------------|---------|-----------|-----------------|---------|---------------------|------------------------|--------------------------------|
| | | U V | f Hz | | I A | P ₁ W | n min ⁻¹ | L _{WA5} dB(A) |
| RH40M-4DK.4I.1R | I | 400 | 50 | ① | 0.94 | 260 | 1420 | 73 |
| | | 400* | | ② | 1.05* | 420* | 1350* | 70 |
| | | 400 | | ③ | 1.00 | 370 | 1360 | 77 |
| | II | 230 | | ④ | 0.64 | 180 | 1280 | 70 |
| | | 230 | | ⑤ | 0.88 | 290 | 1130 | 65 |
| | | 230 | | ⑥ | 0.82 | 260 | 1170 | 74 |
| | I | 460 | 60 | ① | 0.94 | 400 | 1680 | 78 |
| | | 460* | | ② | 1.20* | 660* | 1570* | 74 |
| | | 460 | | ③ | 1.10 | 580 | 1600 | 81 |
| | II | 400 | | ④ | 0.86 | 370 | 1650 | 77 |
| | | 400* | | ⑤ | 1.15* | 600* | 1510* | 72 |
| | | 400 | | ⑥ | 1.05 | 540 | 1540 | 80 |
| | III | 265 | ⑦ | 0.78 | 290 | 1470 | 74 | |
| | | 265 | ⑧ | 1.10 | 440 | 1260 | 68 | |
| | | 265 | ⑨ | 1.05 | 400 | 1310 | 76 | |
| | IV | 230 | ⑩ | 0.80 | 260 | 1400 | 73 | |
| | | 230 | ⑪ | 1.10 | 370 | 1150 | 66 | |
| | | 230 | ⑫ | 1.05 | 350 | 1210 | 75 | |

*rated data

Fan ordering information

| | | |
|---------------------------|--|--|
| Design | RH* | RH* |
| Installation position | H/Vu | H/Vo |
| |  |  |
| Type | RH40M-4DK.4I.1R | RH40M-4DK.4I.1R |
| Article no. | 172150 | 175237 |
| Weight kg | 9.70 | 9.70 |
| * inlet ring not included | | |

M-series

for three phase alternating current, 4 pole

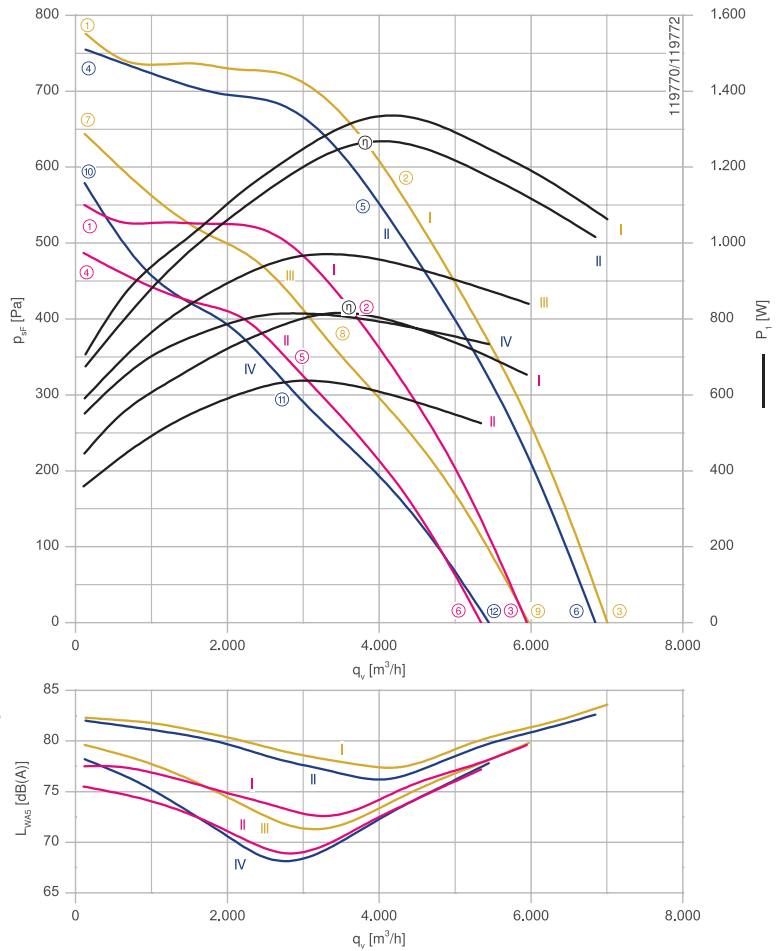
RH45M-4D



Description

Motor technology: AC
 Rated voltage U_N :
 3~ 230/400 V (Δ/Y) | 3~230/400 V (Δ/Y) | 3~265/460 V (Δ/Y) *
 Rated frequency f_N : 50 Hz | 60 Hz | 60 Hz*
 Input power P_i :
 820 W | 1.25 kW | 1.35 kW*
 Rated current I_N :
 3.20/1.85 A | 3.80/2.20 A | 3.80/2.20 A*
 Rated speed n_n :
 1410 min⁻¹ | 1600 min⁻¹ | 1650 min⁻¹*
 Starting current I_A : 16.00/9.50 A | 15.00/8.50 A | 17.00/10.00 A
 Current increase ΔI : 10 % | 15 % | 15 %
 Thermal class: THCL155*
 Min. permitted ambient temperature $t_{R(min)}$: -40 °C
 Max. permitted ambient temperature $t_{R(max)}$:
 70 °C | 40 °C | 40 °C
 Electrical connection: Supply cable side, 105cm
 Degree of protection : IP54
 Motor protection: thermal contact
 Impeller : aluminium, unpainted
 Motor: Aluminium, 1 coat paint, pebble grey
 Conformity: CE
 * Rated data

Characteristic curve

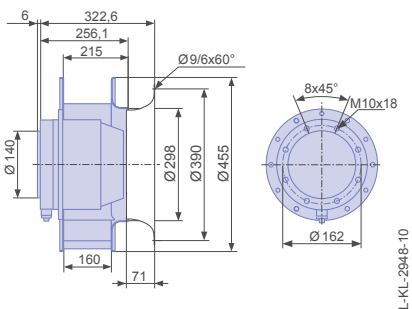


Measured with inlet ring, without guard grille according to ISO 5801

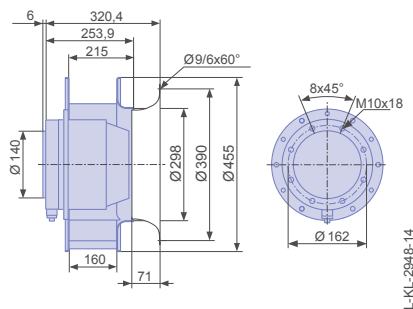
| | | | |
|--------------------|------------|---------------------------|----------|
| Inlet ring | 00400383 | RAL 7032 (pebble grey) | Page 303 |
| Inlet ring | 00275571 | unpainted | |
| Connection diagram | 1360-106XA | | Page 327 |

Dimensions mm

Free-running motorized impeller RH
in installation position H/Vu



Free-running motorized impeller RH
in installation position H/Vo



Performance data

| Type | Characteristic curve | Voltage | Frequency | Operating point | Current | Input power | Speed | Suction side sound power level L_{WA5} dB(A) |
|-----------------|----------------------|---------|-----------|-----------------|---------|-------------|------------------------|--|
| | | U V | f Hz | | I A | P_1 W | n min ⁻¹ | |
| RH45M-4DK.6F.1R | I | 400 | 50 | ① | 1.50 | 440 | 1460 | 78 |
| | | 400* | | ② | 1.85* | 820* | 1410* | 73 |
| | | 400 | | ③ | 1.70 | 660 | 1430 | 80 |
| | II | 230 | | ④ | 1.10 | 360 | 1370 | 76 |
| | | 230 | | ⑤ | 1.85 | 640 | 1230 | 69 |
| | | 230 | | ⑥ | 1.55 | 520 | 1290 | 77 |
| | I | 460 | 60 | ① | 1.50 | 700 | 1730 | 82 |
| | | 460* | | ② | 2.20* | 1350* | 1650* | 77 |
| | | 460 | | ③ | 1.85 | 1050 | 1690 | 84 |
| | II | 400 | | ④ | 1.40 | 680 | 1710 | 82 |
| | | 400* | | ⑤ | 2.20* | 1250* | 1600* | 76 |
| | | 400 | | ⑥ | 1.85 | 1000 | 1650 | 83 |
| | III | 265 | ⑦ | 1.55 | 600 | 1580 | 80 | |
| | | 265 | ⑧ | 2.60 | 980 | 1330 | 71 | |
| | | 265 | ⑨ | 2.20 | 840 | 1440 | 80 | |
| | IV | 230 | ⑩ | 1.65 | 560 | 1500 | 78 | |
| | | 230 | ⑪ | 2.60 | 820 | 1190 | 68 | |
| | | 230 | ⑫ | 2.30 | 740 | 1310 | 78 | |

*rated data

Fan ordering information

| | | |
|---------------------------|--|--|
| Design | RH* | RH* |
| Installation position | H/Vu | H/Vo |
| |  |  |
| Type | RH45M-4DK.6F.1R | RH45M-4DK.6F.1R |
| Article no. | 172151 | 175238 |
| Weight kg | 16.00 | 16.00 |
| * inlet ring not included | | |

M-series

for three phase alternating current, 4 pole

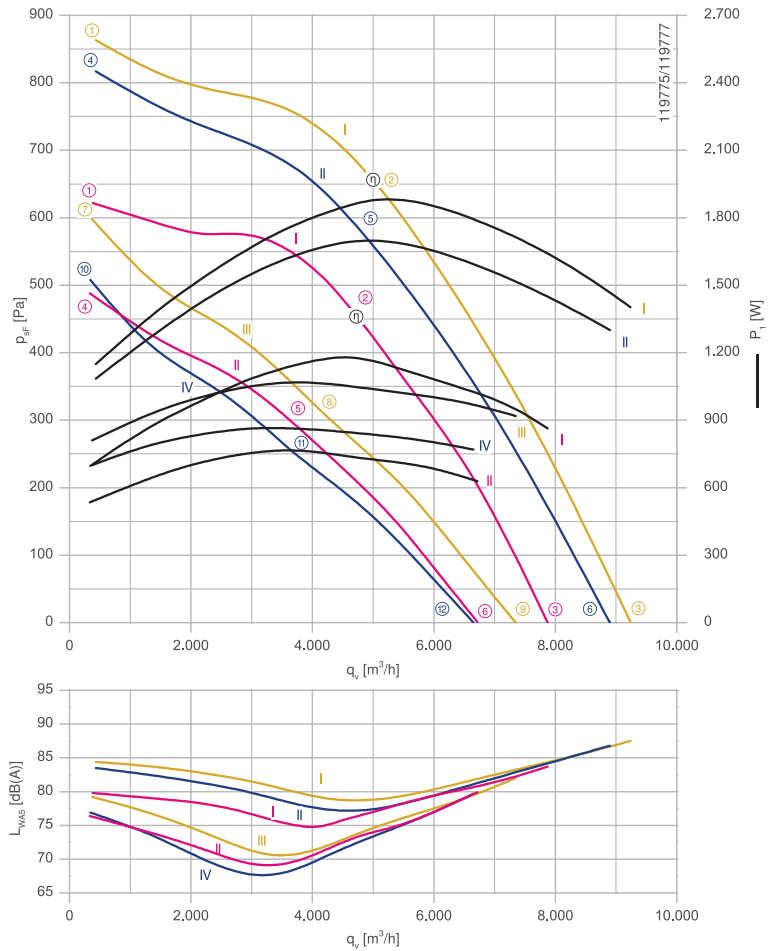
RH50M-4D



Description

Motor technology: AC
 Rated voltage U_N :
 3~ 230/400 V (Δ/Y) | 3~230/400 V (Δ/Y) | 3~265/460 V (Δ/Y) *
 Rated frequency f_N : 50 Hz | 60 Hz | 60 Hz*
 Input power P_i :
 1.20 kW | 1.70 kW | 1.90 kW*
 Rated current I_N :
 4.40/2.50 A | 5.40/3.10 A | 5.40/3.10 A*
 Rated speed n_n :
 1350 min⁻¹ | 1470 min⁻¹ | 1550 min⁻¹*
 Starting current I_A : 18,00/10,00 A | 16,00/9,00 A | 19,00/11,00 A
 Current increase ΔI : 0 % | 0 % | 0 %
 Thermal class: THCL155*
 Min. permitted ambient temperature $t_{R(min)}$: -40 °C
 Max. permitted ambient temperature $t_{R(max)}$:
 70 °C | 65 °C | 65 °C
 Electrical connection: Supply cable side, 105cm
 Degree of protection : IP54
 Motor protection: thermal contact
 Impeller : aluminium, unpainted
 Motor: Aluminium, 1 coat paint, pebble grey
 Conformity: CE
 * Rated data

Characteristic curve

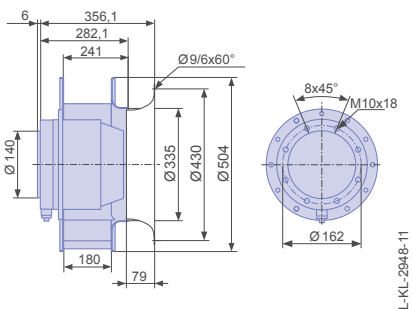


Measured with inlet ring, without guard grille according to ISO 5801

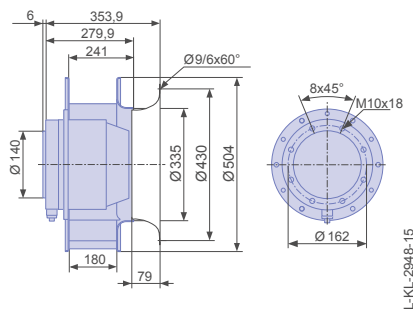
| | | | |
|--------------------|------------|---------------|----------|
| Inlet ring | 00358610 | RAL 7032 | Page 303 |
| | | (pebble grey) | |
| Inlet ring | 00275572 | unpainted | |
| Connection diagram | 1360-106XA | | Page 327 |

Dimensions mm

Free-running motorized impeller RH
in installation position H/Vu



Free-running motorized impeller RH
in installation position H/Vo



Performance data

| Type | Characteristic curve | Voltage | Frequency | Operating point | Current | Input power | Speed | Suction side sound power level L_{WA5} dB(A) |
|-----------------|----------------------|---------|-----------|-----------------|---------|-------------|------------------------|--|
| | | U V | f Hz | | I A | P_1 W | n min ⁻¹ | |
| RH50M-4DK.6K.1R | I | 400 | 50 | ① | 1.90 | 700 | 1420 | 80 |
| | | 400* | | ② | 2.50* | 1200* | 1350* | 76 |
| | | 400 | | ③ | 2.10 | 860 | 1400 | 84 |
| | II | 230 | | ④ | 1.70 | 540 | 1250 | 76 |
| | | 230 | | ⑤ | 2.40 | 760 | 1070 | 69 |
| | | 230 | | ⑥ | 2.00 | 620 | 1190 | 80 |
| | I | 460 | 60 | ① | 2.20 | 1150 | 1670 | 84 |
| | | 460* | | ② | 3.10* | 1900* | 1550* | 79 |
| | | 460 | | ③ | 2.50 | 1400 | 1630 | 88 |
| | II | 400 | | ④ | 2.10 | 1100 | 1630 | 84 |
| | | 400* | | ⑤ | 3.10* | 1700* | 1470* | 77 |
| | | 400 | | ⑥ | 2.50 | 1300 | 1570 | 87 |
| III | 265 | ⑦ | 2.20 | 820 | 1390 | 79 | | |
| | 265 | ⑧ | 2.90 | 1050 | 1140 | 72 | | |
| | 265 | ⑨ | 2.50 | 920 | 1300 | 82 | | |
| IV | 230 | ⑩ | 2.20 | 700 | 1290 | 77 | | |
| | 230 | ⑪ | 2.80 | 860 | 1030 | 68 | | |
| | 230 | ⑫ | 2.40 | 760 | 1180 | 80 | | |

*rated data

Fan ordering information

| | | |
|---------------------------|--|--|
| Design | RH* | RH* |
| Installation position | H/Vu | H/Vo |
| |  |  |
| Type | RH50M-4DK.6K.1R | RH50M-4DK.6K.1R |
| Article no. | 172152 | 175239 |
| Weight kg | 20.80 | 20.80 |
| * inlet ring not included | | |

M-series

for three phase alternating current, 4 pole

RH56M-4D



Description

Motor technology: AC

Rated voltage U_N :

3~ 230/400 V (Δ/Y) | 3~230/400 V (Δ/Y) | 3~265/460 V (Δ/Y) *

Rated frequency f_N : 50 Hz | 60 Hz | 60 Hz*

Input power P_i :

2.10 kW | 3.20 kW | 3.40 kW*

Rated current I_N :

7.00/4.00 A | 9.00/5.20 A | 9.00/5.20 A*

Rated speed n_n :

1370 min⁻¹ | 1530 min⁻¹ | 1590 min⁻¹*

Starting current I_A : 38.00/22.00 A | 34.00/20.00 A | 40.00/24.00 A

Current increase ΔI : 10 % | 10 % | 10 %

Thermal class: THCL155*

Min. permitted ambient temperature $t_{R(min)}$: -20 °C

Max. permitted ambient temperature $t_{R(max)}$:

70 °C | 50 °C | 50 °C

Electrical connection: Supply cable side, 105cm

Degree of protection : IP54

Motor protection: thermal contact

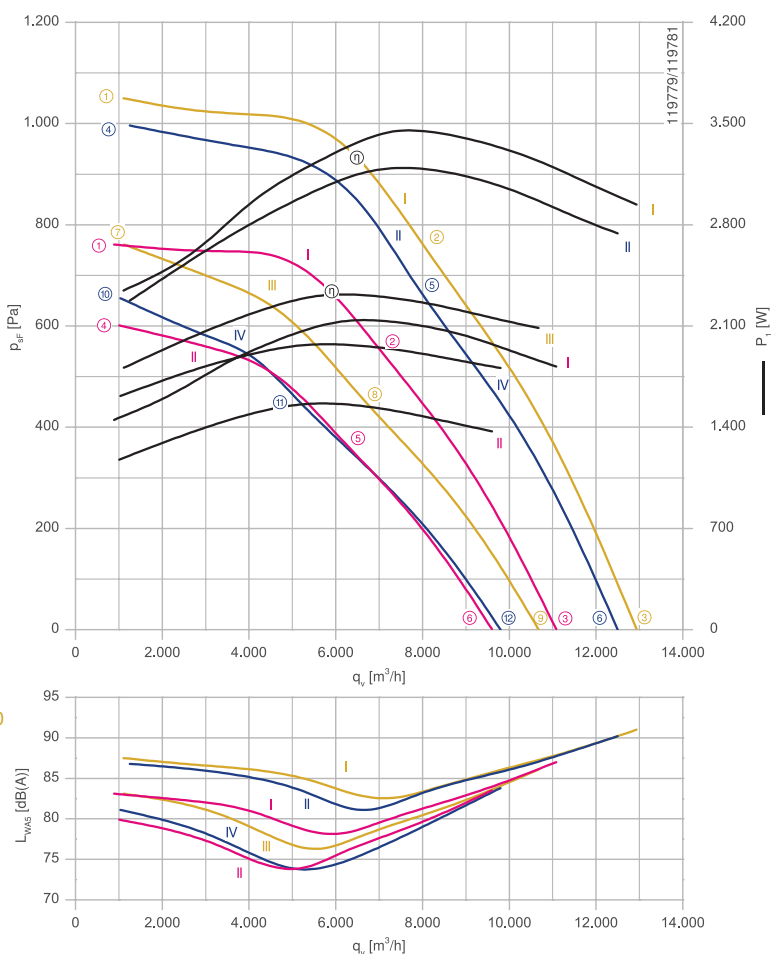
Impeller : bright sheet metal blue chromated, unpainted

Motor: Aluminium, 1 coat paint, pebble grey

Conformity: CE

* Rated data

Characteristic curve

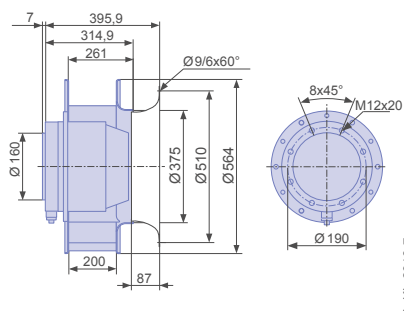


Measured with inlet ring, without guard grille according to ISO 5801

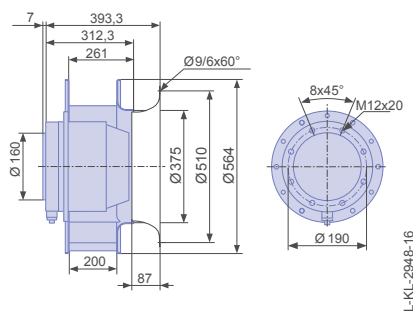
| | | | |
|--------------------|------------|---------------|----------|
| Inlet ring | 00602372 | RAL 7032 | Page 303 |
| | | (pebble grey) | |
| Inlet ring | 00278489 | unpainted | |
| Connection diagram | 1360-106XA | | Page 327 |

Dimensions mm

Free-running motorized impeller RH
in installation position H/Vu



Free-running motorized impeller RH
in installation position H/Vo

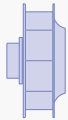



Performance data

| Type | Characteristic curve | Voltage | Frequency | Operating point | Current | Input power | Speed | Suction side sound power level L_{WA5} dB(A) |
|-----------------|----------------------|---------|-----------|-----------------|---------|-------------|------------------------|--|
| | | U V | f Hz | | I A | P_1 W | n min ⁻¹ | |
| RH56M-4DK.7M.1R | I | 400 | 50 | ① | 3.20 | 1450 | 1420 | 83 |
| | | 400* | | ② | 4.00* | 2100* | 1370* | 79 |
| | | 400 | | ③ | 3.60 | 1800 | 1390 | 87 |
| | II | 230 | | ④ | 3.30 | 1200 | 1270 | 80 |
| | | 230 | | ⑤ | 4.40 | 1550 | 1160 | 76 |
| | | 230 | | ⑥ | 3.90 | 1350 | 1210 | 84 |
| | I | 460 | 60 | ① | 3.80 | 2300 | 1670 | 88 |
| | | 460* | | ② | 5.20* | 3400* | 1590* | 83 |
| | | 460 | | ③ | 4.40 | 2900 | 1630 | 91 |
| | II | 400 | | ④ | 3.90 | 2300 | 1630 | 87 |
| | | 400* | | ⑤ | 5.20* | 3200* | 1530* | 83 |
| | | 400 | | ⑥ | 4.60 | 2700 | 1580 | 90 |
| | III | 265 | ⑦ | 4.40 | 1800 | 1430 | 83 | |
| | | 265 | ⑧ | 5.60 | 2300 | 1270 | 78 | |
| | | 265 | ⑨ | 5.00 | 2100 | 1340 | 86 | |
| | IV | 230 | ⑩ | 4.60 | 1600 | 1310 | 81 | |
| | | 230 | ⑪ | 5.60 | 1950 | 1150 | 74 | |
| | | 230 | ⑫ | 5.00 | 1800 | 1230 | 84 | |

*rated data

Fan ordering information

| | | |
|---------------------------|--|--|
| Design | RH* | RH* |
| Installation position | H/Vu | H/Vo |
| |  |  |
| Type | RH56M-4DK.7M.1R | RH56M-4DK.7M.1R |
| Article no. | 172153 | 175240 |
| Weight kg | 41.00 | 41.00 |
| * inlet ring not included | | |

M-series

for three phase alternating current, 4 pole

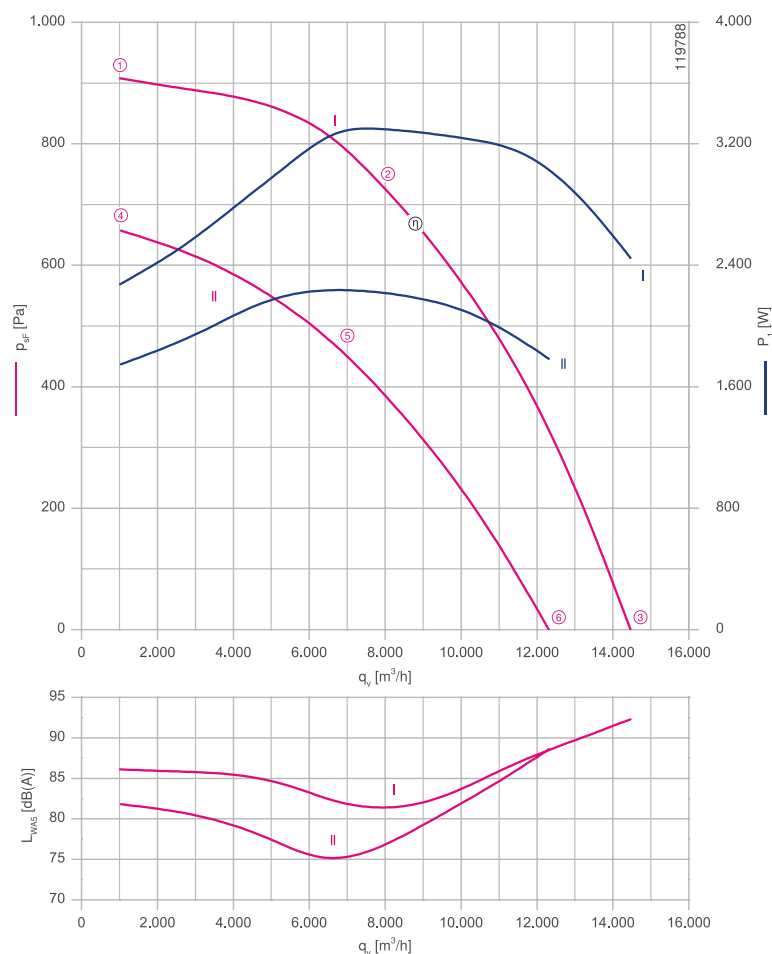
RH63M-4D



Description

Motor technology: AC
 Rated voltage U_N :
3~ 230/400 V (Δ/Y)*
 Rated frequency f_N : **50 Hz***
 Input power P_i :
3.30 kW*
 Rated current I_N :
10.00/5.80 A*
 Rated speed n_N :
1330 min⁻¹*
 Starting current I_A : **46,00/26,00 A**
 Current increase ΔI : **5 %**
 Thermal class: THCL155*
 Min. permitted ambient temperature $t_{R(min)}$: **-20 °C**
 Max. permitted ambient temperature $t_{R(max)}$:
70 °C
 Electrical connection: Supply cable side, 105cm
 Degree of protection : IP54
 Motor protection: thermal contact
 Impeller : bright sheet metal, blue chromated, unpainted
 Motor: Aluminium, 1 coat paint, pebble grey
 Conformity: CE
 * Rated data

Characteristic curve

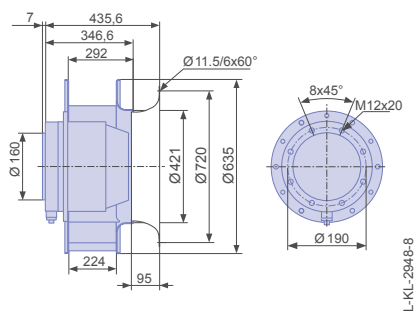


Measured with inlet ring, without guard grille according to ISO 5801

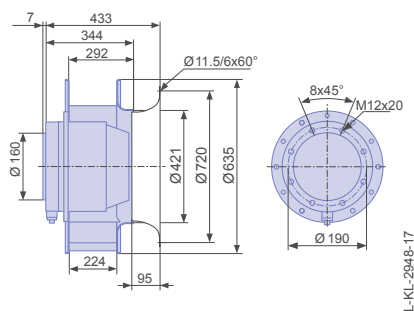
| | | | |
|--------------------|------------|---------------|----------|
| Inlet ring | 00348113 | RAL 7032 | Page 303 |
| | | (pebble grey) | |
| Inlet ring | 00279305 | unpainted | |
| Connection diagram | 1360-106XA | | Page 327 |

Dimensions mm

Free-running motorized impeller RH
in installation position H/Vu



Free-running motorized impeller RH
in installation position H/Vo



Performance data

| Type | Characteristic curve | Voltage | Operating point | Current | Input power | Speed | Suction side sound power level L_{WAS} dB(A) |
|-----------------|----------------------|---------|-----------------|---------|-------------|------------------------|--|
| | | U V | | I A | P_1 W | n min ⁻¹ | |
| RH63M-4DK.7Q.1R | I | 400 | ① | 4.40 | 2300 | 1390 | 86 |
| | | 400* | ② | 5.80* | 3300* | 1330* | 81 |
| | | 400 | ③ | 4.60 | 2400 | 1380 | 92 |
| | II | 230 | ④ | 4.80 | 1750 | 1190 | 82 |
| | | 230 | ⑤ | 6.20 | 2200 | 1070 | 75 |
| | | 230 | ⑥ | 5.00 | 1800 | 1180 | 89 |

*rated data

Fan ordering information

| | | |
|---------------------------|---|---|
| Design | RH* | RH* |
| Installation position | H/Vu | H/Vo |
| |  |  |
| Type | RH63M-4DK.7Q.1R | RH63M-4DK.7Q.1R |
| Article no. | 172154 | 175241 |
| Weight kg | 54.00 | 54.00 |
| * inlet ring not included | | |

Information

ZArail

Cpro-ECblue

C-ECblue

C series

N series

M series

FE2owlet





FE2owlet

AC technology

Product overview

| | |
|-----------------|----------|
| Quick selection | Page 246 |
| Size 315 | Page 248 |
| Size 350 | Page 250 |
| Size 400 | Page 252 |
| Size 450 | Page 254 |
| Size 500 | Page 256 |
| Size 560 | Page 258 |
| Size 630 | Page 264 |
| Size 710 | Page 268 |
| Size 800 | Page 270 |

Information

ZArail

Cpro-ECblue

C-ECblue

C series

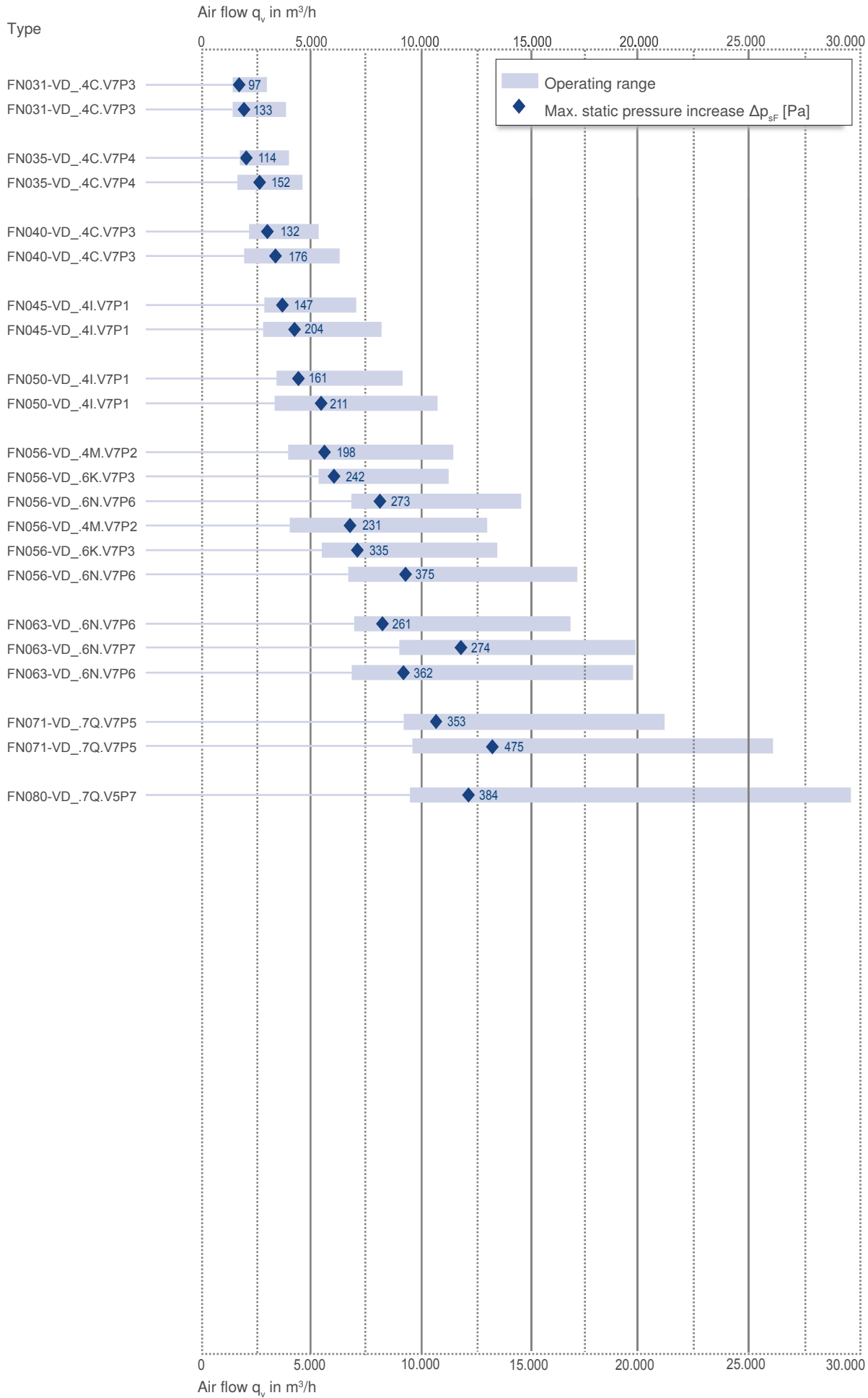
N series

M series

FE2owlet

| Size | Frequency | Voltage | Number of poles | Type | Airflow direction | Page |
|------|-----------|-------------|-----------------|------------------|-------------------|------|
| 310 | 50 Hz | 3~ 400V | 4-4 | FN031-VD_4C.V7P3 | ← V | 248 |
| | 60 Hz | 3~ 400/460V | 4-4 | FN031-VD_4C.V7P3 | ← V | 248 |
| 350 | 50 Hz | 3~ 400V | 4-4 | FN035-VD_4C.V7P4 | ← V | 250 |
| | 60 Hz | 3~ 400/460V | 4-4 | FN035-VD_4C.V7P4 | ← V | 250 |
| 400 | 50 Hz | 3~ 400V | 4-4 | FN040-VD_4C.V7P3 | ← V | 252 |
| | 60 Hz | 3~ 400/460V | 4-4 | FN040-VD_4C.V7P3 | ← V | 252 |
| 450 | 50 Hz | 3~ 400V | 4-4 | FN045-VD_4I.V7P1 | ← V | 254 |
| | 60 Hz | 3~ 400/460V | 4-4 | FN045-VD_4I.V7P1 | ← V | 254 |
| 500 | 50 Hz | 3~ 400V | 4-4 | FN050-VD_4I.V7P1 | ← V | 256 |
| | 60 Hz | 3~ 400/460V | 4-4 | FN050-VD_4I.V7P1 | ← V | 256 |
| 560 | 50 Hz | 3~ 400V | 4-4 | FN056-VD_4M.V7P2 | ← V | 258 |
| | | | | FN056-VD_6K.V7P3 | ← V | 260 |
| | | | | FN056-VD_6N.V7P6 | ← V | 262 |
| | 60 Hz | 3~ 400/460V | 4-4 | FN056-VD_4M.V7P2 | ← V | 258 |
| | | | | FN056-VD_6K.V7P3 | ← V | 260 |
| | | | | FN056-VD_6N.V7P6 | ← V | 262 |
| 630 | 50 Hz | 3~ 400V | 4-4 | FN063-VD_6N.V7P6 | ← V | 264 |
| | | | | FN063-VD_6N.V7P7 | ← V | 266 |
| | 60 Hz | 3~ 400/460V | 4-4 | FN063-VD_6N.V7P6 | ← V | 264 |
| 710 | 50 Hz | 3~ 400V | 4-4 | FN071-VD_7Q.V7P5 | ← V | 268 |
| | 60 Hz | 3~ 400/460V | 4-4 | FN071-VD_7Q.V7P5 | ← V | 268 |
| 800 | 50 Hz | 3~ 400V | 4-4 | FN080-VD_7Q.V5P7 | ← V | 270 |





Information

ZArail

Cpro-ECblue

C-ECblue

C series

N series

M series

FE2owlet

FE2owlet

for three phase alternating current, 4-4 pole

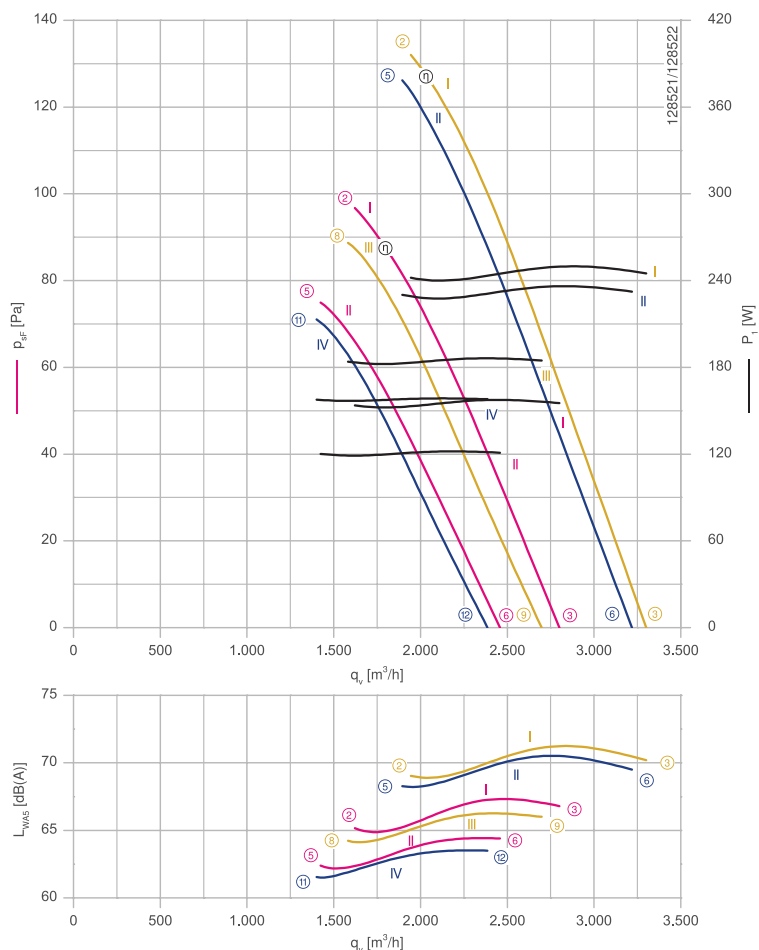
FNO3 1-VD



Description

Motor technology: AC
 Rated voltage U_N :
 3~400 V (Δ/Y) | 3~400 V (Δ/Y) | 3~460 V (Δ/Y) *
 Rated frequency f_N : 50 Hz | 60 Hz | 60 Hz*
 Input power P_i :
 160/120 W | 240/150 W | 250/180 W*
 Rated current I_N :
 0.39/0.21 A | 0.46/0.29 A | 0.46/0.29 A*
 Rated speed n_N :
 1400/1200 min^{-1} | 1600/1150 min^{-1} | 1650/1300 min^{-1} *
 Current increase ΔI : 0 % | 10 % | 10 %
 Thermal class: THCL155*
 Min. permitted ambient temperature $t_{R(\text{min})}$: -40 °C
 Max. permitted ambient temperature $t_{R(\text{max})}$:
 70 °C | 70 °C | 70 °C
 Electrical connection: Supply cable lateral-diagonal 105 cm
 Number of blades: 7
 Degree of protection : IP54
 Motor protection: thermal contact
 Blades: Aluminium, 2 coat paint, jet black
 Rotor: Aluminium, 2 coat paint, jet black
 Conformity: CE
 * Rated data

Characteristic curve



Measured in full bell mouth without guard grille in installation type A according to ISO 5801.

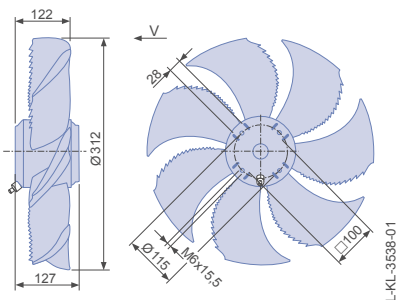
Connection diagram

Page 327
1360-108XA

Dimensions mm



Design A - without mounting




Performance data

| Type | Connection | Characteristic curve | Voltage | Frequency | Operating point | Current | Input power | Speed | Suction side sound power level L_{WAS} dB(A) | |
|-----------------|------------|----------------------|---------|-----------|-----------------|---------|-------------|------------------------|--|----|
| | | | U V | f Hz | | I A | P_1 W | n min ⁻¹ | | |
| FN031-4D_4C_7P3 | Δ | I | 400* | 50 | ② | 0.38* | 150* | 1420* | 65 | |
| | | | 400 | | | 0.38 | 160 | 1420 | 67 | |
| | | | 400* | | | 0.21* | 120* | 1250* | 62 | |
| | Y | II | 400 | | 60 | ⑥ | 0.21 | 120 | 1250 | 64 |
| | | | 460* | | | | 0.44* | 240* | 1670* | 69 |
| | | | 460 | | | | 0.44 | 250 | 1670 | 70 |
| | Δ | I | 400* | 60 | ② | 0.44* | 230* | 1630* | 68 | |
| | | | 400 | | | 0.44 | 230 | 1620 | 70 | |
| | | | 460* | | | 0.29* | 180* | 1370* | 64 | |
| | Y | III | 460 | | 60 | ⑥ | 0.29 | 180 | 1360 | 66 |
| | | | 460* | | | | 0.29* | 160* | 1210* | 62 |
| | | | 400 | | | | 0.29 | 160 | 1210 | 64 |

*rated data

Fan ordering information

← Airflow direction V

| | |
|-----------------------|---|
| Design | A |
| Installation position | H/Vu |
| |  |
| Type | FN031-VDA.4C.V7P3 |
| Article no. | 175765 |
| Weight kg | 6.50 |

Information

ZArail

Cpro-ECblue

C-ECblue

C series

N series

M series

FE2owlet



FE2owlet

for three phase alternating current, 4-4 pole

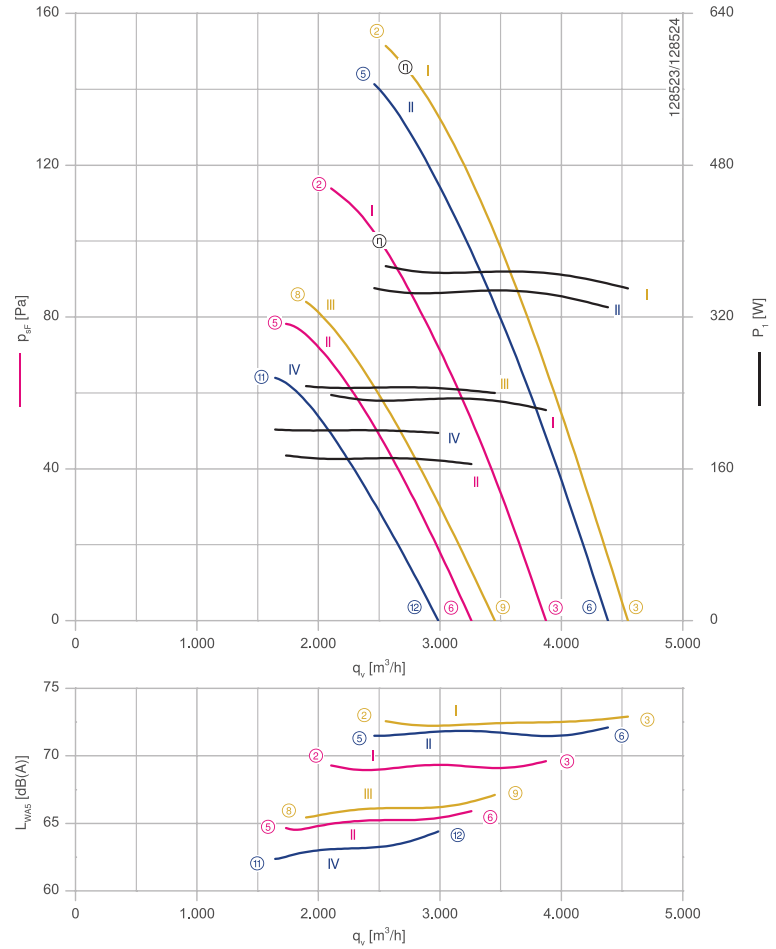
FN035-VD



Description

Motor technology: AC
 Rated voltage U_N :
 3~400 V (Δ/Y) | 3~400 V (Δ/Y) | 3~460 V (Δ/Y) *
 Rated frequency f_N : 50 Hz | 60 Hz | 60 Hz*
 Input power P_i :
 240/170 W | 360/200 W | 380/250 W*
 Rated current I_N :
 0.55/0.31 A | 0.66/0.39 A | 0.66/0.40 A*
 Rated speed n_N :
 1380/1150 min⁻¹ | 1540/1040 min⁻¹ | 1600/1190 min⁻¹*
 Current increase ΔI : 0 % | 5 % | 10 %
 Thermal class: THCL155*
 Min. permitted ambient temperature $t_{R(min)}$: -40 °C
 Max. permitted ambient temperature $t_{R(max)}$:
 70 °C | 70 °C | 70 °C
 Electrical connection: Supply cable lateral-diagonal 105 cm
 Number of blades: 7
 Degree of protection : IP54
 Motor protection: thermal contact
 Blades: Aluminium, 2 coat paint, jet black
 Rotor: Aluminium, 2 coat paint, jet black
 Conformity: CE
 * Rated data

Characteristic curve



Measured in full bell mouth without guard grille in installation type A according to ISO 5801.

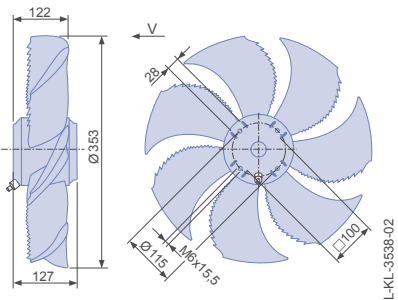
Connection diagram

Page 327
1360-108XA

Dimensions mm



Design A - without mounting




Performance data

| Type | Connection | Characteristic curve | Voltage | Frequency | Operating point | Current | Input power | Speed | Suction side sound power level L_{WAS} dB(A) |
|-----------------|------------|----------------------|---------|-----------|-----------------|---------|-------------|------------------------|--|
| | | | U V | f Hz | | I A | P_1 W | n min ⁻¹ | |
| FN035-4D_4C_7P4 | Δ | I | 400* | 50 | ② | 0.54* | 240* | 1380* | 69 |
| | | | 400 | | | 0.52 | 220 | 1390 | 70 |
| | Y | II | 400* | 60 | ⑤ | 0.31* | 170* | 1140* | 65 |
| | | | 400 | | | 0.29 | 170 | 1170 | 66 |
| | Δ | I | 460* | 60 | ② | 0.64* | 370* | 1610* | 73 |
| | | | 460 | | | 0.60 | 350 | 1620 | 73 |
| | | II | 400* | 60 | ⑤ | 0.64* | 350* | 1540* | 72 |
| | | | 400 | | | 0.62 | 330 | 1570 | 72 |
| | Y | III | 460* | 60 | ⑧ | 0.40* | 250* | 1190* | 66 |
| | | | 460 | | | 0.38 | 240 | 1240 | 67 |
| | | IV | 400* | 60 | ⑩ | 0.38* | 200* | 1040* | 62 |
| | | | 400 | | | 0.37 | 200 | 1080 | 64 |

*rated data

Fan ordering information

← Airflow direction V

| | |
|-----------------------|---|
| Design | A |
| Installation position | H/Vu |
| |  |
| Type | FN035-VDA.4C.V7P4 |
| Article no. | 175766 |
| Weight kg | 6.80 |

- Information
- ZArail
- Cpro-ECblue
- C-ECblue
- C series
- N series
- M series
- FE2owlet



FE2owlet

for three phase alternating current, 4-4 pole

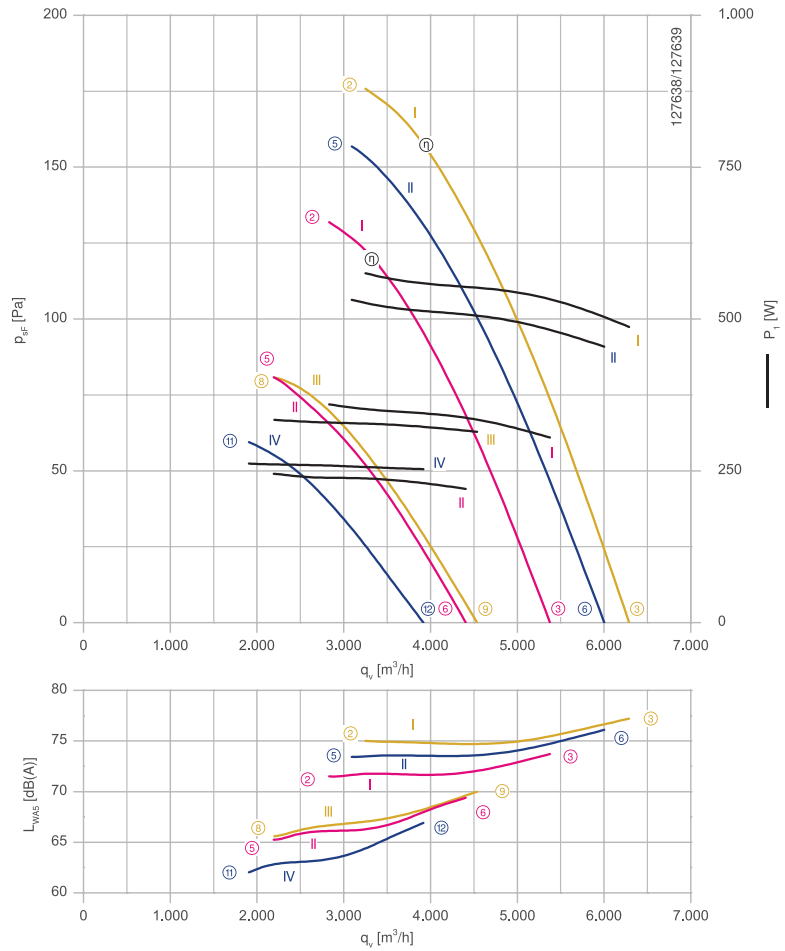
FNO40-VD



Description

Motor technology: AC
 Rated voltage U_N :
 3~400 V (Δ/Y) | 3~400 V (Δ/Y) | 3~460 V (Δ/Y) *
 Rated frequency f_N : 50 Hz | 60 Hz | 60 Hz*
 Input power P_i :
 0.36/0.24 kW | 0.52/0.26 kW | 0.58/0.33 kW*
 Rated current I_N :
 0.78/0.44 A | 0.96/0.50 A | 0.96/0.54 A*
 Rated speed n_N :
 1350/1050 min⁻¹ | 1470/910 min⁻¹ | 1550/1070 min⁻¹*
 Current increase ΔI : 0 % | 0 % | 0 %
 Thermal class: THCL155*
 Min. permitted ambient temperature $t_{R(min)}$: -40 °C
 Max. permitted ambient temperature $t_{R(max)}$:
 70 °C | 70 °C | 70 °C
 Electrical connection: Supply cable lateral-diagonal 105 cm
 Number of blades: 7
 Degree of protection : IP54
 Motor protection: thermal contact
 Blades: Aluminium, 2 coat paint, jet black
 Rotor: Aluminium, 2 coat paint, jet black
 Conformity: CE
 * Rated data

Characteristic curve



Measured in full bell mouth without guard grille in installation type A according to ISO 5801.

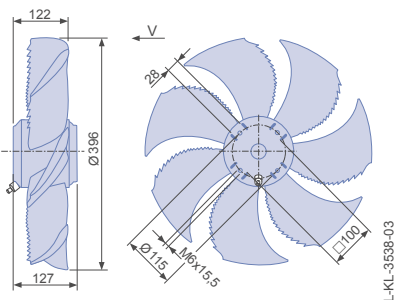
Connection diagram

Page 327
1360-108XA

Dimensions mm



Design A - without mounting




Performance data

| Type | Connection | Characteristic curve | Voltage | Frequency | Operating point | Current | Input power | Speed | Suction side sound power level |
|-----------------|------------|----------------------|---------|-----------|-----------------|---------|---------------------|------------------------|--------------------------------|
| | | | U V | f Hz | | I A | P _i W | n min ⁻¹ | L _{WAS} dB(A) |
| FN040-VD_4C_7P3 | Δ | I | 400* | 50 | ② | 0.78* | 360* | 1350* | 71 |
| | | | 400 | | | 0.72 | 300 | 1380 | 74 |
| | | | 400 | | | 0.44* | 240* | 1050* | 66 |
| | Δ | I | 460* | 60 | ② | 0.94* | 580* | 1550* | 75 |
| | | | 460 | | | 0.82 | 480 | 1610 | 77 |
| | | | 400* | | | 0.96* | 540* | 1460* | 74 |
| | | Y | III | | 400 | 0.84 | 460 | 1540 | 76 |
| | | | | | 460* | 0.54* | 330* | 1050* | 66 |
| | | | | | 460 | 0.50 | 310 | 1170 | 70 |
| | Y | IV | 400* | 0.50* | 260* | 910* | 62 | | |
| | | | 400 | 0.48 | 250 | 1010 | 67 | | |

*rated data

Fan ordering information

← Airflow direction V

| | |
|-----------------------|---|
| Design | A |
| Installation position | H/Vu |
| |  |
| Type | FN040-VDA.4C.V7P3 |
| Article no. | 175767 |
| Weight kg | 7.20 |



Information

ZArail

Cpro-ECblue

C-ECblue

C series

N series

M series

FE2owlet

FE2owlet

for three phase alternating current, 4-4 pole

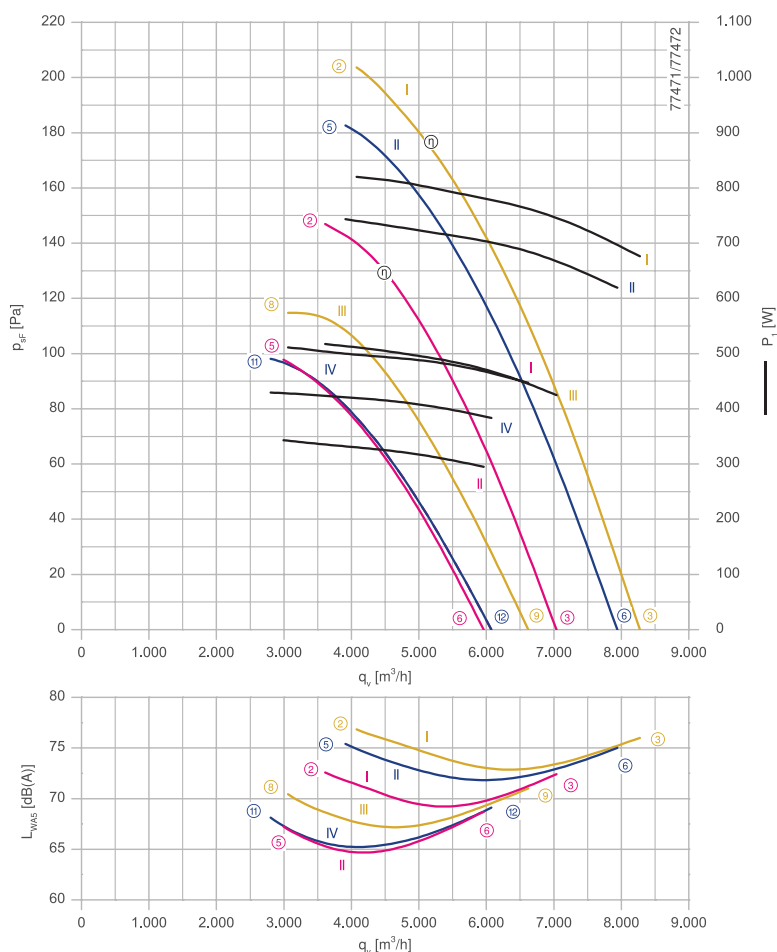
FNO45-VD



Description

Motor technology: AC
 Rated voltage U_N :
 3~400 V (Δ/Y) | 3~400 V (Δ/Y) | 3~460 V (Δ/Y) *
 Rated frequency f_N : 50 Hz | 60 Hz | 60 Hz*
 Input power P_i :
 0.52/0.34 kW | 0.75/0.43 kW | 0.82/0.51 kW*
 Rated current I_N :
 1.20/0.60 A | 1.35/0.72 A | 1.40/0.75 A*
 Rated speed n_N :
 1320/1070 min^{-1} | 1450/1060 min^{-1} | 1520/1160 min^{-1} *
 Current increase ΔI : 0 % | 0 % | 0 %
 Thermal class: THCL155*
 Min. permitted ambient temperature $t_{R(\text{min})}$: -40 °C
 Max. permitted ambient temperature $t_{R(\text{max})}$:
 70 °C | 70 °C | 70 °C
 Electrical connection: Supply cable lateral-diagonal 105 cm
 Number of blades: 7
 Degree of protection : IP54
 Motor protection: thermal contact
 Blades: Aluminium, 2 coat paint, jet black
 Rotor: Aluminium, 2 coat paint, jet black
 Conformity: CE
 * Rated data

Characteristic curve



Measured in full bell mouth without guard grille in installation type A according to ISO 5801.

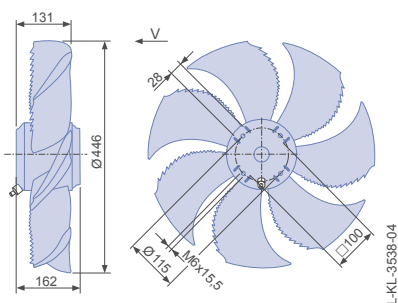
Connection diagram

Page 327
1360-108XA

Dimensions mm



Design A - without mounting




Performance data

| Type | Connection | Characteris- tic curve | Voltage | Frequency | Operating point | Current | Input power | Speed | Suction side sound power level L_{WAS} dB(A) |
|------------------|------------|---------------------------|---------|-----------|--------------------|---------|-------------|------------------------|--|
| | | | U V | f Hz | | I A | P_1 W | n min ⁻¹ | |
| FN045-VD_4I_V7P1 | Δ | I | 400* | 50 | ② | 1.20* | 520* | 1310* | 73 |
| | | | 400 | | | ③ | 1.10 | 420 | 1360 |
| | Y | II | 400* | 60 | ⑤ | 0.60* | 340* | 1070* | 68 |
| | | | 400 | | | ⑥ | 0.52 | 300 | 1150 |
| | Δ | I | 460* | 60 | ② | 1.40* | 820* | 1520* | 77 |
| | | | 460 | | | ③ | 1.25 | 680 | 1590 |
| | | II | 400* | 60 | ⑤ | 1.35* | 740* | 1450* | 76 |
| | | | 400 | | | ⑥ | 1.20 | 620 | 1520 |
| | Y | III | 460* | 60 | ⑧ | 0.74* | 500* | 1170* | 71 |
| | | | 460 | | | ⑨ | 0.66 | 440 | 1270 |
| | | IV | 400* | 60 | ⑪ | 0.72* | 420* | 1060* | 68 |
| | | | 400 | | | ⑫ | 0.64 | 380 | 1170 |

*rated data

Fan ordering information

← Airflow direction V

| | |
|-----------------------|---|
| Design | A |
| Installation position | H/Vu |
| |  |
| Type | FN045-VDA.4I.V7P1 |
| Article no. | 175771 |
| Weight kg | 10.70 |

Information

ZArail

Cpro-ECblue

C-ECblue

C series

N series

M series

FE2owlet



FE2owlet

for three phase alternating current, 4-4 pole

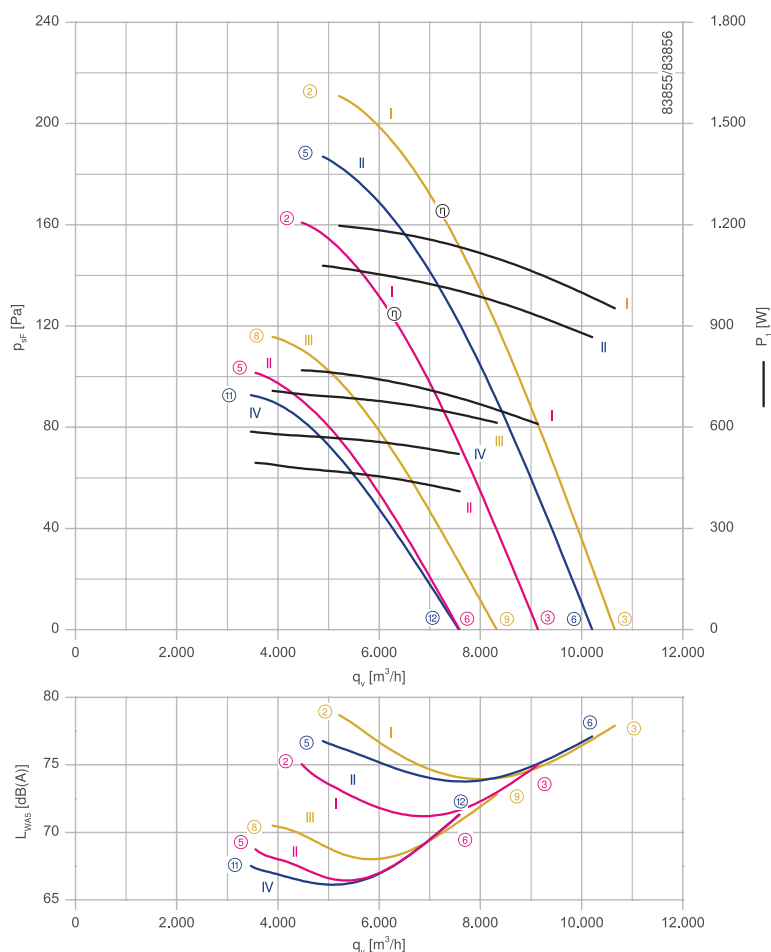
FN050-VD



Description

Motor technology: AC
 Rated voltage U_N :
 3~400 V (Δ/Y) | 3~400 V (Δ/Y) | 3~460 V (Δ/Y) *
 Rated frequency f_N : 50 Hz | 60 Hz | 60 Hz*
 Input power P_i :
 0.77/0.49 kW | 1.10/0.60 kW | 1.20/0.70 kW*
 Rated current I_N :
 1.70/0.84 A | 1.90/1.00 A | 2.00/1.05 A*
 Rated speed n_N :
 1300/1025 min⁻¹ | 1400/980 min⁻¹ | 1480/1100 min⁻¹*
 Current increase ΔI : 0 % | 0 % | 0 %
 Thermal class: THCL155*
 Min. permitted ambient temperature $t_{R(min)}$: -40 °C
 Max. permitted ambient temperature $t_{R(max)}$:
 70 °C | 70 °C | 70 °C
 Electrical connection: Supply cable lateral-diagonal 105 cm
 Number of blades: 7
 Degree of protection : IP54
 Motor protection: thermal contact
 Blades: Aluminium, 2 coat paint, jet black
 Rotor: Aluminium, 2 coat paint, jet black
 Conformity: CE
 * Rated data

Characteristic curve



Measured in full bell mouth without guard grille in installation type A according to ISO 5801.

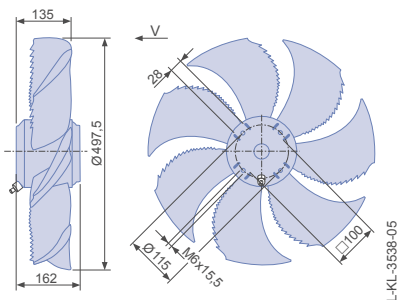
Connection diagram

Page 327
1360-108XA

Dimensions mm



Design A - without mounting




Performance data

| Type | Connection | Characteristic curve | Voltage | Frequency | Operating point | Current | Input power | Speed | Suction side sound power level | |
|-----------------|------------|----------------------|---------|-----------|-----------------|---------|---------------------|------------------------|--------------------------------|----|
| | | | U V | f Hz | | I A | P _i W | n min ⁻¹ | L _{WAS} dB(A) | |
| FN050-VD_4I_7P1 | Δ | I | 400* | 50 | ② | 1.70* | 760* | 1290* | 75 | |
| | | | 400 | | | 1.55 | 600 | 1340 | 75 | |
| | | | 400 | | | 0.84* | 480* | 1030* | 69 | |
| | Δ | I | 460* | 60 | ② | 2.00* | 1200* | 1480* | 79 | |
| | | | 460 | | | 1.70 | 960 | 1570 | 78 | |
| | | II | 400* | | ⑤ | 1.90* | 1100* | 1400* | 77 | |
| | | | 400 | | | 1.60 | 860 | 1500 | 77 | |
| | | Y | III | | 460* | ⑧ | 1.05* | 700* | 1100* | 71 |
| | | | | | 460 | | 0.90 | 620 | 1230 | 73 |
| | IV | 400* | ⑪ | 0.98* | 580* | 990* | 68 | | | |
| | | 400 | | ⑫ | 0.88 | 520 | 1120 | 71 | | |

*rated data

Fan ordering information

← Airflow direction V

| | |
|-----------------------|---|
| Design | A |
| Installation position | H/Vu |
| |  |
| Type | FN050-VDA.4I.V7P1 |
| Article no. | 175772 |
| Weight kg | 11.20 |

Information

ZArail

Cpro-ECblue

C-ECblue

C series

N series

M series

FE2owlet



FE2owlet

for three phase alternating current, 4-4 pole

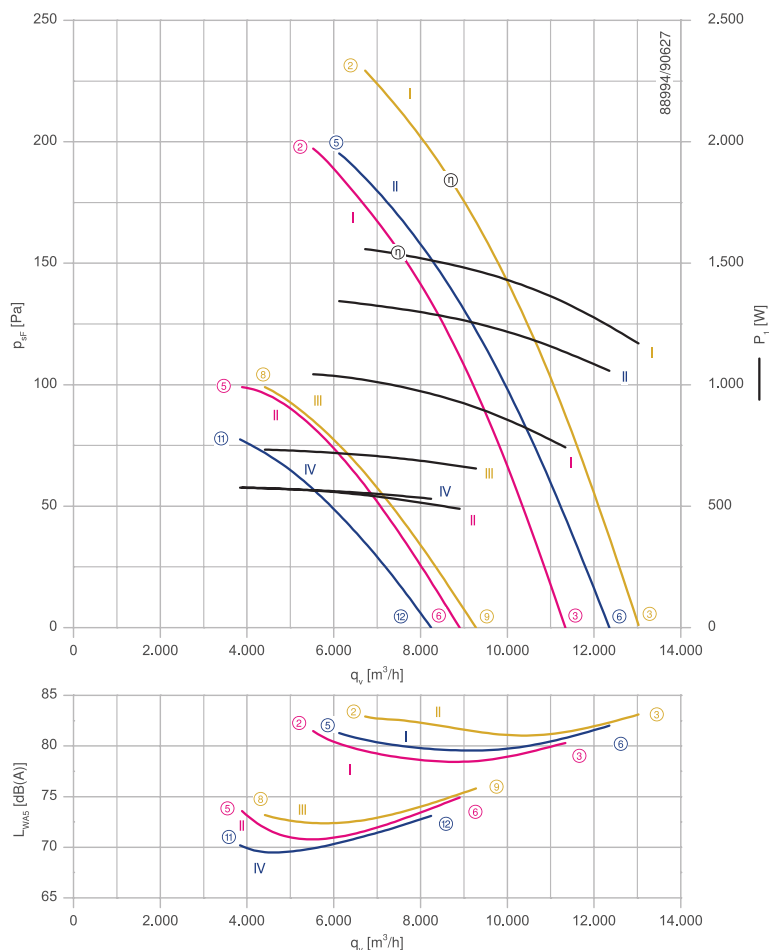
FN056-VD



Description

Motor technology: AC
 Rated voltage U_N :
 3~400 V (Δ/Y) | 3~400 V (Δ/Y) | 3~460 V (Δ/Y) *
 Rated frequency f_N : 50 Hz | 60 Hz | 60 Hz*
 Input power P_i :
 1.05/0.58 kW | 1.35/0.58 kW | 1.55/0.72 kW*
 Rated current I_N :
 2.20/1.10 A | 2.60/1.15 A | 2.70/1.25 A*
 Rated speed n_N :
 1280/910 min⁻¹ | 1320/830 min⁻¹ | 1430/950 min⁻¹*
 Starting current I_A : 6.50/1.90 A | 5.50/1.60 A | 7.00/1.90 A
 Current increase ΔI : 0 % | 0 % | 0 %
 Thermal class: THCL155*
 Min. permitted ambient temperature $t_{R(min)}$: -40 °C
 Max. permitted ambient temperature $t_{R(max)}$:
 70 °C | 55 °C | 55 °C
 Electrical connection: Supply cable lateral-diagonal 105 cm
 Number of blades: 7
 Degree of protection : IP54
 Motor protection: thermal contact
 Blades: Aluminium, 2 coat paint, jet black
 Rotor: Aluminium, 2 coat paint, jet black
 Conformity: CE
 * Rated data

Characteristic curve



Measured in full bell mouth without guard grille in installation type A according to ISO 5801.

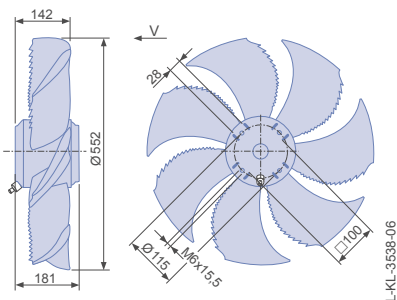
Connection diagram

Page 327
1360-108XA

Dimensions mm



Design A - without mounting




Performance data

| Type | Connection | Characteristic curve | Voltage | Frequency | Operating point | Current | Input power | Speed | Suction side sound power level L_{WAS} dB(A) | |
|-----------------|------------|----------------------|---------|-----------|-----------------|---------|-------------|------------------------|--|----|
| | | | U V | f Hz | | I A | P_1 W | n min ⁻¹ | | |
| FN056-VD_4M_7P2 | Δ | I | 400* | 50 | ② | 2.20* | 1050* | 1280* | 82 | |
| | | | 400 | | | ③ | 1.75 | 740 | 1370 | 80 |
| | | | 400 | | | ⑤ | 1.10* | 580* | 910* | 73 |
| | Δ | I | 460* | 60 | ② | 2.70* | 1550* | 1420* | 83 | |
| | | | | | | ③ | 2.10 | 1150 | 1570 | 83 |
| | | | | | | ⑥ | 2.70* | 1350* | 1310* | 81 |
| | | Y | III | | 460* | ⑥ | 2.10 | 1050 | 1490 | 82 |
| | | | | | | ⑨ | 1.25* | 740* | 940* | 73 |
| | | | | | | ⑩ | 1.10 | 660 | 1120 | 76 |
| | Y | IV | 400* | ⑪ | 1.15* | 580* | 820* | 70 | | |
| | | | | ⑫ | 1.05 | 540 | 1000 | 73 | | |

*rated data

Fan ordering information

← Airflow direction V

| | |
|-----------------------|---|
| Design | A |
| Installation position | H/Vu |
| |  |
| Type | FN056-VDA.4M.V7P2 |
| Article no. | 175774 |
| Weight kg | 12.60 |

FE2owlet

for three phase alternating current, 4-4 pole

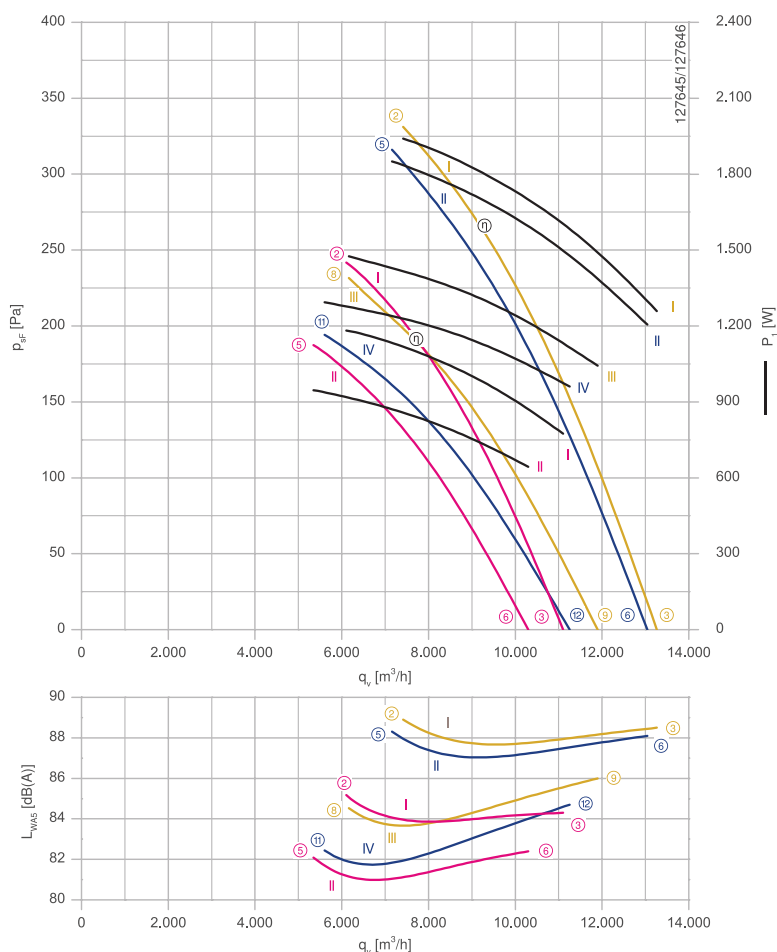
FN056-VD



Description

Motor technology: AC
 Rated voltage U_N :
 3~400 V (Δ/Y) | 3~400 V (Δ/Y) | 3~460 V (Δ/Y) *
 Rated frequency f_N : 50 Hz | 60 Hz | 60 Hz*
 Input power P_i :
 1.20/0.96 kW | 1.85/1.30 kW | 1.95/1.50 kW*
 Rated current I_N :
 2.40/1.55 A | 3.10/2.20 A | 3.00/2.10 A*
 Rated speed n_N :
 1410/1240 min⁻¹ | 1620/1270 min⁻¹ | 1660/1390 min⁻¹*
 Starting current I_A : 15.00/4.80 A | 14.00/4.40 A | 16.00/5.00 A
 Current increase ΔI : 20 % | 20 % | 20 %
 Thermal class: THCL155*
 Min. permitted ambient temperature $t_{R(min)}$: -40 °C
 Max. permitted ambient temperature $t_{R(max)}$:
 70 °C | 70 °C | 70 °C
 Electrical connection: Supply cable lateral 105 cm
 Number of blades: 7
 Degree of protection : IP54
 Motor protection: thermal contact
 Blades: Aluminium, 2 coat paint, jet black
 Rotor: Aluminium, 2 coat paint, jet black
 Conformity: CE
 * Rated data

Characteristic curve



Measured in full bell mouth without guard grille in installation type A according to ISO 5801.

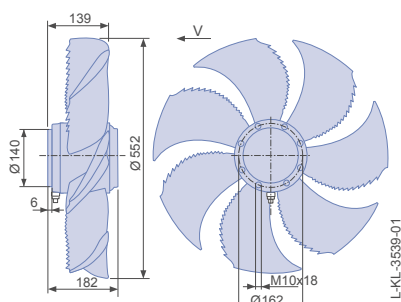
Connection diagram

Page 327
1360-108XA

Dimensions mm

Airflow direction V

Design A - without mounting



Performance data

| Type | Connection | Characteristic curve | Voltage | Frequency | Operating point | Current | Input power | Speed | Suction side sound power level L_{WAS} dB(A) | | | | |
|-----------------|------------|----------------------|---------|-----------|-----------------|---------|-------------|------------------------|--|-------|-------|-------|------|
| | | | U V | f Hz | | I A | P_1 W | n min ⁻¹ | | | | | |
| FN056-VD_6K_7P3 | Δ | I | 400* | 50 | ② | 2.40* | 1200* | 1410* | 85 | | | | |
| | | | 400 | | | ③ | 1.95 | 780 | 1450 | 84 | | | |
| | | | 400 | | | ⑤ | 1.55* | 940* | 1240* | 82 | | | |
| | Δ | I | 460* | 60 | ② | 3.00* | 1950* | 1660* | 89 | | | | |
| | | | | | | ③ | 2.20 | 1250 | 1720 | 89 | | | |
| | | | | | | ⑤ | 3.10* | 1850* | 1620* | 88 | | | |
| | | II | 400 | | ⑥ | 2.20 | 1200 | 1690 | 88 | | | | |
| | | | | | | Y | III | 460* | ⑧ | 2.10* | 1500* | 1390* | 85 |
| | | | | | | | | | | ⑨ | 1.45 | 1050 | 1550 |
| | IV | 400* | ⑪ | 2.10* | 1300* | 1270* | 82 | | | | | | |
| | | | | ⑫ | 1.55 | 960 | 1470 | 85 | | | | | |

*rated data

Fan ordering information

← Airflow direction V

| | |
|-----------------------|---|
| Design | A |
| Installation position | H/Vu |
| |  |
| Type | FN056-VDA.6K.V7P3 |
| Article no. | 175775 |
| Weight kg | 20.00 |

Information

ZArail

Cpro-ECblue

C-ECblue

C series

N series

M series

FE2owlet



FE2owlet

for three phase alternating current, 4-4 pole

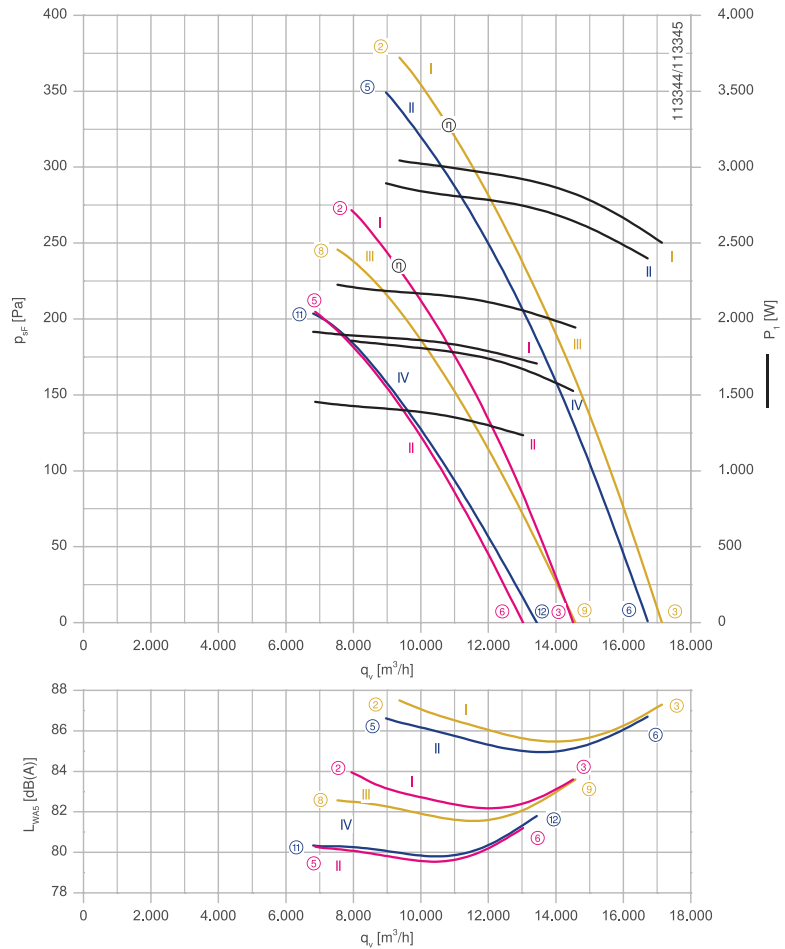
FN056-VD



Description

Motor technology: AC
 Rated voltage U_N :
 3~400 V (Δ/Y) | 3~400 V (Δ/Y) | 3~460 V (Δ/Y) *
 Rated frequency f_N : 50 Hz | 60 Hz | 60 Hz*
 Input power P_i :
 1.85/1.45 kW | 2.90/1.90 kW | 3.10/2.20 kW*
 Rated current I_N :
 3.80/2.40 A | 4.80/3.20 A | 4.80/3.20 A*
 Rated speed n_N :
 1400/1220 min⁻¹ | 1590/1220 min⁻¹ | 1640/1340 min⁻¹*
 Starting current I_A : 20.00/6.50 A | 19.00/6.00 A | 22.00/7.00 A
 Current increase ΔI : 10 % | 15 % | 15 %
 Thermal class: THCL155*
 Min. permitted ambient temperature $t_{R(min)}$: -40 °C
 Max. permitted ambient temperature $t_{R(max)}$:
 70 °C | 55 °C | 55 °C
 Electrical connection: Supply cable lateral 105 cm
 Number of blades: 7
 Degree of protection : IP54
 Motor protection: thermal contact
 Blades: Aluminium, 2 coat paint, jet black
 Rotor: Aluminium, 2 coat paint, jet black
 Conformity: CE
 * Rated data

Characteristic curve



Measured in full bell mouth without guard grille in installation type A according to ISO 5801.

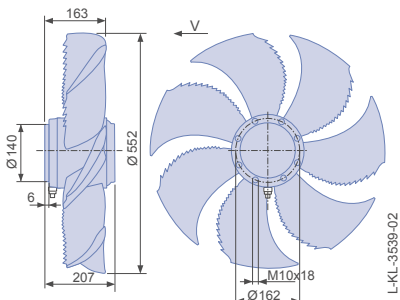
Connection diagram

Page 327
1360-108XA

Dimensions mm



Design A - without mounting




Performance data

| Type | Connection | Characteristic curve | Voltage | Frequency | Operating point | Current | Input power | Speed | Suction side sound power level L_{WAS} dB(A) | |
|-----------------|------------|----------------------|---------|-----------|-----------------|---------|-------------|------------------------|--|----|
| | | | U V | f Hz | | I A | P_1 W | n min ⁻¹ | | |
| FN056-VD_6N_7P6 | Δ | I | 400* | 50 | ② | 3.80* | 1850* | 1400* | 84 | |
| | | | 400 | | | ③ | 3.40 | 1550 | 1420 | 84 |
| | | | 400* | | | ⑤ | 2.40* | 1450* | 1220* | 80 |
| | Δ | I | 460* | 60 | ② | 4.80* | 3100* | 1640* | 88 | |
| | | | | | | ③ | 4.00 | 2500 | 1680 | 87 |
| | | | | | | ⑤ | 5.00* | 2900* | 1590* | 87 |
| | | II | 400 | | ⑥ | 4.20 | 2400 | 1640 | 87 | |
| | | | 460 | | ⑧ | 3.20 | 2200 | 1340 | 83 | |
| | | | 460 | | ⑨ | 2.80 | 1950 | 1430 | 84 | |
| | Y | IV | 400 | ⑩ | 3.20 | 1900 | 1210 | 80 | | |
| | | | 400 | ⑫ | 2.80 | 1700 | 1320 | 82 | | |

*rated data

Fan ordering information

← Airflow direction V

| | |
|-----------------------|---|
| Design | A |
| Installation position | H/Vu |
| |  |
| Type | FN056-VDA.6N.V7P6 |
| Article no. | 175776 |
| Weight kg | 24.70 |

Information
ZArail
Cpro-ECblue
C-ECblue
C series
N series
M series
FE2owlet



FE2owlet

for three phase alternating current, 4-4 pole

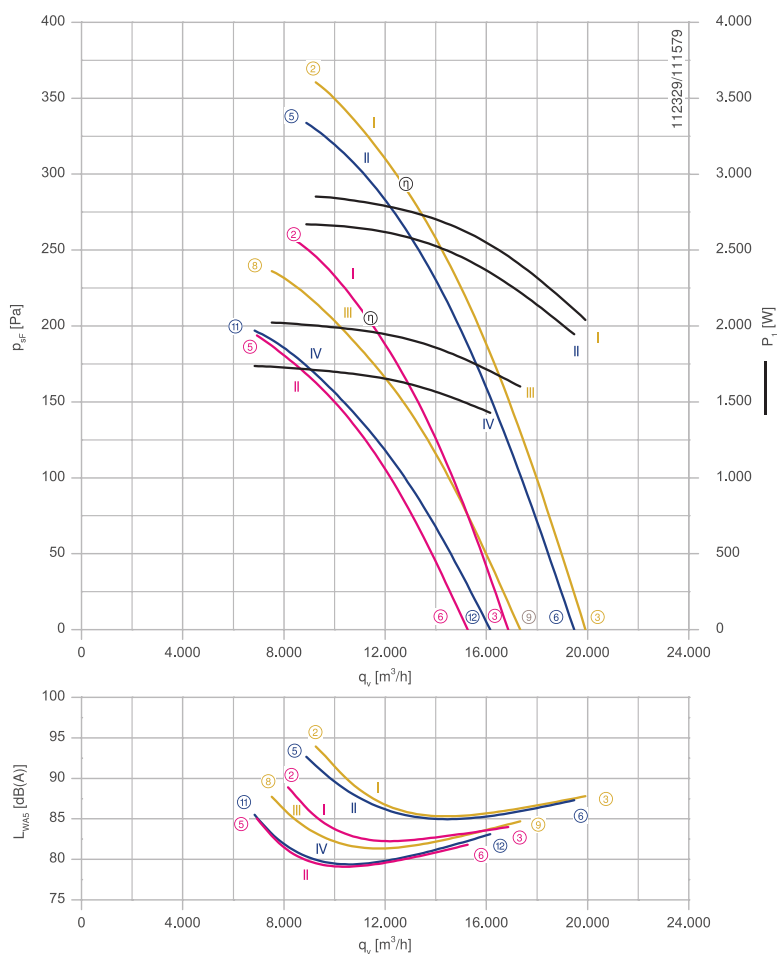
FN063-VD



Description

Motor technology: AC
 Rated voltage U_N :
 3~400 V (Δ/Y) | 3~400 V (Δ/Y) | 3~460 V (Δ/Y) *
 Rated frequency f_N : 50 Hz | 60 Hz | 60 Hz*
 Input power P_i :
 1.75/1.35 kW | 2.80/1.80 kW | 2.90/2.10 kW*
 Rated current I_N :
 3.70/2.20 A | 4.80/3.00 A | 4.60/3.00 A*
 Rated speed n_N :
 1400/1210 min^{-1} | 1580/1210 min^{-1} | 1640/1330 min^{-1} *
 Starting current I_A : 20.00/6.50 A | 19.00/6.00 A | 22.00/7.00 A
 Current increase ΔI : 5 % | 5 % | 10 %
 Thermal class: THCL155*
 Min. permitted ambient temperature $t_{R(\text{min})}$: -40 °C
 Max. permitted ambient temperature $t_{R(\text{max})}$:
 70 °C | 60 °C | 60 °C
 Electrical connection: Supply cable lateral 105 cm
 Number of blades: 7
 Degree of protection : IP54
 Motor protection: thermal contact
 Blades: Aluminium, 2 coat paint, jet black
 Rotor: Aluminium, 2 coat paint, jet black
 Conformity: CE
 * Rated data

Characteristic curve



Measured in full bell mouth without guard grille in installation type A according to ISO 5801.

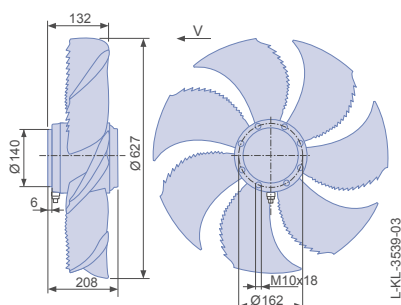
Connection diagram

Page 327
1360-108XA

Dimensions mm



Design A - without mounting




Performance data

| Type | Connection | Characteristic curve | Voltage | Frequency | Operating point | Current | Input power | Speed | Suction side sound power level L_{WAS} dB(A) | |
|-----------------|------------|----------------------|---------|-----------|-----------------|---------|-------------|------------------------|--|----|
| | | | U V | f Hz | | I A | P_1 W | n min ⁻¹ | | |
| FN063-VD_6N_7P6 | Δ | I | 400* | 50 | ② | 3.70* | 1750* | 1400* | 89 | |
| | | | 400 | | | ③ | 3.10 | 1250 | 1430 | 84 |
| | | | 400 | | | ⑤ | 2.20* | 1350* | 1210* | 85 |
| | Δ | I | 460* | 60 | ② | 4.60* | 2900* | 1640* | 94 | |
| | | | | | | ③ | 3.60 | 2000 | 1690 | 88 |
| | | | | | | ⑤ | 4.60* | 2700* | 1590* | 93 |
| | | II | 400 | | ⑥ | 3.60 | 1950 | 1660 | 87 | |
| | | | | | | ⑧ | 2.90* | 2000* | 1330* | 88 |
| | | | | | | ⑨ | 2.30 | 1600 | 1470 | 85 |
| | Y | IV | 400* | ⑩ | 2.90* | 1750* | 1220* | 86 | | |
| | | | | | ⑪ | 2.90* | 1750* | 1220* | 86 | |
| | | | | | ⑫ | 2.40 | 1450 | 1370 | 83 | |

*rated data

Fan ordering information

← Airflow direction V

| | |
|-----------------------|---|
| Design | A |
| Installation position | H/Vu |
| |  |
| Type | FN063-VDA.6N.V7P6 |
| Article no. | 175777 |
| Weight kg | 22.50 |

Information

ZArail

Cpro-ECblue

C-ECblue

C series

N series

M series

FE2owlet



FE2owlet

for three phase alternating current, 4-4 pole

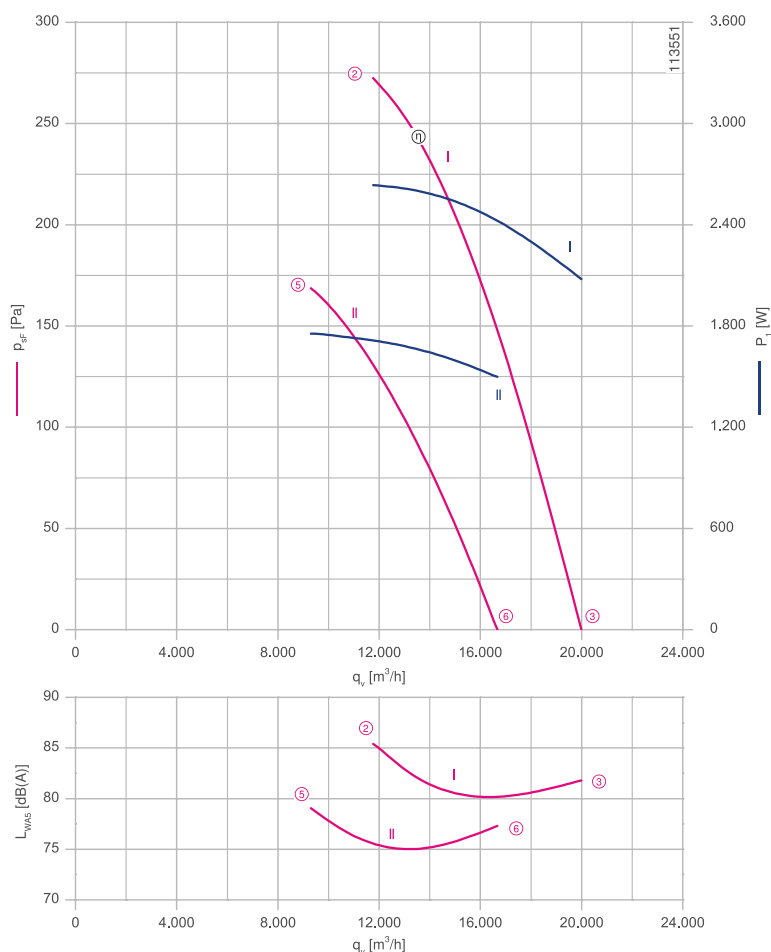
FN063-VD



Description

Motor technology: AC
 Rated voltage U_N :
3~ 400 V (Δ/Y)*
 Rated frequency f_N : **50 Hz***
 Input power P_i :
2.70/1.75 kW*
 Rated current I_N :
5.00/3.00 A*
 Rated speed n_N :
1330/1040 min⁻¹*
 Starting current I_A : **19.00/6.00 A**
 Current increase ΔI : **5 %**
 Thermal class: THCL155*
 Min. permitted ambient temperature $t_{R(min)}$: **-40 °C**
 Max. permitted ambient temperature $t_{R(max)}$:
60 °C
 Electrical connection: Supply cable lateral 105 cm
 Number of blades: 7
 Degree of protection : IP54
 Motor protection: thermal contact
 Blades: Aluminium, 2 coat paint, jet black
 Rotor: Aluminium, 2 coat paint, jet black
 Conformity: CE
 * Rated data

Characteristic curve



Measured in full bell mouth without guard grille in installation type A according to ISO 5801.

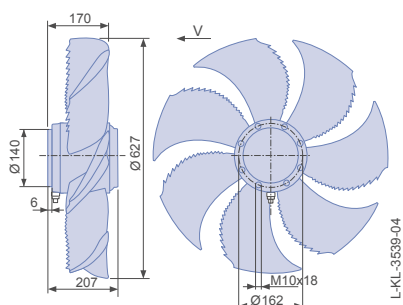
Connection diagram

Page 327
1360-108XA

Dimensions mm



Design A - without mounting




Performance data

| Type | Connection | Characteristic curve | Voltage | Operating point | Current | Input power | Speed | Suction side sound power level L_{WA5} dB(A) |
|-----------------|------------|----------------------|---------|-----------------|---------|-------------|------------------------|--|
| | | | U V | | I A | P_1 W | n min ⁻¹ | |
| FN063-VD_6N_7P7 | Δ | I | 400 | ① | 5.80 | 3300 | 1280 | |
| | | | 400* | ② | 5.00* | 2600* | 1330* | 86 |
| | | | 400 | ③ | 4.20 | 2100 | 1380 | 82 |
| | Y | II | 400 | ④ | 3.30 | 2000 | 940 | |
| | | | 400* | ⑤ | 3.00* | 1750* | 1050* | 79 |
| | | | 400 | ⑥ | 2.50 | 1500 | 1140 | 77 |

*rated data

Fan ordering information

← Airflow direction V

| | |
|-----------------------|---|
| Design | A |
| Installation position | H/Vu |
| |  |
| Type | FN063-VDA.6N.V7P7 |
| Article no. | 175778 |
| Weight kg | 25.50 |

Information

ZArail

Cpro-ECblue

C-ECblue

C series

N series

M series

FE2owlet

FE2owlet

for three phase alternating current, 4-4 pole

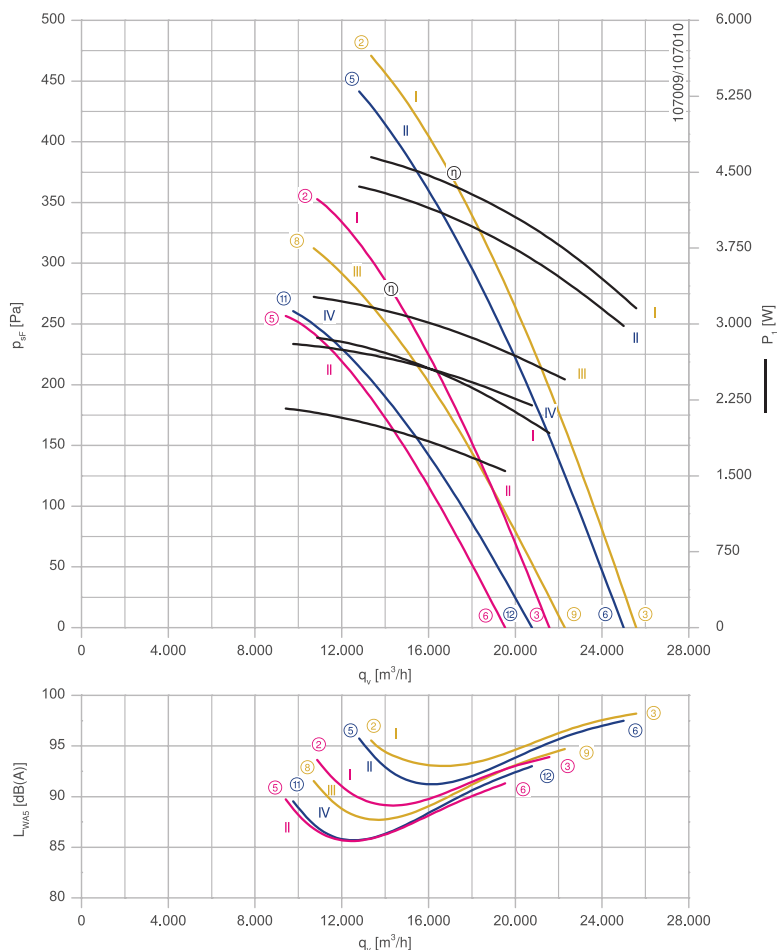
FNO7 1-VD



Description

Motor technology: AC
 Rated voltage U_N :
 3~400 V (Δ/Y) | 3~400 V (Δ/Y) | 3~460 V (Δ/Y) *
 Rated frequency f_N : 50 Hz | 60 Hz | 60 Hz*
 Input power P_i :
 2.90/2.20 kW | 4.40/2.80 kW | 4.60/3.20 kW*
 Rated current I_N :
 5.40/3.50 A | 7.20/4.60 A | 7.00/4.60 A*
 Rated speed n_N :
 1380/1190 min^{-1} | 1570/1210 min^{-1} | 1620/1320 min^{-1} *
 Starting current I_A : 32.00/10.00 A | 28.00/9.00 A | 34.00/10.00 A
 Current increase ΔI : 15 % | 10 % | 15 %
 Thermal class: THCL155*
 Min. permitted ambient temperature $t_{R(\text{min})}$: -40 °C
 Max. permitted ambient temperature $t_{R(\text{max})}$:
 70 °C | 50 °C | 50 °C
 Electrical connection: Supply cable axial 105 cm
 Number of blades: 5
 Degree of protection : IP54
 Motor protection: thermal contact
 Blades: Aluminium, 2 coat paint, jet black
 Rotor: Aluminium, 2 coat paint, jet black
 Conformity: CE
 * Rated data

Characteristic curve



Measured in full bell mouth without guard grille in installation type A according to ISO 5801.

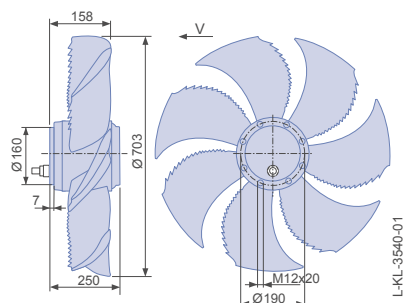
Connection diagram

Page 327
1360-108XA

Dimensions mm



Design A - without mounting




Performance data

| Type | Connection | Characteristic curve | Voltage | Frequency | Operating point | Current | Input power | Speed | Suction side sound power level L_{WAS} dB(A) | |
|-----------------|------------|----------------------|---------|-----------|-----------------|---------|-------------|------------------------|--|----|
| | | | U V | f Hz | | I A | P_1 W | n min ⁻¹ | | |
| FN071-VD_7Q_5P5 | Δ | I | 400* | 50 | ② | 5.40* | 2900* | 1380* | 94 | |
| | | | 400 | | | ③ | 4.20 | 1900 | 1430 | 94 |
| | | | 400* | | | ⑤ | 3.50* | 2200* | 1190* | 90 |
| | Δ | I | 460* | 60 | ② | 7.00* | 4600* | 1620* | 96 | |
| | | | | | | ③ | 5.20 | 3200 | 1690 | 98 |
| | | | | | | ⑥ | 7.20* | 4400* | 1560* | 96 |
| | | Y | III | | 460 | ⑥ | 5.20 | 3000 | 1650 | 98 |
| | | | | | | ⑧ | 4.60 | 3300 | 1310 | 92 |
| | | | | | | ⑨ | 3.40 | 2500 | 1470 | 95 |
| | IV | 400 | ⑩ | 4.60 | 2800 | 1200 | 90 | | | |
| | | | ⑫ | 3.50 | 2200 | 1380 | 93 | | | |

*rated data

Fan ordering information

← Airflow direction V

| | |
|-----------------------|---|
| Design | A |
| Installation position | H/Vu |
| |  |
| Type | FN071-VDA.7Q.V5P5 |
| Article no. | 175780 |
| Weight kg | 40.50 |

Information

ZArail

Cpro-ECblue

C-ECblue

C series

N series

M series

FE2owlet



FE2owlet

for three phase alternating current, 4-4 pole

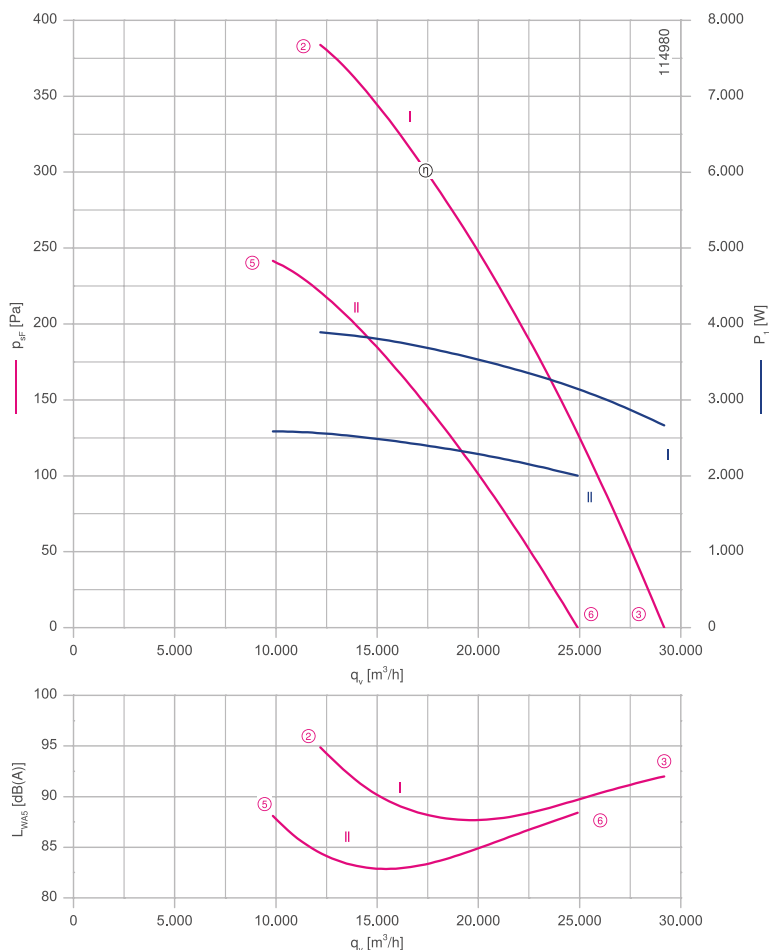
FN080-VD



Description

Motor technology: AC
 Rated voltage U_N :
3~ 400 V (Δ/Y)*
 Rated frequency f_N : **50 Hz***
 Input power P_i :
3.90/2.60 kW*
 Rated current I_N :
6.80/4.20 A*
 Rated speed n_N :
1310/1050 min⁻¹*
 Starting current I_A : **32.00/10.00 A**
 Current increase ΔI : **5 %**
 Thermal class: THCL155*
 Min. permitted ambient temperature $t_{R(min)}$: **-40 °C**
 Max. permitted ambient temperature $t_{R(max)}$:
70 °C
 Electrical connection: Supply cable axial 105 cm
 Number of blades: 5
 Degree of protection : IP54
 Motor protection: thermal contact
 Blades: Aluminium, 2 coat paint, jet black
 Rotor: Aluminium, 2 coat paint, jet black
 Conformity: CE
 * Rated data

Characteristic curve



Measured in full bell mouth without guard grille in installation type A according to ISO 5801.

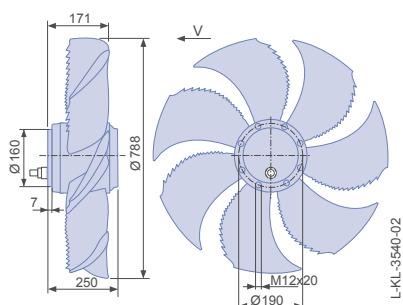
Connection diagram

Page 327
1360-108XA

Dimensions mm



Design A - without mounting



Performance data

| Type | Connection | Characteristic curve | Voltage | Operating point | Current | Input power | Speed | Suction side sound power level L_{WA5} dB(A) |
|-----------------|------------|----------------------|---------|-----------------|---------|-------------|-------|--|
| | | | U V | | | | | |
| FN080-VD_7Q_5P7 | Δ | I | 400* | ② | 6.80* | 3900* | 1310* | 95 |
| | | | 400 | ③ | 5.20 | 2700 | 1380 | 92 |
| | | | 400* | ⑤ | 4.20* | 2600* | 1050* | 88 |
| | Y | II | 400 | ⑥ | 3.20 | 2000 | 1180 | 88 |


*rated data

Fan ordering information

← Airflow direction V

Design A

Installation position H/Vu



Type FN080-VDA.7Q.V5P7
Article no. 175781

Weight kg 41.00

- Information
- ZArail
- Cpro-ECblue
- C-ECblue
- C series
- N series
- M series
- FE2owlet





FC

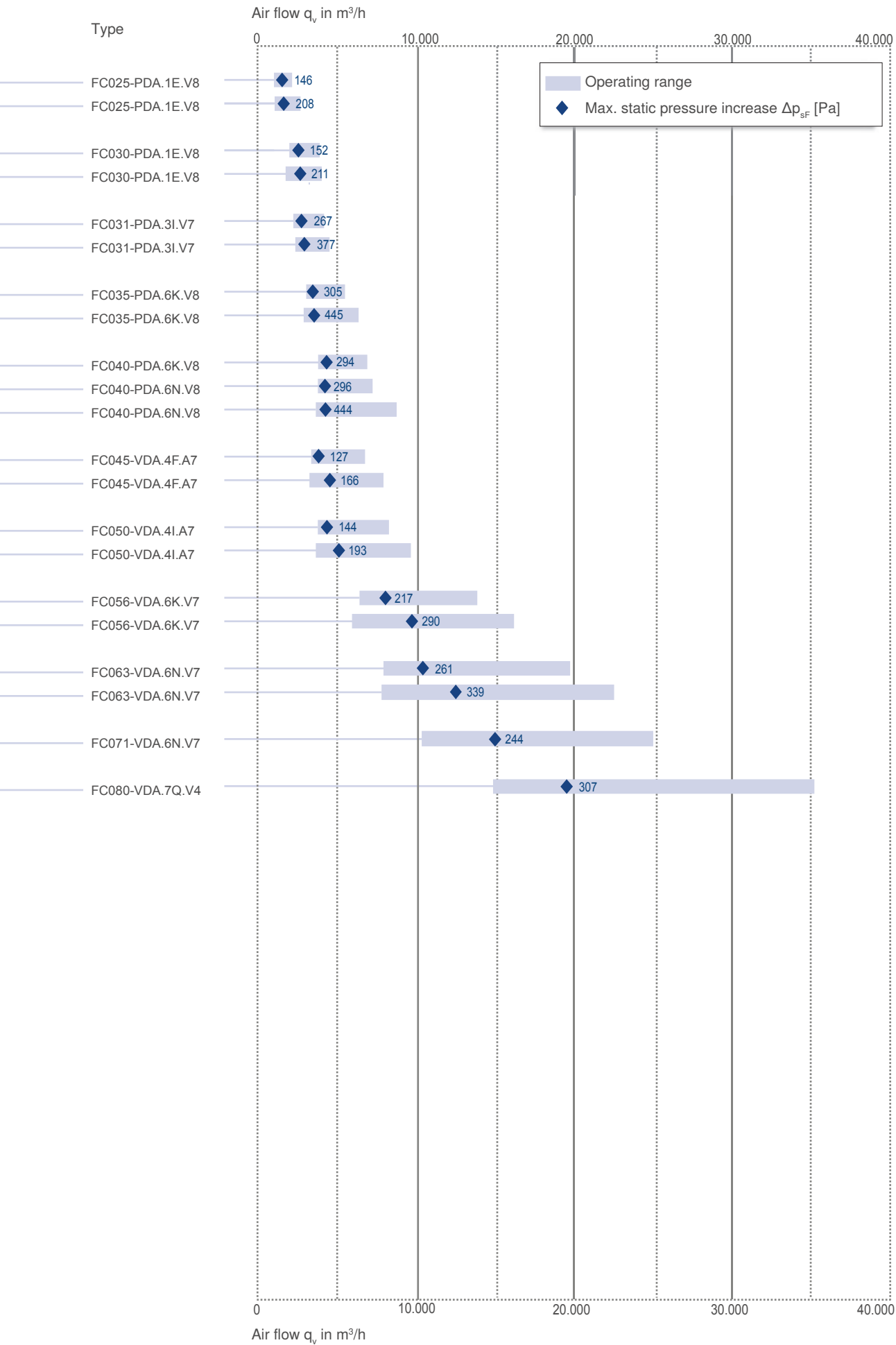
AC technology

Product overview

| | |
|-----------------|----------|
| Quick selection | Page 274 |
| Size 250 | Page 276 |
| Size 300 | Page 278 |
| Size 315 | Page 280 |
| Size 350 | Page 282 |
| Size 400 | Page 284 |
| Size 450 | Page 288 |
| Size 500 | Page 290 |
| Size 560 | Page 292 |
| Size 630 | Page 294 |
| Size 710 | Page 296 |
| Size 800 | Page 298 |

| Size | Frequency | Voltage | Number of poles | Type | Airflow direction | Page |
|------|-----------|-------------|-----------------|-----------------|-------------------|------|
| 250 | 50 Hz | 3~ 400V | 2-2 | FC025-PDA.1E.V8 | ← V | 276 |
| | 60 Hz | 3~ 400/460V | 2-2 | FC025-PDA.1E.V8 | ← V | 276 |
| 300 | 50 Hz | 3~ 400V | 2-2 | FC030-PDA.1E.V8 | ← V | 278 |
| | 60 Hz | 3~ 400/460V | 2-2 | FC030-PDA.1E.V8 | ← V | 278 |
| 310 | 50 Hz | 3~ 400V | 2-2 | FC031-PDA.3I.V7 | ← V | 280 |
| | 60 Hz | 3~ 400/460V | 2-2 | FC031-PDA.3I.V7 | ← V | 280 |
| 350 | 50 Hz | 3~ 400V | 2-2 | FC035-PDA.6K.V8 | ← V | 282 |
| | 60 Hz | 3~ 400/460V | 2-2 | FC035-PDA.6K.V8 | ← V | 282 |
| 400 | 50 Hz | 3~ 400V | 2-2 | FC040-PDA.6K.V8 | ← V | 284 |
| | | | | FC040-PDA.6N.V8 | ← V | 286 |
| | 60 Hz | 3~ 400/460V | 2-2 | FC040-PDA.6N.V8 | ← V | 286 |
| 450 | 50 Hz | 3~ 400V | 4-4 | FC045-VDA.4F.A7 | ⇒ A | 288 |
| | 60 Hz | 3~ 400/460V | 4-4 | FC045-VDA.4F.A7 | ⇒ A | 288 |
| 500 | 50 Hz | 3~ 400V | 4-4 | FC050-VDA.4I.A7 | ⇒ A | 290 |
| | 60 Hz | 3~ 400/460V | 4-4 | FC050-VDA.4I.A7 | ⇒ A | 290 |
| 560 | 50 Hz | 3~ 400V | 4-4 | FC056-VDA.6K.V7 | ← V | 292 |
| | 60 Hz | 3~ 400/460V | 4-4 | FC056-VDA.6K.V7 | ← V | 292 |
| 630 | 50 Hz | 3~ 400V | 4-4 | FC063-VDA.6N.V7 | ← V | 294 |
| | 60 Hz | 3~ 400/460V | 4-4 | FC063-VDA.6N.V7 | ← V | 294 |
| 710 | 50 Hz | 3~ 400V | 4-4 | FC071-VDA.6N.V7 | ← V | 296 |
| 800 | 50 Hz | 3~ 400V | 4-4 | FC080-VDA.7Q.V4 | ← V | 298 |





FC

for three phase alternating current, 2-2 pole

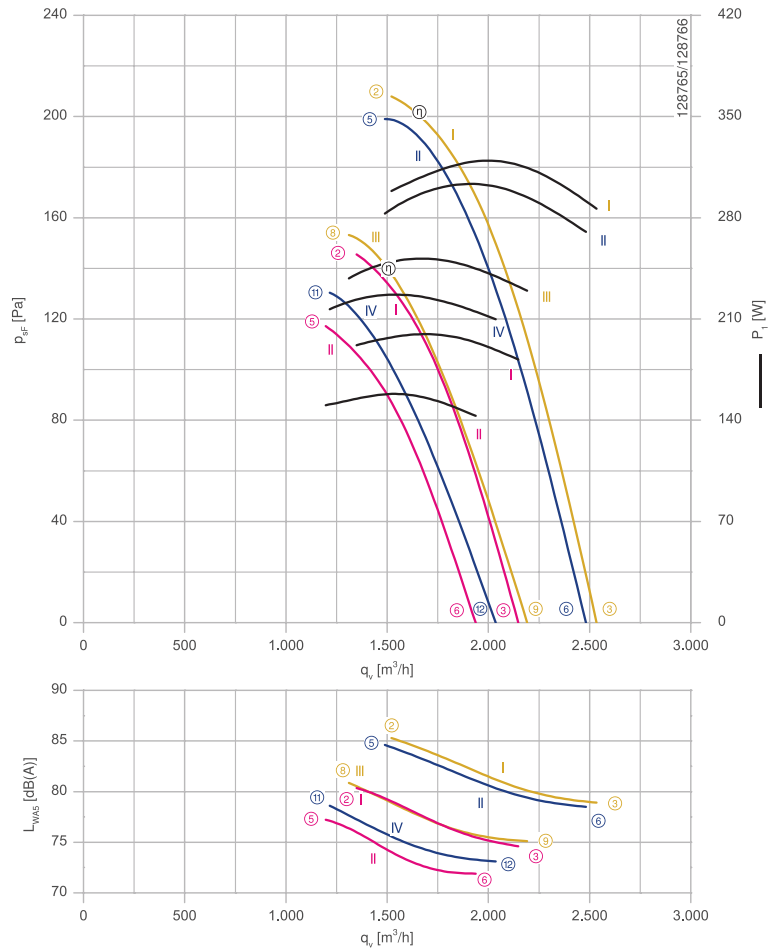
FC025-PD



Description

Motor technology: AC
 Rated voltage U_N :
 3~400 V (Δ/Y) | 3~400 V (Δ/Y) | 3~460 V (Δ/Y) *
 Rated frequency f_N : 50 Hz | 60 Hz | 60 Hz*
 Input power P_i :
 200/160 W | 310/230 W | 320/250 W*
 Rated current I_N :
 0.46/0.25 A | 0.51/0.35 A | 0.52/0.34 A*
 Rated speed n_N :
 2840/2530 min^{-1} | 3270/2600 min^{-1} | 3350/2830 min^{-1} *
 Starting current I_s : 2.40/0.80 A | 2.20/0.75 A | 2.60/0.85 A
 Current increase ΔI : 0 % | 20 % | 15 %
 Thermal class: THCL155*
 Min. permitted ambient temperature $t_{R(\text{min})}$: -40 °C
 Max. permitted ambient temperature $t_{R(\text{max})}$:
 70 °C | 70 °C | 70 °C
 Electrical connection: Supply cable lateral-diagonal 105 cm
 Number of blades: 8
 Degree of protection : IP54
 Motor protection: thermal contact
 Blades: Aluminium, 2 coat paint, jet black
 Rotor: Aluminium, 2 coat paint, jet black
 Conformity: CE
 * Rated data

Characteristic curve



Measured in full bell mouth without guard grille in installation type A according to ISO 5801.

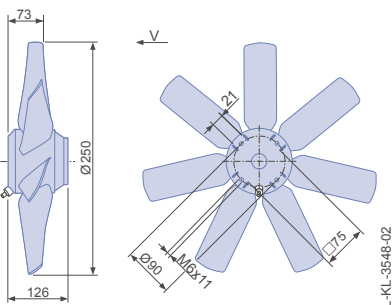
Connection diagram

Page 327
1360-108XA

Dimensions mm



Design A - without mounting




Performance data

| Type | Connection | Characteristic curve | Voltage | Frequency | Operating point | Current | Input power | Speed | Suction side sound power level | | |
|---------------|------------|----------------------|---------|-----------|-----------------|---------|---------------------|------------------------|--------------------------------|-------|----|
| | | | U V | f Hz | | I A | P _i W | n min ⁻¹ | L _{WAS} dB(A) | | |
| FC025-PD_1E_8 | Δ | I | 400* | 50 | ② | 0.46* | 190* | 2850* | 80 | | |
| | | | 400 | | | 0.44 | 180 | 2860 | 75 | | |
| | | | 400 | | | 0.24* | 150* | 2550* | 77 | | |
| | Y | II | 400 | | 60 | ⑥ | 0.23 | 140 | 2590 | 72 | |
| | | | 460* | | | | ② | 0.50* | 300* | 3370* | 85 |
| | | | 460 | | | | ③ | 0.48 | 290 | 3380 | 79 |
| | Δ | I | 400* | 60 | ⑤ | 0.48* | 280* | 3300* | 85 | | |
| | | | 400 | | | ⑥ | 0.46 | 270 | 3310 | 79 | |
| | | | 460* | | | ⑧ | 0.32* | 240* | 2890* | 81 | |
| | 460 | ⑨ | 0.31 | | 230 | | 2930 | 75 | | | |
| | 400* | IV | 0.33* | | 220* | | 2670* | 79 | | | |
| | 400 | | ⑩ | | 0.32 | 210 | 2720 | 73 | | | |
| 400 | ⑫ | | 0.32 | 210 | 2720 | 73 | | | | | |

*rated data

Fan ordering information

← Airflow direction V

| | |
|---|------------------------|
| Design | A |
| Installation position | H/Vu |
|  | |
| Type | FC025-PDA.1E.V8 |
| Article no. | 175787 |
| Weight kg | 4.00 |

FC

for three phase alternating current, 2-2 pole

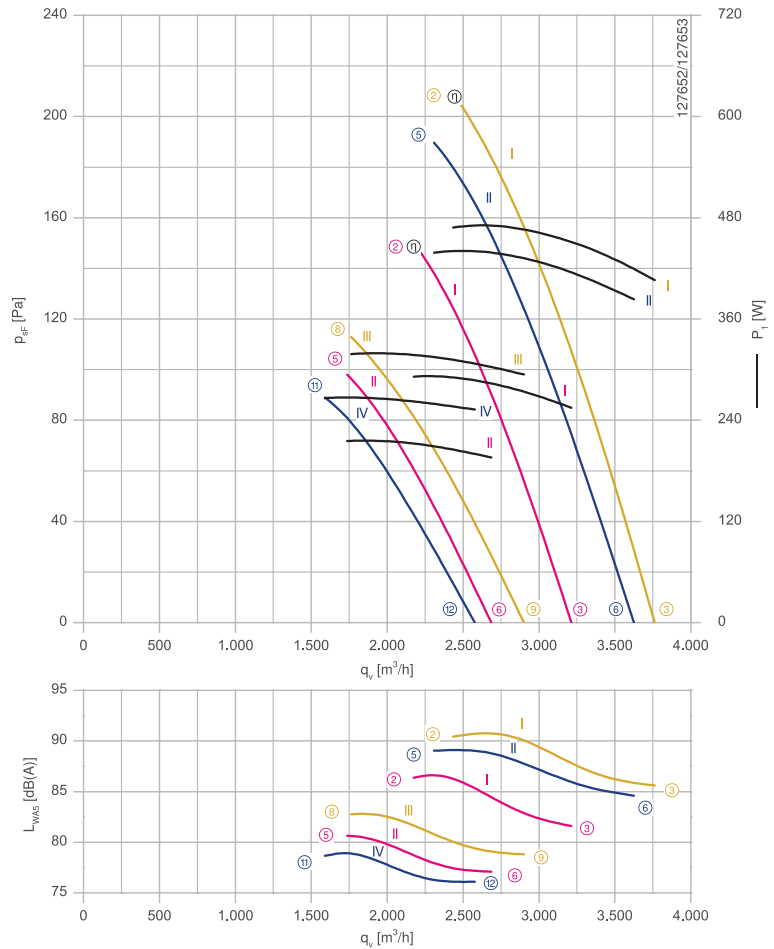
FC030-PD



Description

Motor technology: AC
 Rated voltage U_N :
 3~400 V (Δ/Y) | 3~400 V (Δ/Y) | 3~460 V (Δ/Y) *
 Rated frequency f_N : 50 Hz | 60 Hz | 60 Hz*
 Input power P_i :
 290/210 W | 440/270 W | 470/320 W*
 Rated current I_N :
 0.53/0.33 A | 0.69/0.42 A | 0.67/0.43 A*
 Rated speed n_N :
 2740/2220 min^{-1} | 3010/2080 min^{-1} | 3170/2340 min^{-1} *
 Starting current I_s : 2.40/0.80 A | 2,20/0,75 A | 2,60/0,85 A
 Current increase ΔI : 10 % | 5 % | 10 %
 Thermal class: THCL155*
 Min. permitted ambient temperature $t_{R(\text{min})}$: -40 °C
 Max. permitted ambient temperature $t_{R(\text{max})}$:
 70 °C | 60 °C | 60 °C
 Electrical connection: Supply cable lateral-diagonal 105 cm
 Number of blades: 8
 Degree of protection : IP54
 Motor protection: thermal contact
 Blades: Aluminium, 2 coat paint, jet black
 Rotor: Aluminium, 2 coat paint, jet black
 Conformity: CE
 * Rated data

Characteristic curve



Measured in full bell mouth without guard grille in installation type A according to ISO 5801.

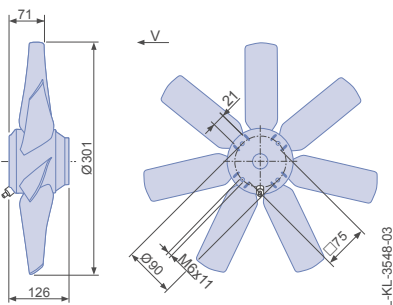
Connection diagram

Page 327
1360-108XA

Dimensions mm

Airflow direction V

Design A - without mounting




Performance data

| Type | Connection | Characteristic curve | Voltage | Frequency | Operating point | Current | Input power | Speed | Suction side sound power level | | |
|---------------|------------|----------------------|---------|-----------|-----------------|---------|---------------------|------------------------|--------------------------------|-------|----|
| | | | U V | f Hz | | I A | P _i W | n min ⁻¹ | L _{WAS} dB(A) | | |
| FC030-PD_1E_8 | Δ | I | 400* | 50 | ② | 0.52* | 290* | 2730* | 86 | | |
| | | | 400 | | | 0.48 | 250 | 2770 | 82 | | |
| | Y | II | 400* | 60 | ⑤ | 0.33* | 220* | 2210* | 81 | | |
| | | | 400 | | | 0.30 | 200 | 2320 | 77 | | |
| | Δ | I | 460* | 60 | ② | 0.66* | 460* | 3170* | 90 | | |
| | | | 460 | | | 0.58 | 400 | 3240 | 86 | | |
| | | II | 400* | 60 | ⑤ | 0.68* | 440* | 3020* | 89 | | |
| | | | 400 | | | 0.60 | 380 | 3120 | 85 | | |
| | Y | III | 460* | 60 | ⑥ | 0.42* | 320* | 2340* | 83 | | |
| | | | 460 | | | 0.39 | 290 | 2510 | 79 | | |
| | | | 400* | | | IV | ⑪ | 0.42* | 270* | 2080* | 79 |
| | | | 400 | | | | ⑫ | 0.39 | 250 | 2230 | 76 |

*rated data

Fan ordering information

← Airflow direction V

| | |
|-----------------------|---|
| Design | A |
| Installation position | H/Vu |
| |  |
| Type | FC030-PDA.1E.V8 |
| Article no. | 175788 |
| Weight kg | 4.10 |

FC

for three phase alternating current, 2-2 pole

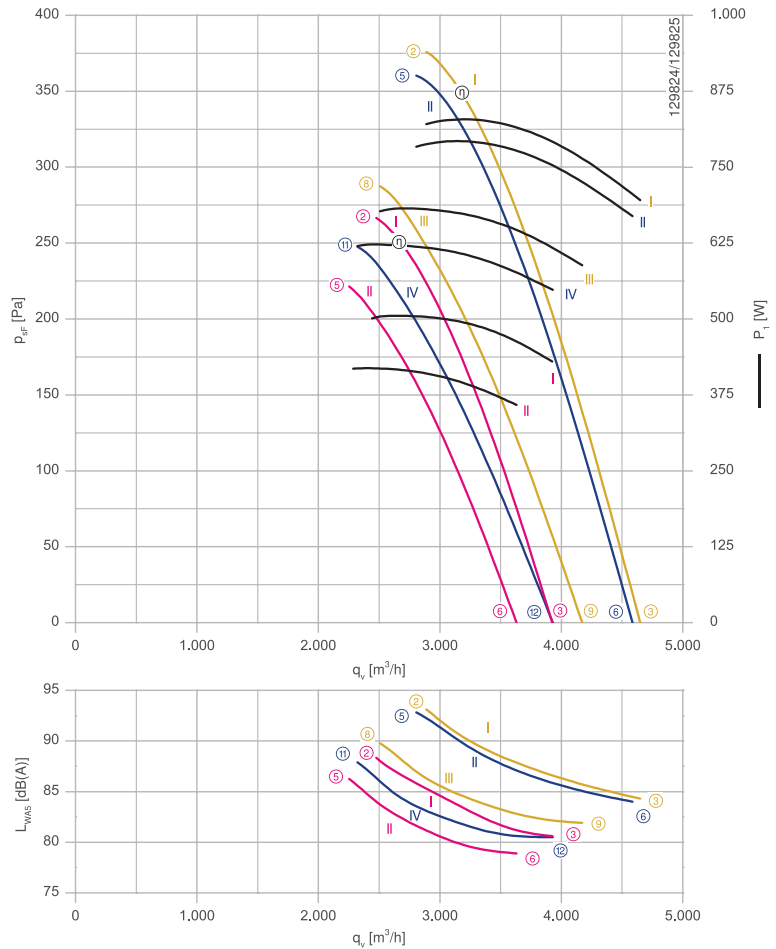
FC031-PD



Description

Motor technology: AC
 Rated voltage U_N :
 3~400 V (Δ/Y) | 3~400 V (Δ/Y) | 3~460 V (Δ/Y) *
 Rated frequency f_N : 50 Hz | 60 Hz | 60 Hz*
 Input power P_i :
 500/420 W | 800/620 W | 820/680 W*
 Rated current I_N :
 1.10/0.66 A | 1.30/0.98 A | 1.30/0.92 A*
 Rated speed n_N :
 2870/2610 min⁻¹ | 3320/2750 min⁻¹ | 3390/2960 min⁻¹*
 Starting current I_A : 7.00/2.40 A | 7.00/2.20 A | 8.00/2.60 A
 Current increase ΔI : 25 % | 30 % | 30 %
 Thermal class: THCL155*
 Min. permitted ambient temperature $t_{R(min)}$: -40 °C
 Max. permitted ambient temperature $t_{R(max)}$:
 70 °C | 70 °C | 70 °C
 Electrical connection: Supply cable lateral-diagonal 105 cm
 Number of blades: 7
 Degree of protection : IP54
 Motor protection: thermal contact
 Blades: Aluminium, 2 coat paint, jet black
 Rotor: Aluminium, 2 coat paint, jet black
 Conformity: CE
 * Rated data

Characteristic curve



Measured in full bell mouth without guard grille in installation type A according to ISO 5801.

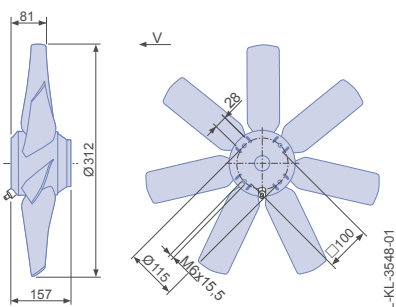
Connection diagram

Page 327
1360-108XA

Dimensions mm

Airflow direction V

Design A - without mounting




Performance data

| Type | Connection | Characteristic curve | Voltage | Frequency | Operating point | Current | Input power | Speed | Suction side sound power level |
|---------------|------------|----------------------|---------|-----------|-----------------|---------|---------------------|------------------------|--------------------------------|
| | | | U V | f Hz | | I A | P _i W | n min ⁻¹ | L _{WAS} dB(A) |
| FC031-PD_3I_7 | Δ | I | 400* | 50 | ② | 1.05* | 500* | 2870* | 88 |
| | | | 400 | | | ③ | 1.00 | 440 | 2900 |
| | Y | II | 400* | 60 | ⑤ | 0.66* | 420* | 2620* | 87 |
| | | | 400 | | | ⑥ | 0.56 | 360 | 2680 |
| | Δ | I | 460* | 60 | ② | 1.25* | 820* | 3390* | 93 |
| | | | 460 | | | ③ | 1.15 | 700 | 3430 |
| | | II | 400* | 60 | ⑤ | 1.30* | 780* | 3330* | 93 |
| | | | 400 | | | ⑥ | 1.10 | 660 | 3380 |
| | Y | III | 460* | 60 | ⑤ | 0.92* | 680* | 2970* | 90 |
| | | | 460 | | | ⑨ | 0.80 | 580 | 3080 |
| | | IV | 400* | 60 | ⑪ | 0.96* | 620* | 2750* | 88 |
| | | | 400 | | | ⑫ | 0.86 | 540 | 2890 |

*rated data

Fan ordering information

← Airflow direction V

| | |
|-----------------------|---|
| Design | A |
| Installation position | H/Vu |
| |  |
| Type | FC031-PDA.3I.V7 |
| Article no. | 175790 |
| Weight kg | 9.00 |

FC

for three phase alternating current, 2-2 pole

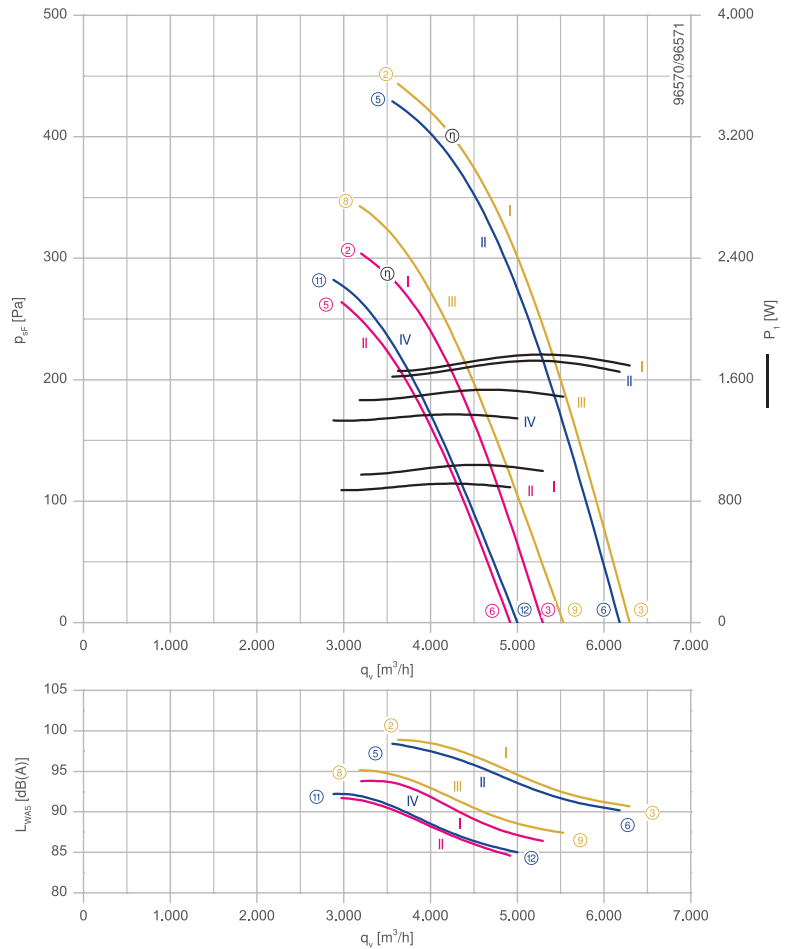
FC035-PD



Description

Motor technology: AC
 Rated voltage U_N :
 3~400 V (Δ/Y) | 3~400 V (Δ/Y) | 3~460 V (Δ/Y) *
 Rated frequency f_N : 50 Hz | 60 Hz | 60 Hz*
 Input power P_i :
 1.05/0.94 kW | 1.75/1.40 kW | 1.8/1.55 kW*
 Rated current I_N :
 2.00/1.50 A | 2.80/2.40 A | 2.60/2.30 A*
 Rated speed n_N :
 2900/2700 min⁻¹ | 3400/2770 min⁻¹ | 3470/3050 min⁻¹*
 Current increase ΔI : 60 % | 50 % | 50 %
 Thermal class: THCL155*
 Min. permitted ambient temperature $t_{R(min)}$: -40 °C
 Max. permitted ambient temperature $t_{R(max)}$:
 70 °C | 45 °C | 45 °C
 Electrical connection: Supply cable lateral 105 cm
 Number of blades: 8
 Degree of protection : IP54
 Motor protection: thermal contact
 Blades: Aluminium, 2 coat paint, jet black
 Rotor: Aluminium, 2 coat paint, jet black
 Conformity: CE
 * Rated data

Characteristic curve



Measured in full bell mouth without guard grille in installation type A according to ISO 5801.

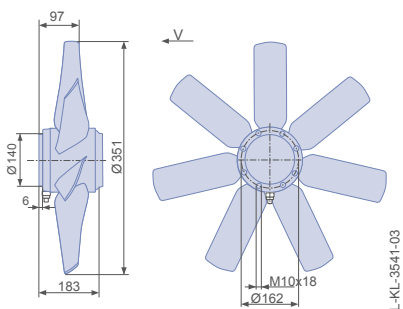
Connection diagram

Page 327
1360-108XA

Dimensions mm

Airflow direction V

Design A - without mounting




Performance data

| Type | Connection | Characteristic curve | Voltage | Frequency | Operating point | Current | Input power | Speed | Suction side sound power level L_{WAS} dB(A) |
|---------------|------------|----------------------|---------|-----------|-----------------|---------|-------------|------------------------|--|
| | | | U V | f Hz | | I A | P_i W | n min ⁻¹ | |
| FC035-PD_6K_8 | Δ | I | 400* | 50 | ② | 1.90* | 980* | 2900* | 94 |
| | | | 400 | | | ③ | 1.90 | 1000 | 2910 |
| | Y | II | 400* | 60 | ⑤ | 1.40* | 880* | 2710* | 92 |
| | | | 400 | | | ⑥ | 1.40 | 900 | 2700 |
| | Δ | I | 460* | 60 | ② | 2.50* | 1650* | 3470* | 99 |
| | | | 460 | | | ③ | 2.50 | 1700 | 3460 |
| | | II | 400* | 60 | ⑤ | 2.60* | 1600* | 3400* | 98 |
| | | | 400 | | | ⑥ | 2.70 | 1650 | 3400 |
| | Y | III | 460* | 60 | ⑧ | 2.10* | 1450* | 3040* | 95 |
| | | | 460 | | | ⑨ | 2.10 | 1500 | 3030 |
| | | IV | 400* | 60 | ⑪ | 2.30* | 1350* | 2770* | 92 |
| | | | 400 | | | ⑫ | 2.30 | 1350 | 2750 |

*rated data

Fan ordering information

← Airflow direction V

| | |
|-----------------------|---|
| Design | A |
| Installation position | H/Vu |
| |  |
| Type | FC035-PDA.6K.V8 |
| Article no. | 175791 |
| Weight kg | 16.80 |



FC

for three phase alternating current, 2-2 pole

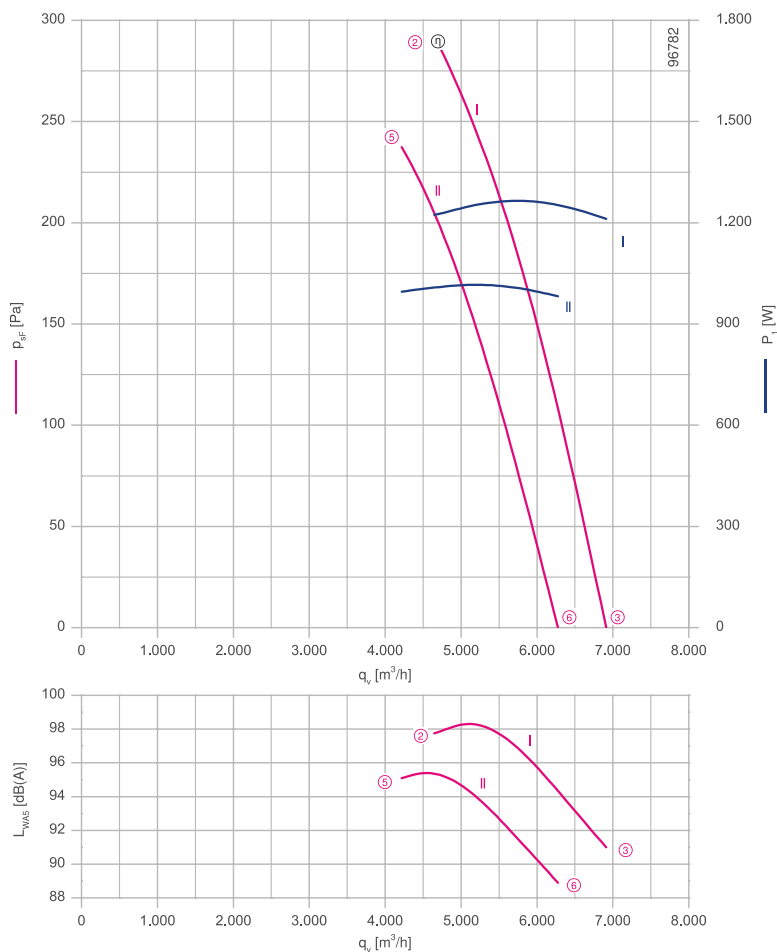
FC040-PD



Description

Motor technology: AC
 Rated voltage U_N :
3~ 400 V (Δ/Y)*
 Rated frequency f_N : **50 Hz***
 Input power P_i :
1.30/1.05 kW*
 Rated current I_N :
2.70/1.65 A*
 Rated speed n_N :
2850/2570 min⁻¹*
 Current increase ΔI : **20 %**
 Thermal class: THCL155*
 Min. permitted ambient temperature $t_{R(min)}$: **-40 °C**
 Max. permitted ambient temperature $t_{R(max)}$:
70 °C
 Electrical connection: Supply cable lateral 105 cm
 Number of blades: 8
 Degree of protection : IP54
 Motor protection: thermal contact
 Blades: Aluminium, 2 coat paint, jet black
 Rotor: Aluminium, 2 coat paint, jet black
 Conformity: CE
 * Rated data

Characteristic curve



Measured in full bell mouth without guard grille in installation type A according to ISO 5801.

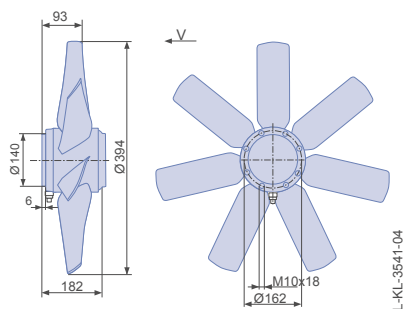
Connection diagram

Page 327
1360-108XA

Dimensions mm

← Airflow direction V

Design A - without mounting




Performance data

| Type | Connection | Characteristic curve | Voltage U V | Operating point | Current I A | Input power P ₁ W | Speed n min ⁻¹ | Suction side sound power level L _{WA5} dB(A) |
|---------------|------------|----------------------|-------------------|-----------------|-------------------|------------------------------------|---------------------------------|---|
| FC040-PD_6K_8 | Δ | I | 400* | ② | 2.60* | 1200* | 2870* | 98 |
| | | | 400 | ③ | 2.60 | 1200 | 2860 | 91 |
| | Y | II | 400* | ⑤ | 1.60* | 1000* | 2600* | 95 |
| | | | 400 | ⑥ | 1.60 | 980 | 2600 | 89 |

*rated data

Fan ordering information

← Airflow direction V

| | |
|---|------------------------|
| Design | A |
| Installation position | H/Vu |
|  | |
| Type | FC040-PDA.6K.V8 |
| Article no. | 175792 |
| Weight kg | 17.90 |

FC

for three phase alternating current, 2-2 pole

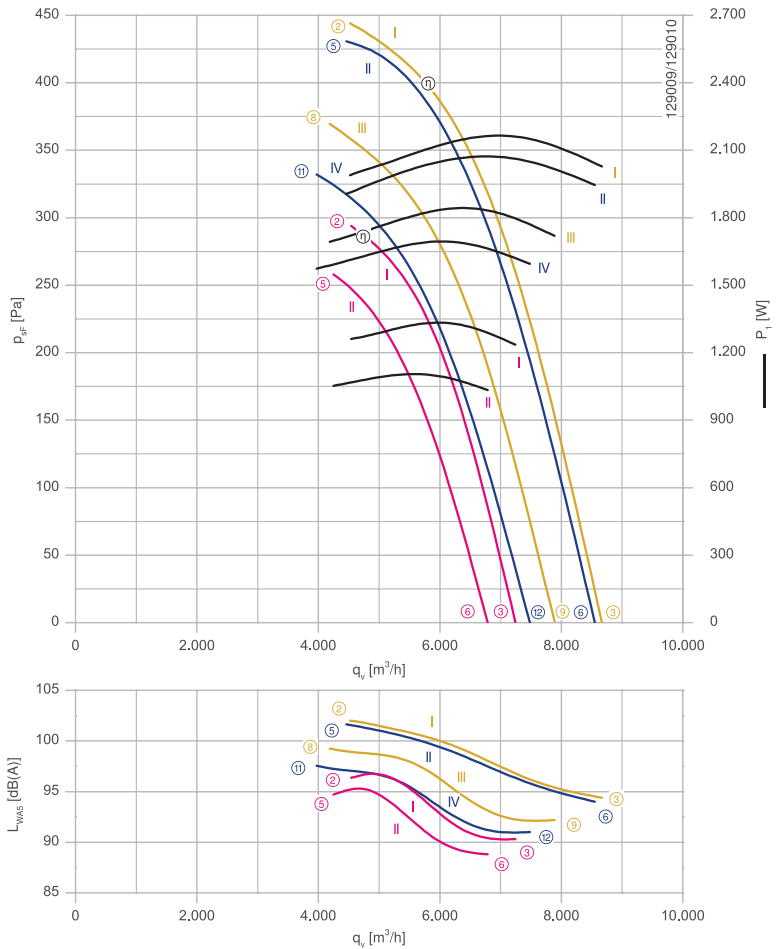
FC040-PD



Description

Motor technology: AC
 Rated voltage U_N :
 3~400 V (Δ/Y) | 3~400 V (Δ/Y) | 3~460 V (Δ/Y) *
 Rated frequency f_N : 50 Hz | 60 Hz | 60 Hz*
 Input power P_i :
 1.35/1.1 kW | 2.10/1.70 kW | 2.20/1.85 kW*
 Rated current I_N :
 2.90/1.75 A | 3.50/2.70 A | 3.40/2.50 A*
 Rated speed n_N :
 2900/2710 min⁻¹ | 3400/2940 min⁻¹ | 3450/3110 min⁻¹*
 Current increase ΔI : 25 % | 40 % | 45 %
 Thermal class: THCL155*
 Min. permitted ambient temperature $t_{R(min)}$: -40 °C
 Max. permitted ambient temperature $t_{R(max)}$:
 70 °C | 70 °C | 70 °C
 Electrical connection: Supply cable lateral 105 cm
 Number of blades: 8
 Degree of protection : IP54
 Motor protection: thermal contact
 Blades: Aluminium, 2 coat paint, jet black
 Rotor: Aluminium, 2 coat paint, jet black
 Conformity: CE
 * Rated data

Characteristic curve



Measured in full bell mouth without guard grille in installation type A according to ISO 5801.

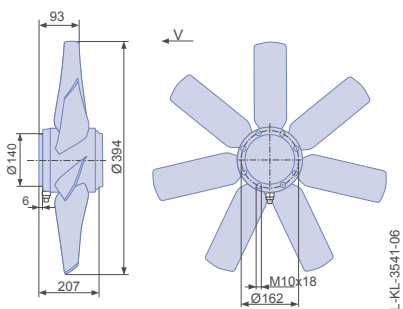
Connection diagram

Page 327
1360-108XA

Dimensions mm



Design A - without mounting




Performance data

| Type | Connection | Characteristic curve | Voltage | Operating point | Current | Input power | Speed | Suction side sound power level L_{WAS} dB(A) |
|---------------|------------|----------------------|---------|-----------------|---------|-------------|------------------------|--|
| | | | U V | | I A | P_1 W | n min ⁻¹ | |
| FC040-PD_6N_8 | Δ | I | 400* | ② | 2.80* | 1250* | 2900* | 96 |
| | | | 400 | ③ | 2.80 | 1250 | 2910 | 90 |
| | Y | II | 400* | ⑤ | 1.65* | 1050* | 2730* | 95 |
| | | | 400 | ⑥ | 1.60 | 1050 | 2730 | 89 |
| | Δ | I | 460* | ② | 3.20* | 2000* | 3470* | 102 |
| | | | 460 | ③ | 3.20 | 2000 | 3470 | 94 |
| | | II | 400* | ⑤ | 3.20* | 1900* | 3430* | 102 |
| | | | 400 | ⑥ | 3.20 | 1950 | 3420 | 94 |
| | Y | III | 460* | ⑧ | 2.30* | 1700* | 3170* | 99 |
| | | | 460 | ⑨ | 2.30 | 1700 | 3160 | 92 |
| | IV | IV | 400* | ⑪ | 2.50* | 1550* | 3010* | 98 |
| | | | 400 | ⑫ | 2.50 | 1600 | 3000 | 91 |

*rated data

Fan ordering information

← Airflow direction V

| | |
|-----------------------|---|
| Design | A |
| Installation position | H/Vu |
| |  |
| Type | FC040-PDA.6N.V8 |
| Article no. | 175793 |
| Weight kg | 22.00 |

FC

for three phase alternating current, 4-4 pole

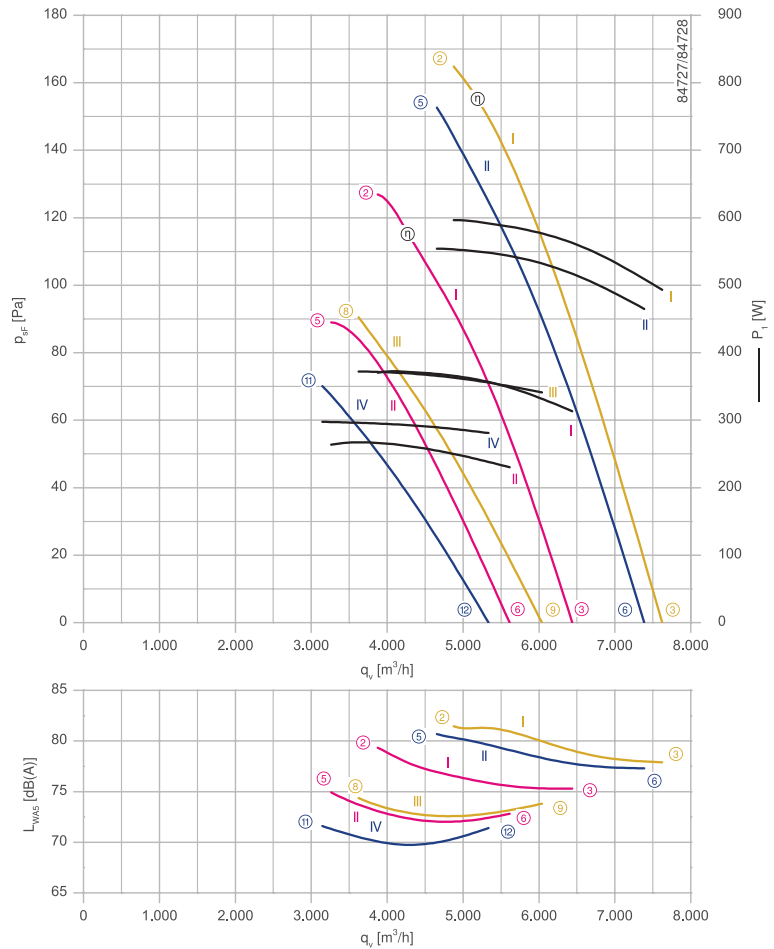
FC045-VD



Description

Motor technology: AC
 Rated voltage U_N :
 3~400 V (Δ/Y) | 3~400 V (Δ/Y) | 3~460 V (Δ/Y) *
 Rated frequency f_N : 50 Hz | 60 Hz | 60 Hz*
 Input power P_i :
 380/260 W | 560/300 W | 600/370 W*
 Rated current I_N :
 0.98/0.52 A | 1.15/0.62 A | 1.15/0.64 A*
 Rated speed n_N :
 1390/1160 min⁻¹ | 1560/1060 min⁻¹ | 1620/1200 min⁻¹*
 Current increase ΔI : 0 % | 0 % | 0 %
 Thermal class: THCL155*
 Min. permitted ambient temperature $t_{R(min)}$: -40 °C
 Max. permitted ambient temperature $t_{R(max)}$:
 70 °C | 60 °C | 60 °C
 Electrical connection: Supply cable lateral-diagonal 105 cm
 Number of blades: 7
 Degree of protection : IP54
 Motor protection: thermal contact
 Blades: Aluminium, 2 coat paint, jet black
 Rotor: Aluminium, 2 coat paint, jet black
 Conformity: CE
 * Rated data

Characteristic curve



Measured in full bell mouth without guard grille in installation type A according to ISO 5801.

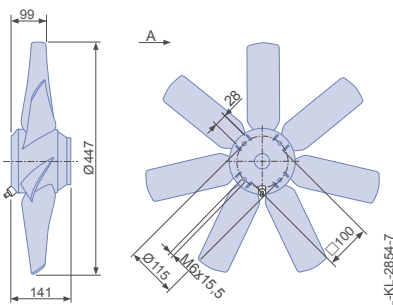
Connection diagram

Page 327
1360-108XB

Dimensions mm

Airflow direction A

Design A - without mounting



Performance data

| Type | Connection | Characteristic curve | Voltage | Frequency | Operating point | Current | Input power | Speed | Suction side sound power level | |
|---------------|------------|----------------------|---------|-----------|-----------------|---------|---------------------|------------------------|--------------------------------|----|
| | | | U V | f Hz | | I A | P _i W | n min ⁻¹ | L _{WAS} dB(A) | |
| FC045-VD_4F_7 | Δ | I | 400* | 50 | ② | 0.96* | 370* | 1390* | 79 | |
| | | | 400 | | | 0.92 | 310 | 1410 | 75 | |
| | | Y | II | | 400* | ⑤ | 0.52* | 260* | 1160* | 75 |
| | 400 | | | | 0.44 | | 230 | 1230 | 73 | |
| | Δ | I | 460* | | 60 | ② | 1.15* | 600* | 1620* | 82 |
| | | | 460 | | | | 1.00 | 500 | 1660 | 78 |
| | | II | ⑤ | 400* | | 1.10* | 560* | 1560* | 81 | |
| | | | | 400 | | 0.98 | 460 | 1610 | 77 | |
| | | Y | III | 460* | | ⑧ | 0.64* | 370* | 1200* | 75 |
| | | | | 460 | | | 0.58 | 340 | 1320 | 74 |
| | IV | ⑪ | 400* | 0.60* | 300* | 1060* | 72 | | | |
| | 400 | | 0.56 | 280 | 1170 | 71 | | | | |


*rated data

Fan ordering information

Airflow direction A

Design A

Installation position H/Vu



Type FC045-VDA.4F.A7
Article no. 175794

Weight kg 7.40

FC

for three phase alternating current, 4-4 pole

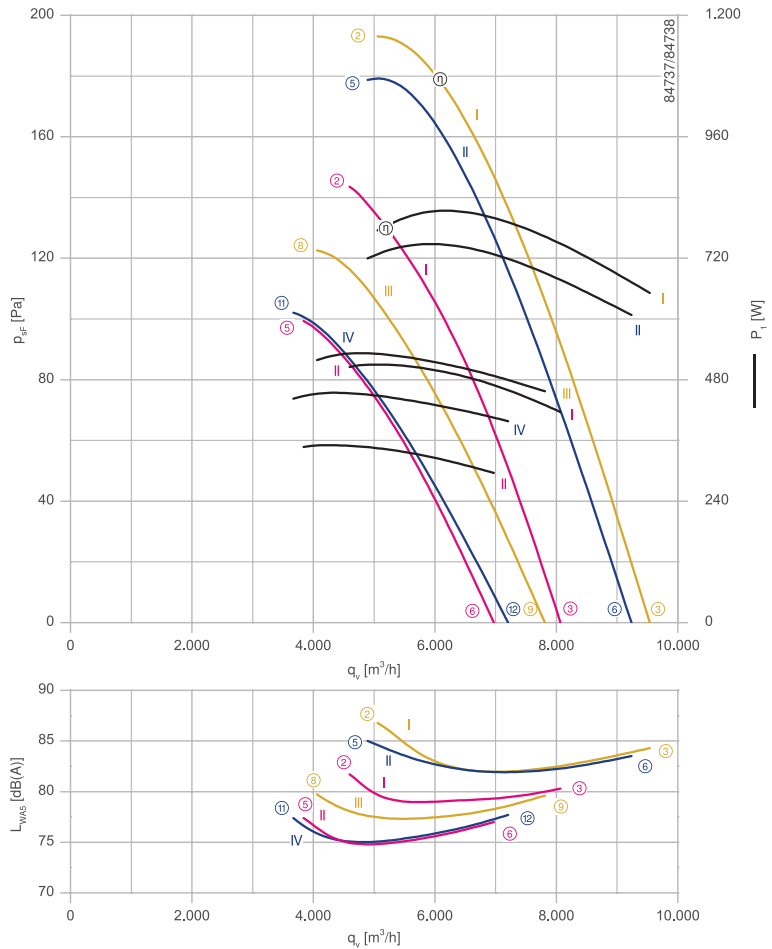
FC050-VD



Description

Motor technology: AC
 Rated voltage U_N :
 3~400 V (Δ/Y) | 3~400 V (Δ/Y) | 3~460 V (Δ/Y) *
 Rated frequency f_N : 50 Hz | 60 Hz | 60 Hz*
 Input power P_i :
 500/350 W | 740/450 W | 800/520 W*
 Rated current I_N :
 1.20/0.60 A | 1.35/0.76 A | 1.35/0.76 A*
 Rated speed n_N :
 1340/1120 min^{-1} | 1500/1120 min^{-1} | 1570/1230 min^{-1} *
 Current increase ΔI : 0 % | 0 % | 0 %
 Thermal class: THCL155*
 Min. permitted ambient temperature $t_{R(\text{min})}$: -40 °C
 Max. permitted ambient temperature $t_{R(\text{max})}$:
 70 °C | 70 °C | 70 °C
 Electrical connection: Supply cable lateral-diagonal 105 cm
 Number of blades: 7
 Degree of protection : IP54
 Motor protection: thermal contact
 Blades: Aluminium, 2 coat paint, jet black
 Rotor: Aluminium, 2 coat paint, jet black
 Conformity: CE
 * Rated data

Characteristic curve



Measured in full bell mouth without guard grille in installation type A according to ISO 5801.

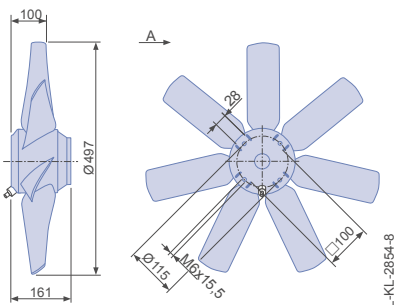
Connection diagram

Page 327
1360-108XB

Dimensions mm

Airflow direction A

Design A - without mounting




Performance data

| Type | Connection | Characteristic curve | Voltage | Frequency | Operating point | Current | Input power | Speed | Suction side sound power level L_{WAS} dB(A) | |
|---------------|------------|----------------------|---------|-----------|-----------------|---------|-------------|------------------------|--|------|
| | | | U V | f Hz | | I A | P_1 W | n min ⁻¹ | | |
| FC050-VD_4I_7 | Δ | I | 400* | 50 | ② | 1.20* | 500* | 1340* | 82 | |
| | | | 400 | | | ③ | 1.10 | 420 | 1370 | 80 |
| | | Y | II | | 400* | ⑤ | 0.60* | 350* | 1130* | 78 |
| | 400 | | | | ⑥ | 0.52 | 300 | 1190 | 77 | |
| | Δ | I | 460* | | 60 | ② | 1.35* | 780* | 1570* | 87 |
| | | | 460 | | | | ③ | 1.20 | 660 | 1610 |
| | | II | 400* | ⑤ | | 1.30* | 720* | 1510* | 85 | |
| | | | 400 | ⑥ | | 1.15 | 600 | 1570 | 84 | |
| | | Y | III | 460* | | ⑧ | 0.76* | 520* | 1250* | 80 |
| | | | | 460 | | ⑨ | 0.66 | 460 | 1340 | 80 |
| | IV | ⑪ | 0.74* | 440* | 1130* | 77 | | | | |
| | | ⑫ | 0.66 | 400 | 1230 | 78 | | | | |


*rated data

Fan ordering information

Airflow direction A 

Design A

Installation position H/Vu



Type FC050-VDA.4I.A7
Article no. 175795

Weight kg 9.50



FC

for three phase alternating current, 4-4 pole

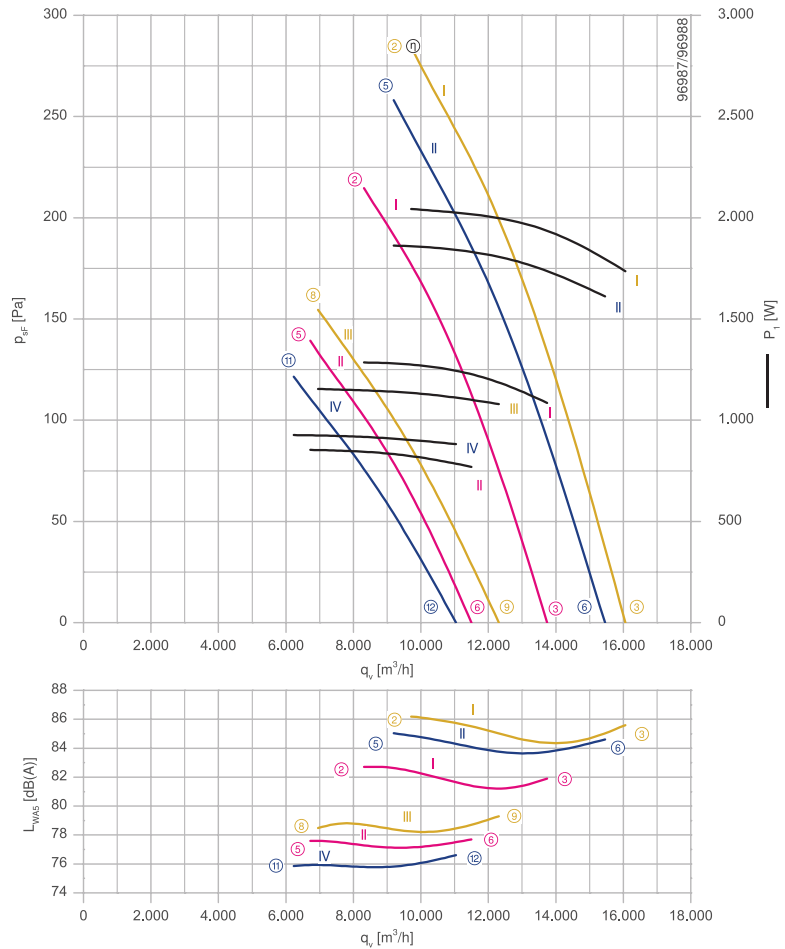
FC056-VD



Description

Motor technology: AC
 Rated voltage U_N :
 3~400 V (Δ/Y) | 3~400 V (Δ/Y) | 3~460 V (Δ/Y) *
 Rated frequency f_N : 50 Hz | 60 Hz | 60 Hz*
 Input power P_i :
 1.30/0.92 kW | 2.00/1.20 kW | 2.10/1.30 kW*
 Rated current I_N :
 2.80/1.65 A | 3.70/2.10 A | 3.70/2.10 A*
 Rated speed n_N :
 1370/1140 min⁻¹ | 1520/1100 min⁻¹ | 1580/1200 min⁻¹*
 Starting current I_A : 13.00/3.80 A | 11.00/3.40 A | 13.00/4.00 A
 Thermal class: THCL155*
 Min. permitted ambient temperature $t_{R(min)}$: -40 °C
 Max. permitted ambient temperature $t_{R(max)}$:
 70 °C | 60 °C | 60 °C
 Electrical connection: Supply cable lateral 105 cm
 Number of blades: 7
 Degree of protection : IP54
 Motor protection: thermal contact
 Blades: Aluminium, 2 coat paint, jet black
 Rotor: Aluminium, 2 coat paint, jet black
 Conformity: CE
 * Rated data

Characteristic curve



Measured in full bell mouth without guard grille in installation type A according to ISO 5801.

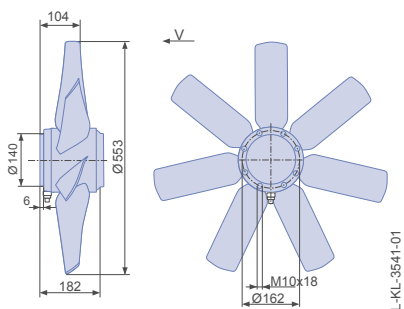
Connection diagram

Page 327
1360-108XA

Dimensions mm



Design A - without mounting




Performance data

| Type | Connection | Characteristic curve | Voltage | Frequency | Operating point | Current | Input power | Speed | Suction side sound power level L_{WAS} dB(A) |
|---------------|------------|----------------------|---------|-----------|-----------------|---------|-------------|------------------------|--|
| | | | U V | f Hz | | I A | P_1 W | n min ⁻¹ | |
| FC056-VD_6K_7 | Δ | I | 400* | 50 | ② | 3.10* | 1300* | 1360* | 83 |
| | | | 400 | | | 2.90 | 1100 | 1380 | 82 |
| | Y | II | 400* | 60 | ⑤ | 1.65* | 860* | 1100* | 78 |
| | | | 400 | | | 1.50 | 760 | 1170 | 78 |
| | Δ | I | 460* | 60 | ② | 3.70* | 2000* | 1570* | 86 |
| | | | 460 | | | 3.30 | 1750 | 1620 | 86 |
| | | II | 400* | 60 | ⑤ | 3.70* | 1850* | 1500* | 85 |
| | | | 400 | | | 3.30 | 1600 | 1560 | 85 |
| | Y | III | 460* | 60 | ⑧ | 2.00* | 1150* | 1150* | 79 |
| | | | 460 | | | 1.85 | 1100 | 1240 | 79 |
| | | IV | 400* | 60 | ⑪ | 1.90* | 920* | 1030* | 76 |
| | | | 400 | | | 1.80 | 880 | 1120 | 77 |

*rated data

Fan ordering information

← Airflow direction V

| | |
|-----------------------|---|
| Design | A |
| Installation position | H/Vu |
| |  |
| Type | FC056-VDA.6K.V7 |
| Article no. | 175796 |
| Weight kg | 18.10 |

FC

for three phase alternating current, 4-4 pole

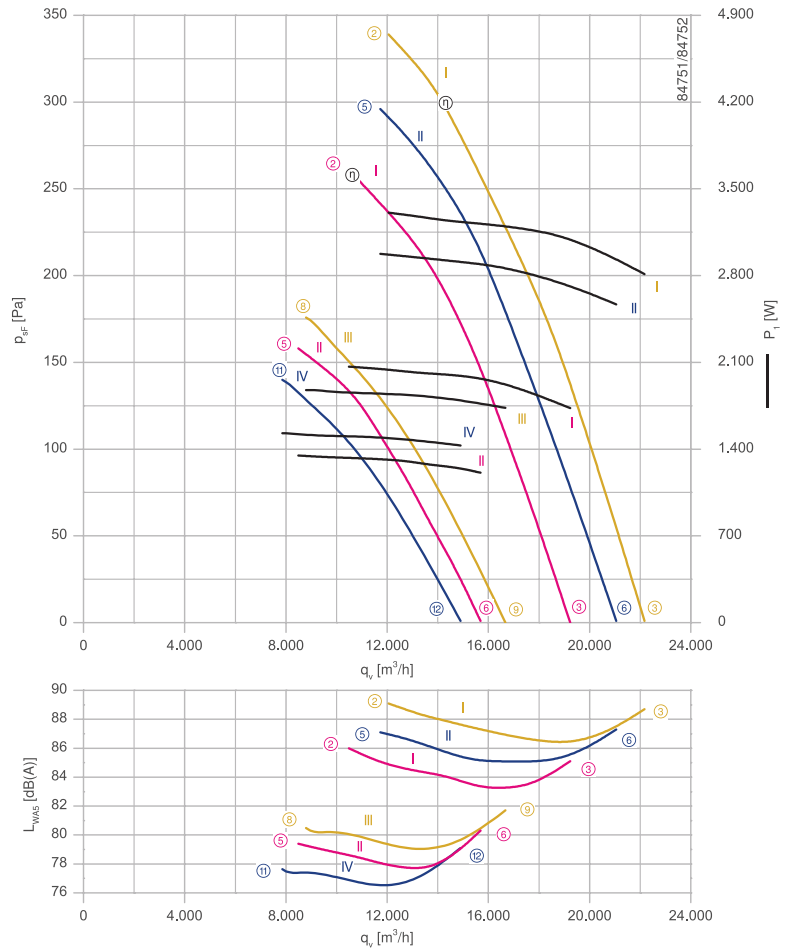
FC063-VD



Description

Motor technology: AC
 Rated voltage U_N :
 3~400 V (Δ/Y) | 3~400 V (Δ/Y) | 3~460 V (Δ/Y) *
 Rated frequency f_N : 50 Hz | 60 Hz | 60 Hz*
 Input power P_i :
 2.10/1.35 kW | 3.00/1.55 kW | 3.30/1.90 kW*
 Rated current I_N :
 3.80/2.30 A | 5.10/2.70 A | 5.00/2.80 A*
 Rated speed n_N :
 1320/1040 min⁻¹ | 1410/970 min⁻¹ | 1500/1080 min⁻¹*
 Starting current I_A : 15.00/4,60 A | 14,00/4,20 A | 16,00/5,00 A
 Current increase ΔI : 5 % | 0 % | 5 %
 Thermal class: THCL155*
 Min. permitted ambient temperature $t_{R(min)}$: -40 °C
 Max. permitted ambient temperature $t_{R(max)}$:
 70 °C | 55 °C | 55 °C
 Electrical connection: Supply cable lateral 105 cm
 Number of blades: 7
 Degree of protection : IP54
 Motor protection: thermal contact
 Blades: Aluminium, 2 coat paint, jet black
 Rotor: Aluminium, 2 coat paint, jet black
 Conformity: CE
 * Rated data

Characteristic curve



Measured in full bell mouth without guard grille in installation type A according to ISO 5801.

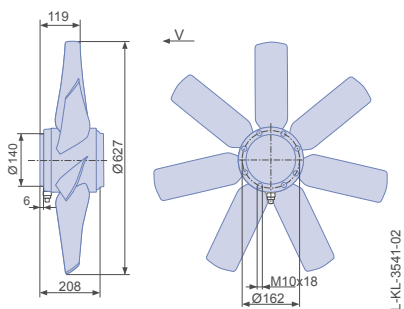
Connection diagram

Page 327
1360-108XA

Dimensions mm



Design A - without mounting




Performance data

| Type | Connection | Characteristic curve | Voltage | Frequency | Operating point | Current | Input power | Speed | Suction side sound power level | | |
|---------------|------------|----------------------|---------|-----------|-----------------|---------|---------------------|------------------------|--------------------------------|-------|----|
| | | | U V | f Hz | | I A | P _i W | n min ⁻¹ | L _{WAS} dB(A) | | |
| FC063-VD_6N_7 | Δ | I | 400* | 50 | ② | 3.80* | 2100* | 1320* | 86 | | |
| | | | 400 | | | 3.30 | 1750 | 1360 | 85 | | |
| | | | 400 | | | 2.20* | 1300* | 1050* | 82 | | |
| | Y | II | 400 | | ⑥ | 2.10 | 1200 | 1110 | 80 | | |
| | | | 460* | | | 60 | ② | 5.00* | 3300* | 1500* | 89 |
| | | | 460 | | | | | 4.40 | 2800 | 1560 | 89 |
| | 400* | ⑥ | 5.00* | 3000* | 1420* | | | 88 | | | |
| | 400 | | 4.40 | 2600 | 1490 | | 87 | | | | |
| | 460* | | III | ⑧ | 2.80* | | 1850* | 1080* | 81 | | |
| | 460 | ⑨ | | | 2.60 | | 1750 | 1180 | 82 | | |
| | 400* | | | | IV | ⑪ | 2.70* | 1500* | 970* | 78 | |
| | 400 | | ⑫ | 2.50 | | | 1450 | 1060 | 79 | | |

*rated data

Fan ordering information

← Airflow direction V

| | |
|-----------------------|---|
| Design | A |
| Installation position | H/Vu |
| |  |
| Type | FC063-VDA.6N.V7 |
| Article no. | 175797 |
| Weight kg | 23.80 |

FC

for three phase alternating current, 4-4 pole

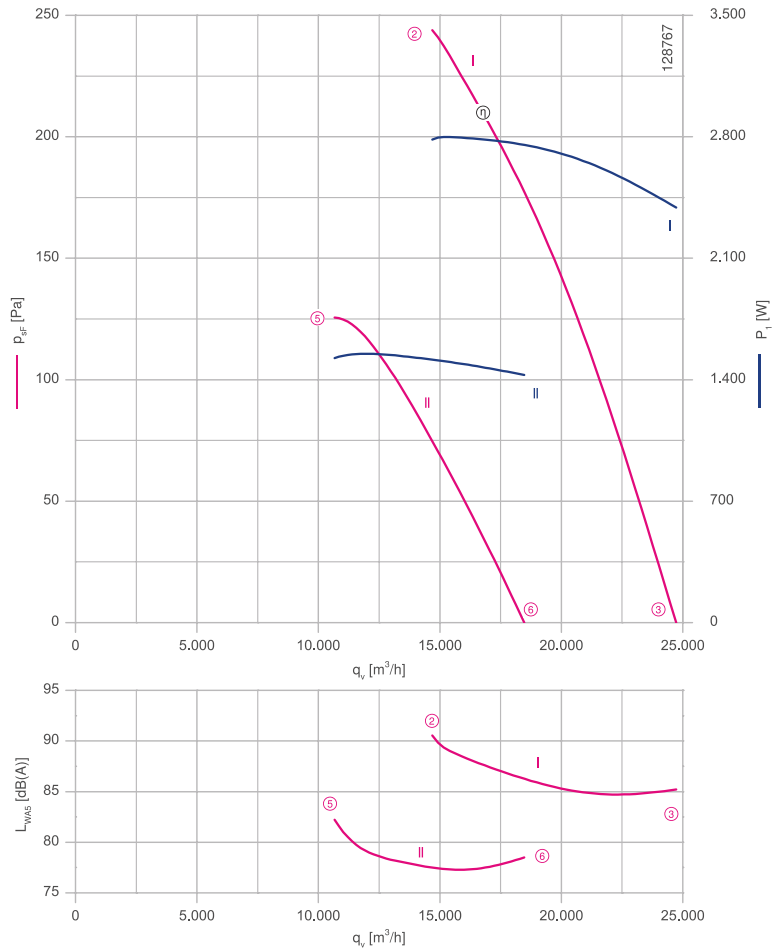
FC071-VD



Description

Motor technology: AC
 Rated voltage U_N :
3~400 V (Δ/Y)*
 Rated frequency f_N : **50 Hz***
 Input power P_i :
2.80/1.60 kW*
 Rated current I_N :
5.40/2.90 A*
 Rated speed n_N :
1280/930 min⁻¹*
 Starting current I_A : **19.00/6.00 A**
 Current increase ΔI : **0 %**
 Thermal class: THCL155*
 Min. permitted ambient temperature $t_{R(min)}$: **-40 °C**
 Max. permitted ambient temperature $t_{R(max)}$:
65 °C
 Electrical connection: Supply cable lateral 105 cm
 Number of blades: 7
 Degree of protection : IP54
 Motor protection: thermal contact
 Blades: Aluminium, 2 coat paint, jet black
 Rotor: Aluminium, 2 coat paint, jet black
 Conformity: CE
 * Rated data

Characteristic curve



Measured in full bell mouth without guard grille in installation type A according to ISO 5801.

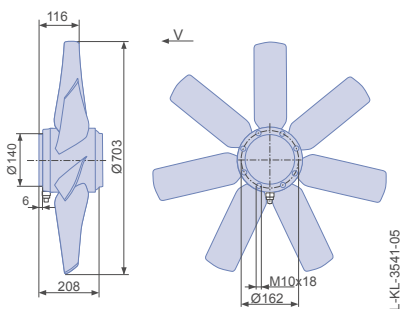
Connection diagram

Page 327
1360-108XA

Dimensions mm

Airflow direction V

Design A - without mounting



L-KL-3541-05


Performance data

| Type | Connection | Characteristic curve | Voltage U V | Operating point | Current I A | Input power P ₁ W | Speed n min ⁻¹ | Suction side sound power level L _{TWA5} dB(A) |
|---------------|------------|----------------------|-------------------|-----------------|-------------------|------------------------------------|---------------------------------|--|
| FC071-VD_6N_7 | Δ | I | 400* | ② | 5.40* | 2800* | 1280* | 91 |
| | | | 400 | ③ | 4.80 | 2400 | 1320 | 85 |
| | Y | II | 400* | ⑤ | 2.70* | 1500* | 940* | 83 |
| | | | 400 | ⑥ | 2.60 | 1450 | 990 | 79 |

*rated data

Fan ordering information

← Airflow direction V

| | |
|---|------------------------|
| Design | A |
| Installation position | H/Vu |
|  | |
| Type | FC071-VDA.6N.V7 |
| Article no. | 175798 |
| Weight kg | 24.10 |

FC

System components

Control technology

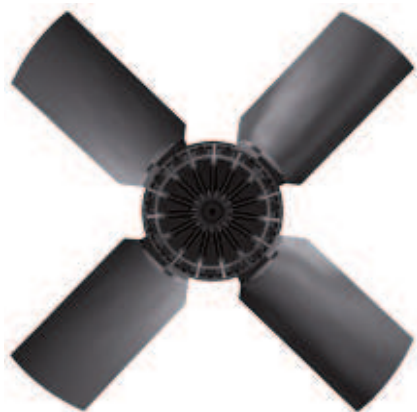
Appendix



FC

for three phase alternating current, 4-4 pole

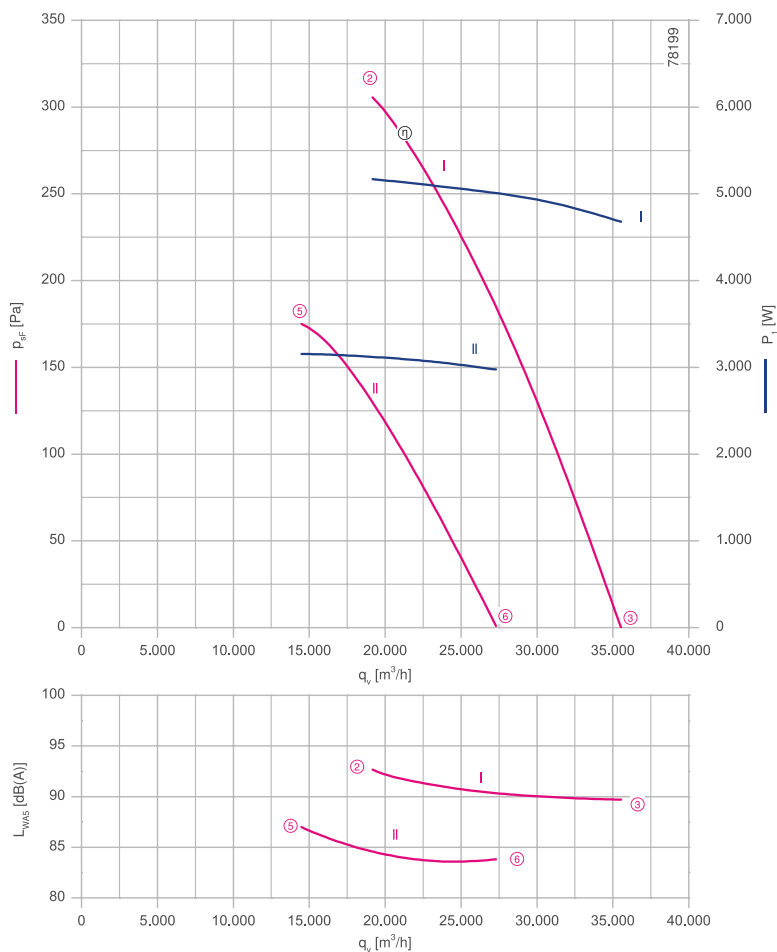
FC080-VD



Description

Motor technology: AC
 Rated voltage U_N :
 3~ 400 V (Δ/Y)*
 Rated frequency f_N : 50 Hz*
 Input power P_i :
 5.20/3.20 kW*
 Rated current I_N :
 8.60/5.00 A*
 Rated speed n_N :
 1250/940 min⁻¹*
 Starting current I_A : 32.00/10.00 A
 Current increase ΔI : 5 %
 Thermal class: THCL155*
 Min. permitted ambient temperature $t_{R(min)}$: -40 °C
 Max. permitted ambient temperature $t_{R(max)}$:
 65 °C
 Electrical connection: Supply cable axial 105 cm
 Number of blades: 4
 Degree of protection : IP54
 Motor protection: thermal contact
 Blades: Aluminium, 2 coat paint, jet black
 Rotor: Aluminium, 2 coat paint, jet black
 Conformity: CE
 * Rated data

Characteristic curve



Measured in full bell mouth without guard grille in installation type A according to ISO 5801.

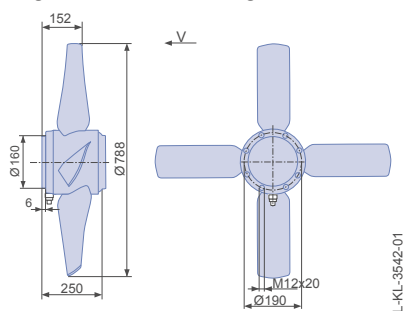
Connection diagram

Page 327
1360-108XA

Dimensions mm

Airflow direction V

Design A - without mounting



Performance data

| Type | Connection | Characteristic curve | Voltage | Operating point | Current | Input power | Speed | Suction side sound power level |
|---------------|------------|----------------------|---------|-----------------|---------|---------------------|------------------------|--------------------------------|
| | | | U V | | I A | P ₁ W | n min ⁻¹ | L _{WA5} dB(A) |
| FC080-VD_7Q_4 | Δ | I | 400* | ② | 8.60* | 5200* | 1250* | 93 |
| | | | 400 | ③ | 7.90 | 4700 | 1280 | 90 |
| | Y | II | 400* | ⑤ | 5.00* | 3200* | 940* | 87 |
| | | | 400 | ⑥ | 4.70 | 3000 | 990 | 84 |


*rated data

Fan ordering information

← Airflow direction V

Design A

Installation position H/Vu



Type FC080-VDA.7Q.V4
Article no. 175799

Weight kg 37.90





System components

Product overview

Inlet ring

Page 302

FC

System components

Control technology

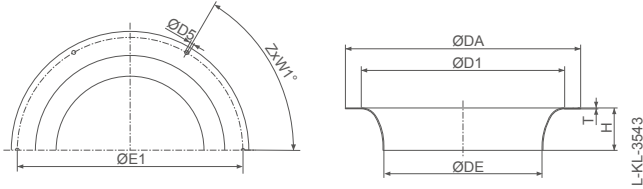
Appendix



System components

Inlet ring for ZArail, Cpro, C- and N-Series full bell mouth

- Material: Sheet steel, galvanised

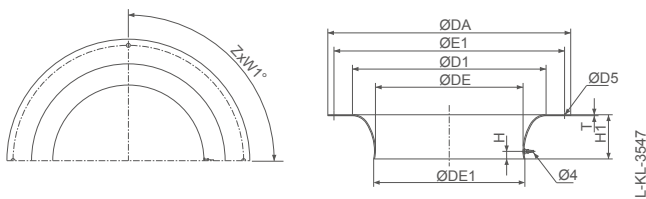


| Size | Article no. galvanized | Article no. coated | DA mm | DE mm | D1 mm | D5 mm | E1 mm | H mm | T mm | ZxW1° (1) | Weight kg |
|------|---------------------------|-----------------------|----------|----------|----------|----------|----------|---------|---------|--------------|--------------|
| RH22 | 00400802 | 00401776 | 253 | 140 | 179 | 8.5 | 233 | 42 | 1.5 | 6x60° | 0.6 |
| RH25 | 00400803 | 00401777 | 277 | 158 | 202 | 8.5 | 257 | 47 | 1.5 | 6x60° | 0.7 |
| RH28 | 00400804 | 00401778 | 303 | 176 | 225 | 8.5 | 283 | 52 | 1.5 | 6x60° | 0.8 |
| RH31 | 00411846 | 00411853 | 343 | 193 | 253 | 8.5 | 317 | 59 | 1.5 | 8x45° | 1.0 |
| RH35 | 00411847 | 00411854 | 378 | 218 | 286 | 8.5 | 352 | 66 | 1.5 | 8x45° | 1.3 |
| RH40 | 00411848 | 00411855 | 418 | 246 | 322 | 8.5 | 392 | 74 | 2.0 | 8x45° | 2.1 |
| RH45 | 00411849 | 00411856 | 464 | 278 | 364 | 8.5 | 438 | 83 | 2.0 | 8x45° | 2.5 |
| RH50 | 00411850 | 00411857 | 514 | 312 | 410 | 8.5 | 488 | 94 | 2.0 | 8x45° | 3.1 |
| RH56 | 00411851 | 00411858 | 564 | 347 | 455 | 8.5 | 538 | 104 | 2.0 | 8x45° | 3.7 |
| RH63 | 00411852 | 00411859 | 634 | 389 | 510 | 10.5 | 600 | 117 | 2.0 | 12x30° | 4.7 |

(1) fastening inlet ring

Full bell mouth with measuring device for volume flow measurement

- Material: Sheet steel, galvanised
- With air flow meter
- Fastening diameter according to DIN EN 12 220



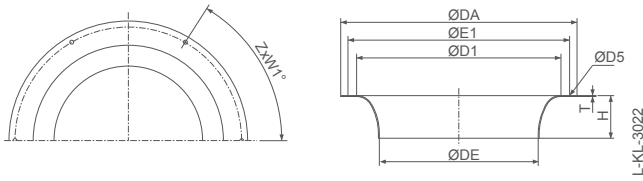
| Size | Article no. galvanized | Article no. coated | DA mm | DE mm | DE1 mm | D1 mm | D5 mm | E1 mm | H mm | H1 mm | T mm | ZxW1° (1) | Weight kg |
|------|---------------------------|-----------------------|----------|----------|-----------|----------|----------|----------|---------|----------|---------|--------------|--------------|
| RH22 | 00401503 | 00401736 | 253 | 135 | 140 | 179 | 8.5 | 233 | 12 | 42 | 1.5 | 6x60° | 0.6 |
| RH25 | 00401504 | 00401737 | 277 | 153 | 158 | 202 | 8.5 | 257 | 12 | 47 | 1.5 | 6x60° | 0.7 |
| RH28 | 00401505 | 00401738 | 303 | 171 | 176 | 225 | 8.5 | 283 | 12 | 52 | 1.5 | 6x60° | 0.8 |
| RH31 | 00411860 | 00412243 | 343 | 193 | 198 | 253 | 8.5 | 317 | 12 | 59 | 1.5 | 8x45° | 1.1 |
| RH35 | 00411861 | 00412244 | 378 | 218 | 223 | 286 | 8.5 | 352 | 12 | 66 | 1.5 | 8x45° | 1.3 |
| RH40 | 00411862 | 00412245 | 418 | 246 | 252 | 322 | 8.5 | 392 | 13 | 74 | 2.0 | 8x45° | 2.1 |
| RH45 | 00411863 | 00412246 | 464 | 278 | 285 | 364 | 8.5 | 438 | 14 | 83 | 2.0 | 8x45° | 2.5 |
| RH50 | 00411864 | 00412247 | 514 | 312 | 320 | 410 | 8.5 | 488 | 16 | 94 | 2.0 | 8x45° | 3.1 |
| RH56 | 00411865 | 00412248 | 564 | 347 | 355 | 455 | 8.5 | 538 | 18 | 104 | 2.0 | 8x45° | 3.8 |
| RH63 | 00411866 | 00412249 | 634 | 389 | 397 | 510 | 10.5 | 600 | 20 | 117 | 2.0 | 6x60° | 4.7 |

(1) fastening inlet ring

System components

Inlet ring for M-series full bell mouth

- Material: Steel(sheet) galvanized or steel powder-coated RAL
7032 (resistance classe 1)



| Size | Article no. galvanized | Article no. coated | DA mm | DE mm | D1 mm | D5 mm | E1 mm | H mm | T mm | ZxW1° | Weight kg |
|-------|---------------------------|-----------------------|----------|----------|----------|----------|----------|---------|---------|-------|--------------|
| RH22M | 00278352 | 00352266 | 265 | 143 | 187.5 | 7.0 | 250 | 31 | 1.0 | 6x60° | 0.4 |
| RH25M | 00275847 | 00401735 | 240 | 160 | 207.0 | 7.0 | 225 | 39 | 1.0 | 6x60° | 0.3 |
| RH28M | 00275848 | 00280734 | 265 | 180 | 235.0 | 7.0 | 250 | 43 | 1.0 | 6x60° | 0.4 |
| RH31M | 00279152 | 00400327 | 300 | 192 | 255.0 | 7.0 | 285 | 53 | 1.0 | 6x60° | 0.5 |
| RH35M | 00275850 | 00402617 | 338 | 228 | 292.0 | 7.0 | 315 | 58 | 1.0 | 6x60° | 0.6 |
| RH40M | 00275570 | 00279265 | 374 | 257 | 325.0 | 9.0 | 350 | 66 | 1.0 | 6x60° | 0.7 |
| RH45M | 00275571 | 00400383 | 413 | 287 | 364.0 | 9.0 | 390 | 71 | 1.0 | 6x60° | 0.9 |
| RH50M | 00275572 | 00358610 | 456 | 323 | 410.0 | 9.0 | 430 | 79 | 1.0 | 6x60° | 1.1 |
| RH56M | 00278489 | 00602372 | 530 | 361 | 459.0 | 9.0 | 510 | 87 | 1.5 | 6x60° | 2.2 |
| RH63M | 00279305 | 00348113 | 745 | 407 | 510.3 | 11.5 | 720 | 95 | 1.5 | 6x60° | 4.6 |



Control technology

Product overview

| | |
|--------------------------|----------|
| Motor protection concept | Page 306 |
| Add-on modules | Page 307 |
| Operating terminal | Page 316 |

FC

System components

Control technology

Appendix

Motor protection concept

The majority of ZIEHL-ABEGG external rotor motors (excluding ex-motors) are equipped with "TB" thermostats. Standard protective switches or bi-metal actuators in the motor feed line work dependent of current and thus offer only incomplete protection as the current does not allow conclusions to be made about the motor winding temperature under all conditions. In contrast, thermostats are bimetal switches embedded in the motor winding and they can react directly to the motor's winding temperature. They open an electrical contact, as soon as their nominal switch temperature (NST) is attained.



Thermal contact

Fans can be securely protected by ZIEHL-ABEGG motor protection devices. Especially when they are

- speed controlled by voltage,
- operated with excessive switching frequency,
- when they are stalled,
- or exposed to high ambient temperatures.

Thermostats must be connected in the control circuit so that during a malfunction the fans are not independently reconnected after cooling off. ZIEHL-ABEGG devices meet these conditions. Mutual protection of several motors is possible with one protection device. In order to do this, the temperature protectors of the individual motors have to be connected in series. Please pay attention to the fact that all motors are disconnected at the same time in case of a temperature failure in a single motor. In real life applications, motors are grouped, so in case one motor fails it is still possible to run in emergency mode with reduced power. To ensure optimum motor protection we provide motor protection units in various designs.



Add-on modules

AM-MODBUS (-W) for Basic Frequency inverter and ECblue



Pluggable add-on modules for function extension of the "Icontron Basic" and "Fcontrol Basic" frequency inverters without integrated display as well as ECblue motors and fans.
With the AM-MODBUS/-W add-on modules, the devices integrated into MODBUS networks or the A-G-247NW operator terminal can be connected. Parameterization and data polling by radio (with AM-MODBUS-W) are optionally possible.
Whole groups of frequency inverters or ECblue motors and fans that are equipped with these AM-MODBUS add-on modules can be addressed quickly and automatically by a ZIEHL-ABEGG UNIcon control module with MODBUS-Master function. These devices are then controlled conveniently by the UNIcon "master" device.

Equipment/properties

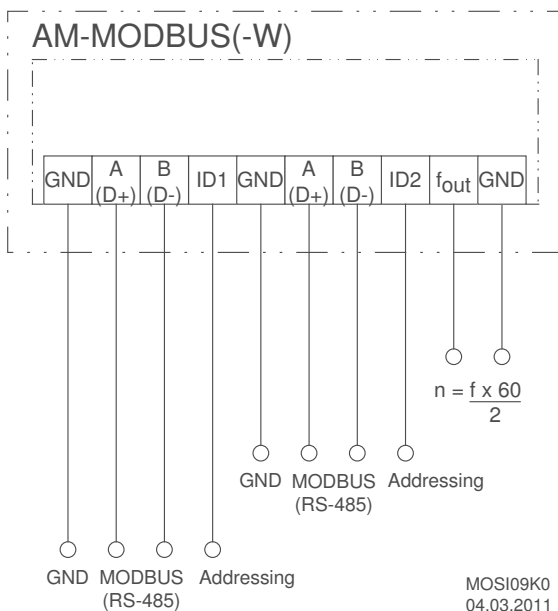
2 x interface RS485:

For integration into a MODBUS RTU network (MODBUS Slave).
With the possibility of automatic addressing by a UNIcon control module with MODBUS-Master function.

Add-on module - AM-MODBUS (-W)

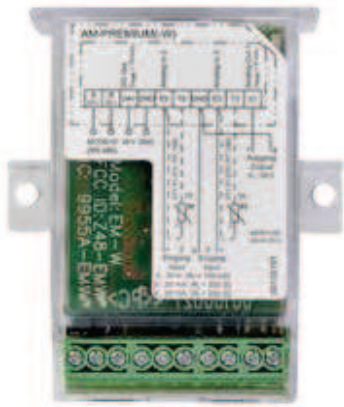
| Type | Article no. | Weight kg |
|-------------|-------------|--------------|
| AM-MODBUS | 349045 | 0.03 |
| AM-MODBUS-W | 349050 | 0.03 |

Connection diagram



Add-on modules

AM-PREMIUM (-W) for Basic Frequency inverter and ECblue



Pluggable add-on modules for function extension of the "Icontrol Basic" and "Fcontrol Basic" frequency inverters without integrated display as well as ECblue motors and fans.

With the AM-PREMIUM/-W add-on modules, the devices can be functionally extended as a control unit. In addition, it is possible to link to MODBUS networks or connect operator terminals (A-G-247NW / AXG-1A / AXG-1AE). Radio parameterization and data polling (with AM-PREMIUM-W) is also possible as an option.

Input for sensors or speed settings through



Setting of the desired speed through device or by external default, e.g. 0...10 V



Connecting pressure sensors (refrigeration), e.g. type MBG.. sensors, measuring range 0...30 bar, 0...50 bar



Connection of thermistors, e.g. sensors type TF.. e.g. active sensor type MTG..



Connecting differential pressure sensors (air conditioning), e.g. type DSG.. sensors, measuring range 0...6000 Pa, acquisition of volume flows up to 65000 m³/h

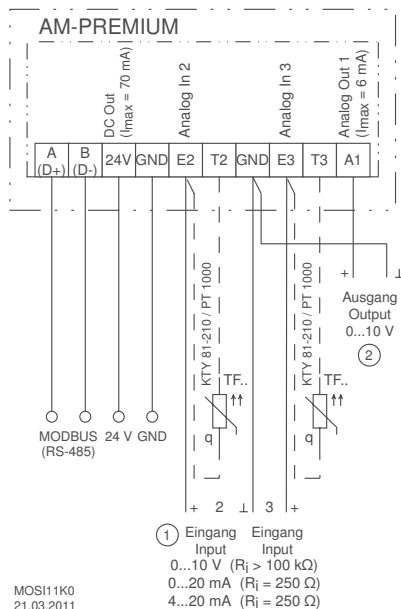


Connecting air velocity sensors, e.g. type MAL.. sensors, measuring range 0...1 m/s, 0...10 m/s



Connecting additional sensors, e.g. combination sensors, CO₂, sensor signal 0...10 V / 0...20 mA / 4...20 mA

Connection diagram



Equipment/properties

Simple start-up by operating modes:

When an operator terminal is connected to the AM-PREMIUM add-on module plugged into the frequency inverter (for AM-PREMIUM-W via radio), typical operating modes, e.g. for air conditioning, refrigerant or ventilation technology can be selected.

2 analog inputs for sensors or setting signals:

analog input E2 and E3: Setting by operating modes or manually programmable, e.g. 0-10 V, 0,20 mA, 4-20 mA

analog input E3: Programmable, e.g. comparison with sensor E2, difference to sensor E2, average value formation, setpoint setting, setpoint adaptation (e.g. outdoor temperature-dependent) connection of passive thermistors: On E2 and T2, E3 and T3.

1 analog output A1:

Setting by operating modes or manually programmable, e.g. output signal proportional to modulation, output signal proportional to input signal, invertible, 10 V constant voltage, group control.

Functional extension: Digital input D1 in the basic device:

programmable, e.g. enable, switch over setpoint 1 or 2, switch over control or manual mode, switch over E1 or E3, control function inversion, output limitation, external fault, reset, reversal of direction of rotation.

Functional extension: Digital output K1 in the basic device:

setting by operating modes or manually programmable, e.g. operating indication, fault indication, limits, external fault at digital input, activation of external devices, e.g. heating, shutters, group control fans, etc.

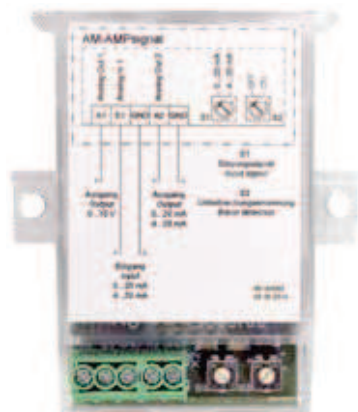
1 x interface RS485:

For linking to a MODBUS RTU network (MODBUS Slave). Manual addressing of the devices in the network

| Add-on module AM-PREMIUM (-W) | | |
|-------------------------------|-------------|--------------|
| Type | Article no. | Weight kg |
| AM-PREMIUM | 349046 | 0.03 |
| AM-PREMIUM-W | 349051 | 0.04 |

Add-on modules

AM-AMPsignal for Basic Frequency inverter and ECblue fans



Pluggable add-on modules for function extension of the "Icontrol Basic" and "Fcontrol Basic" frequency inverters without integrated display as well as ECblue motors and fans.

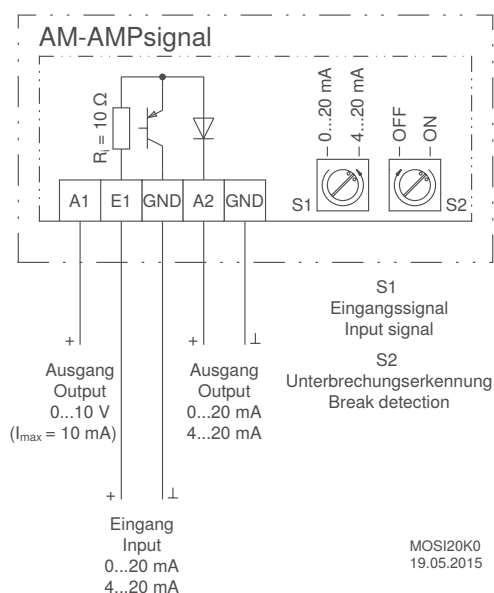
The add-on module AM-AMPsignal transforms a current signal (0-20 mA, 4-20 mA) into a voltage signal (0-10 V). Several basic frequency inverters or ECblue fans can then be controlled by one current signal.

Equipment/properties

2 integrated rotary switches

Setting input signal (4-20mA, 0-20mA) by rotary switch "S1".
Setting fractured wire detection (detection active, not active) by rotary switch "S2".

| Add-on module AM-AMPsignal | | |
|----------------------------|-------------|--------------|
| Type | Article no. | Weight kg |
| AM-AMPsignal | 349065 | 0.03 |



Add-on modules

AM-ETHERCAT for Basic Frequency inverter and ECblue



Pluggable add-on modules for function extension of the “Icontrol Basic” and “Fcontrol Basic” frequency inverters without integrated display as well as ECblue motors and fans. With the AM-ETHERCAT add-on modules the frequency inverters or ECblue fans can be integrated into EtherCat networks.

A device master data filed (ESI file) is required for integration of the device into an EtherCat network. If there is any doubt about the use or procurement of the ESI file for this add-on module, our Control Technology Support Department will be very glad to help.

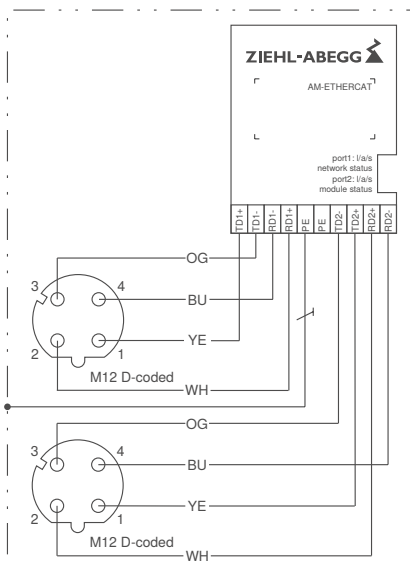
Equipment/properties

4 integrated LED

For status display and error message:
Network status, status module, status port 1 / port 2.

Add-on module AM-ETHERCAT

| Type | Article no. | Weight kg |
|-------------|-------------|--------------|
| AM-ETHERCAT | 349071 | 0.03 |



KT00048C
12.08.2015

Add-on modules

AM-CAN-OPEN for Basic Frequency inverter and ECblue



Pluggable add-on modules for a function extension of the "lcontrol Basic" and "Fcontrol Basic" frequency inverters without integrated display as well as ECblue motors and fans.
With the AM-CAN-OPEN add-on modules the devices can be integrated into CANopen networks.

An Electronic Datasheet (EDS file) is required for a device integration into the CANopen network.
This file is provided free of charge by our Control Engineering Support Department.

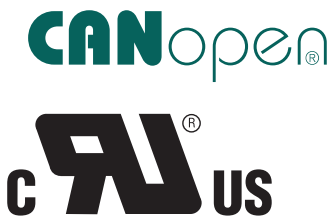
Equipment/properties

3 integrated LEDs

For status display and error message.

3 integrated rotary switches

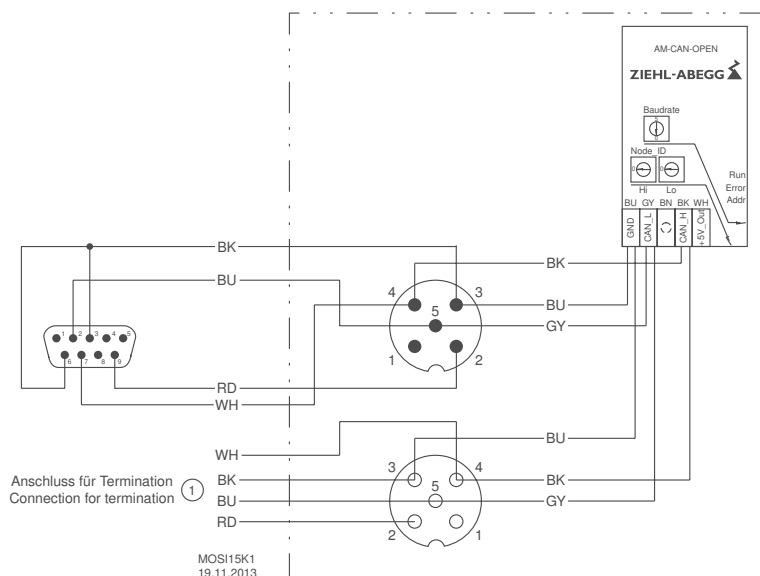
2 rotary switches for manual address setting.
1 rotary switch for setting the baud rate



Add-on module - AM-CAN-OPEN

| Type | Article no. | Weight kg |
|-------------|-------------|--------------|
| AM-CAN-OPEN | 349064 | 0.03 |

Connection diagram



Add-on modules

AM-LON for Basic Frequency inverter and ECblue



Pluggable add-on modules for function extension of the "Icontrol Basic" and "Fcontrol Basic" frequency inverters without integrated display as well as ECblue motors and fans.
With AM-LON add-on modules the devices can be integrated into LON networks.

FC

System components

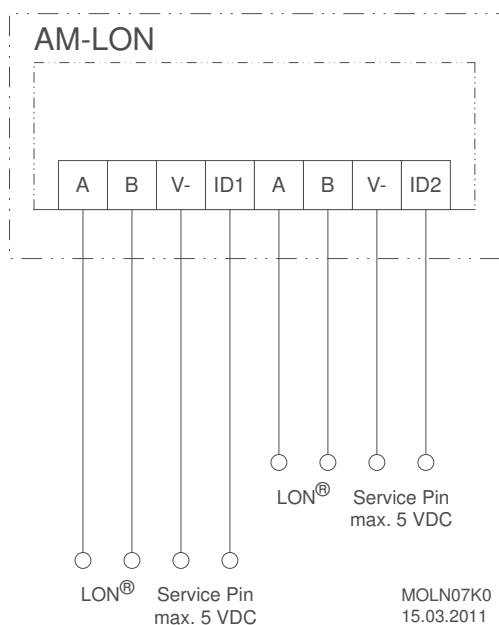
Control technology

Appendix

Add-on module - AM-LON

| Type | Article no. | Weight kg |
|--------|-------------|--------------|
| AM-LON | 349049 | 0.03 |

Connection diagram



Add-on modules

AM-PROFIBUS for Basic Frequency inverter and ECblue



Pluggable add-on modules for function extension of the "lcontrol Basic" and "Fcontrol Basic" without integrated display as well as ECblue motors and fans.
With the AM-PROFIBUS add-on modules the devices can be integrated into PROFIBUS networks.
A device master data file (GSD file) is required for integration of the device into the PROFIBUS network. This is provided free by our Control Engineering Support Department.



Equipment/properties

3 integrated LEDs
For status display and error message.

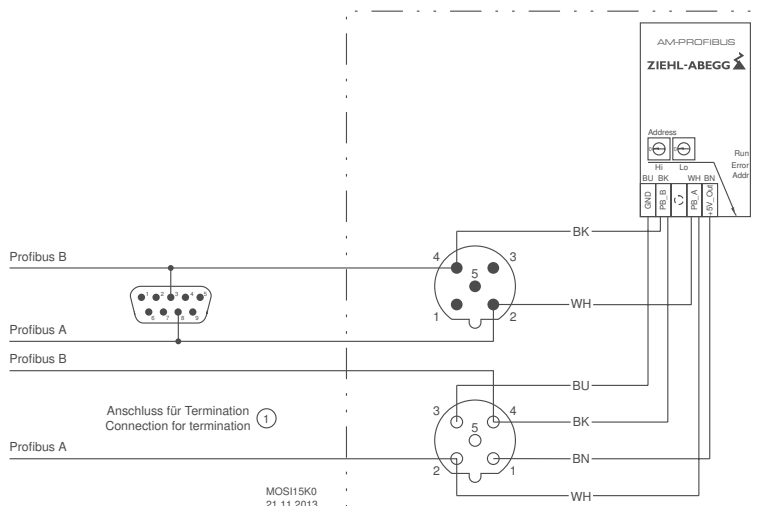
2 integrated rotary switches
For manual address setting.

Automatic baud rate detection

Optionally available connectors
Plug with connecting wires 80 mm:
5-pole, M12, wall installation M16, Article No. 00161258
5-pole, M12, wall installation M20, Article No. 00161263
Socket with connecting wires 80 mm:
5-pole, M12, wall installation M16, Article No. 00161259
5-pole, M12, wall installation M20, Article No. 00161264

| Add-on module AM-PROFIBUS | | |
|---------------------------|-------------|--------------|
| Type | Article no. | Weight kg |
| AM-PROFIBUS | 349063 | 0.03 |

Connection diagram



- FC
- System components
- Control technology**
- Appendix



Hand held terminal

Parameterization of the basic frequency inverters and ECblue



Hand held terminal for parameterization and operation of the "Icontrol Basic" and "Fcontrol Basic" frequency inverters as well as ECblue motors and fans.

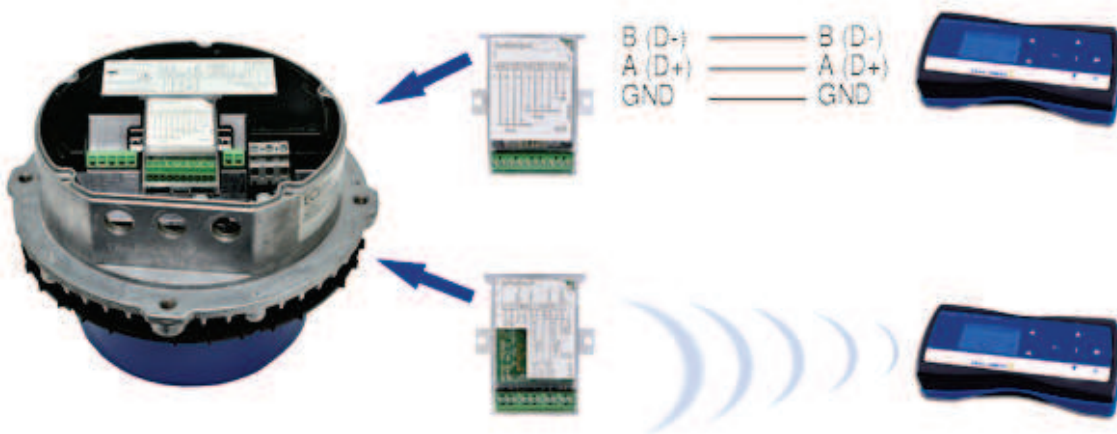
The basic frequency inverters without integrated display and ECblue motors can be extended with AM-MODBUS or AM-PREMIUM add-on modules. The A-G-247NW operator terminal can be connected to this by plugging add-on modules.

When using the AM-MODBUS-W or AM-PREMIUM-W add-on modules, communication with this operator terminal can take place without cables, wirelessly, by radio.

The hand held terminal enables storing of data records and transmission of these to other devices.

Application example

Optional connection of the hand held terminal by cable (connection by interface RS485, MODBUS RTU) or radio communication.



Technical data

- External voltage supply:
by plug power pack (1~ 230 V, 50/60 Hz)
- Internal voltage supply:
3 x Mignon rechargeable batteries (NIMh 1.2 V)

Equipment/properties

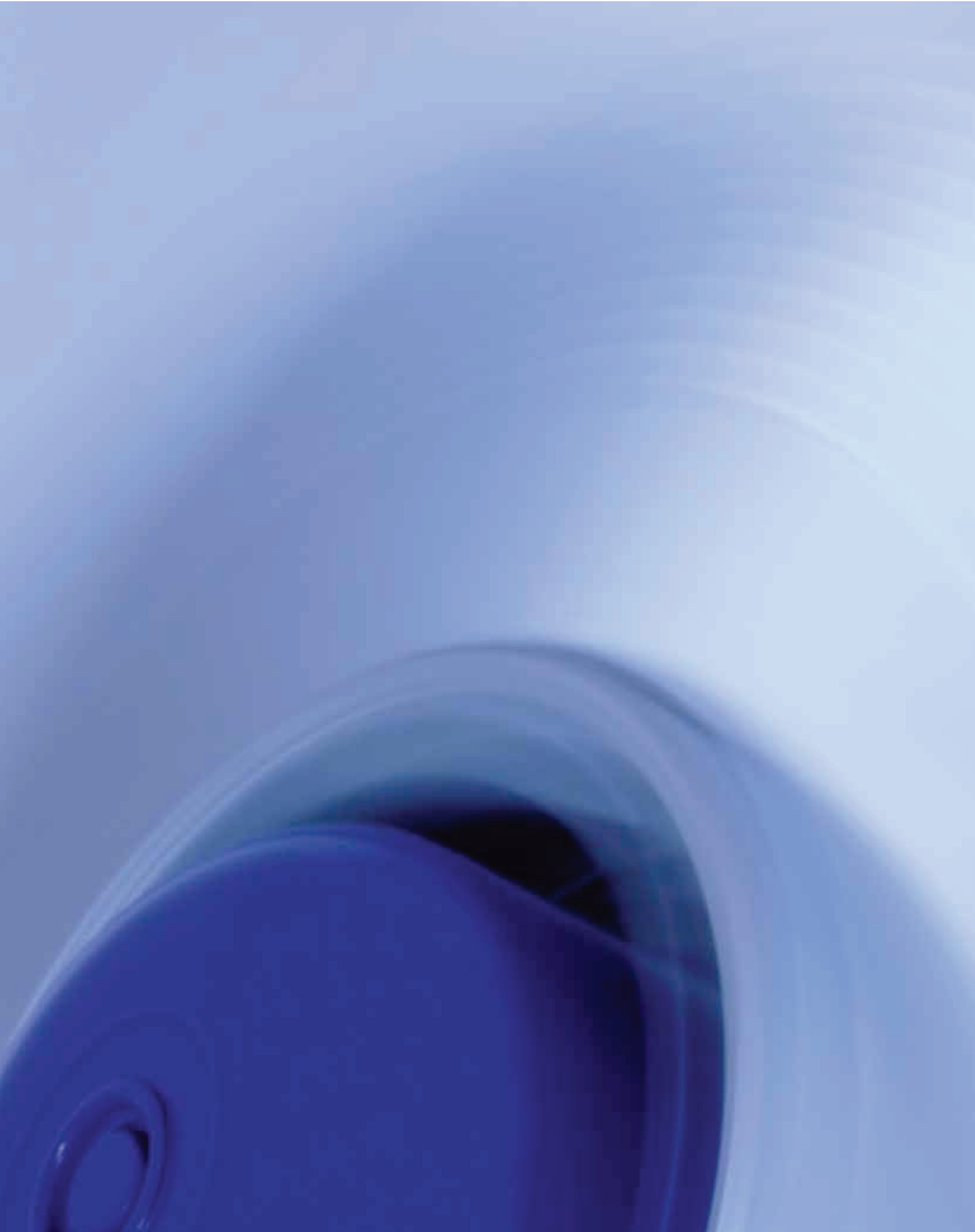
LC multi-function display with plain text display:
Different menu languages can be selected

1 x Mini USB interface:
voltage supply / data transfer with a PC

1 x interface RS485:
for connection to an AM-MODBUS or AM-Premium add-on module.
Frequency inverters, ECblue motors and fans can be parameterized and operated with this. It is possible to save data records and transfer them to these devices.

Data transmission by radio:
for communication with AM-MODBUS-W or AM-Premium-W add-on module.

| Hand held terminal | | |
|--------------------|-------------|------------|
| Type | Article no. | Weight |
| A-G-247NW | 380090 | kg 0.42 |



General notes

Overview

| | |
|------------------------------------|----------|
| Explanation of technical details | Page 320 |
| Aerodynamics and acoustics | Page 321 |
| Electrical connection and motor | Page 324 |
| Connection diagram | Page 325 |
| Installation and usage information | Page 329 |

FC

System components

Control technology

Appendix

Explanation of technical details

Symbols, Units of Measure

| Symbol | Unit | Description |
|----------------|-------------------|---|
| p_{sF} | Pa | Static pressure increase |
| p_{d2} | Pa | Dynamic pressure |
| q_v | m ³ /h | Air flow |
| n_N | min ⁻¹ | Rated speed |
| P_1 | W | Motor input power |
| P_{sys} | W | Motor input power system (including controller) |
| U_N | V | Rated voltage |
| f_N | Hz | Rated frequency |
| I_N | A | Rated current |
| I_A | A | Starting current |
| ΔI | % | Percentage increase of current based on rated current for speed control by voltage reduction |
| C_{400V} | μ F | Capacity |
| $t_{R(min)}$ | °C | Minimum permitted ambient temperature |
| $t_{R(max)}$ | °C | Maximum permitted ambient temperature |
| L_{WA5} | dB | Suction side sound power level |
| η_{statA} | % | Overall efficiency, static according to measurement category A at optimum duty point without losses of electronic speed control according to calculation method ErP-commission regulation No. 327/2011 annex II |
| N_{actual} | - | Actual efficiency grade of the fan based on an electrical input power of 10 kW at its point of optimum energy efficiency |
| N_{target} | - | Target efficiency grade at motor input power 10 kW |

Conversion factors

Pressure

| | | SI-unit | Additional units | | |
|------------------|-----------------------------|------------------------|------------------|----------|-----------------------------|
| | | Pa (N/m ²) | mbar | in.wg | psi (lbs./in ²) |
| SI-unit | Pa (N/m ²) | 1 | 0.01 | 0.004015 | 0.000145 |
| Additional units | mbar | 100 | 1 | 0.401463 | 0.014503 |
| | in.wg | 249.10 | 2.49 | 1 | 0.036127 |
| | psi (lbs./in ²) | 6894.76 | 68.95 | 27.68 | 1 |

Air flow

| | | SI-unit | Additional units | | |
|------------------|-------------------|-------------------|-------------------|----------|----------|
| | | m ³ /s | m ³ /h | l/s | cfm |
| SI-unit | m ³ /s | 1 | 3600 | 1000 | 2118.9 |
| Additional units | m ³ /h | 0.000277 | 1 | 0.277777 | 0.588583 |
| | l/s | 0.001 | 3.6 | 1 | 2.1189 |
| | cfm | 0.000472 | 1.698994 | 0.471943 | 1 |

input power

| | | W | kW | hp |
|------------------|---------|------------|---------|---------|
| SI-unit | W (J/s) | 1 | 0.001 | 745.699 |
| Additional units | kW | 1000 | 1 | 0.74569 |
| | hp | 0.00134102 | 1.34102 | 1 |

Temperature

| | | SI-unit | Additional units |
|------------------|----|-----------------|------------------|
| | | °C | °F |
| SI-unit | °C | 1 | (°C × 1.8) + 32 |
| Additional units | °F | (°F – 32) / 1.8 | 1 |



Aerodynamics and Acoustics

Measurement method

The characteristic curve diagram shows the pressure increase Δp_{sf} in Pa as a function of the volume flow rate q_v in m³/h.

Technical conditions of supply

The specified performance data meet the requirements for accuracy class AN4 for AC fans and accuracy class AN3 for ECblue fans in line with **DIN 13348** and apply to the rated data and air performance curves at the rated voltage. The continuous line in the characteristic curve represents the optimum reliable operating range for fans.

Fan test bench

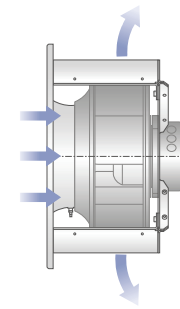
The fan characteristic curves are determined on a combines test bench for acoustics and air performance.

The fan characteristic curves are measured in compliance to **DIN EN ISO 5801**, respectively **AMCA 210-99**. The sound power levels are measured in compliance with **DIN EN ISO 3745** and **ISO 13347-3** using the enveloping surface measuring method.

The figure below shows an example of the measuring setup. The fan intake is installed in the measuring chamber at free intake and free exhaust (installation type A as per **DIN EN ISO 5801** respectively **AMCA 210-99**).

Air density

The air temperature and humidity are conditioned during the measurement using heat exchangers and kept largely constant. The characteristic curves shown refer to the measuring density. The mean measuring density is 1.16 kg/m³.

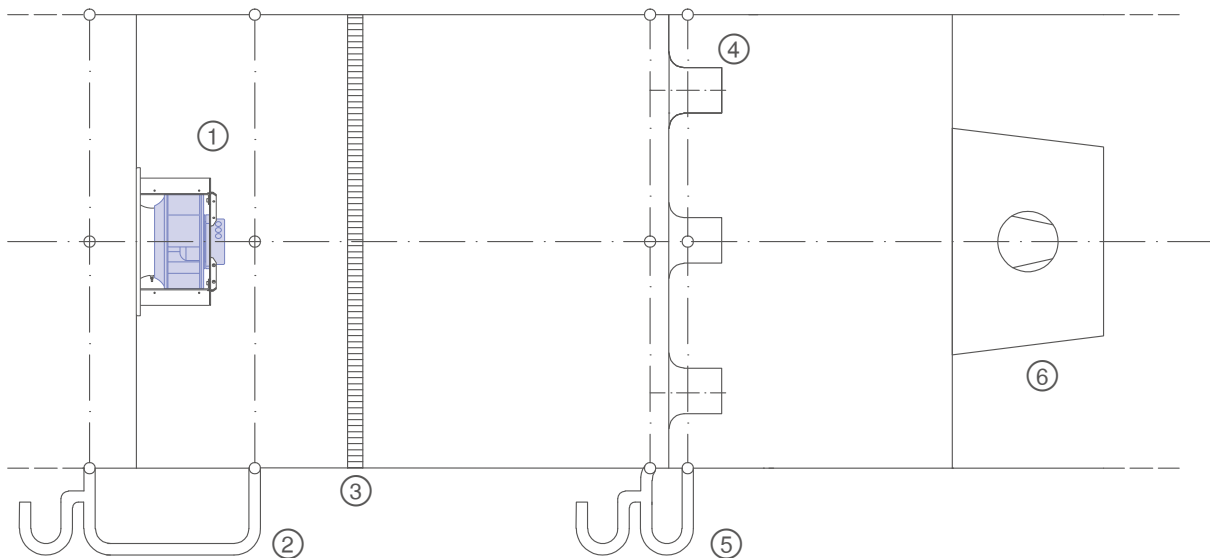


L-KL-3015

Installation type A according to ISO 5801



Technology Centre (InVent)



- ① Test fan
- ② P_{sf}
- ③ Flow straightener
- ④ Nozzles
- ⑤ Δp Differential pressure
- ⑥ Auxiliary fan

Noise level data

Unless otherwise indicated, this catalogue specifies the intake side, A-evaluated sound power levels L_{WA} . The sound power levels are determined by using the enveloping surface method in compliance with ISO 13347-3, accuracy class 1 and/or DIN EN ISO 3745.

This is done by measuring the sound pressure level L_p of the individual third-octave bands at 12 points on the enveloping surface (Fig. 1a). The measured sound pressure levels for the third-octave bands are initially used to calculate the sound power level for the third-octave bands and then the intake side sound power level L_W . To do this, the fans are installed with a free intake (from the measuring chamber) and (air) outlet (into the surrounding area). The standard measurements are carried out without the need for additional parts, e.g. guard grille. The measuring equipment used complies with DIN EN 61672.

Because of the different weighting of the third-octave sound power level, the A-evaluation, which is typically carried out, takes into account the subjective nature of human sound perception. The A-tested sound power level is the standard variable used to assess the sound characteristics of technical equipment.

Calculation of pressure side sound power level and total sound power level

For axial fans, the pressure side sound power level is approximately equal to the intake side level. The total sound power level is calculated by adding up the power from the sound power levels of both the intake and the pressure side (see DIN 45 635 Part 1, Appendix F, DIN EN ISO 3745). Thus, it is approximately 3 dB higher than the intake side sound power level specified in the catalogue.

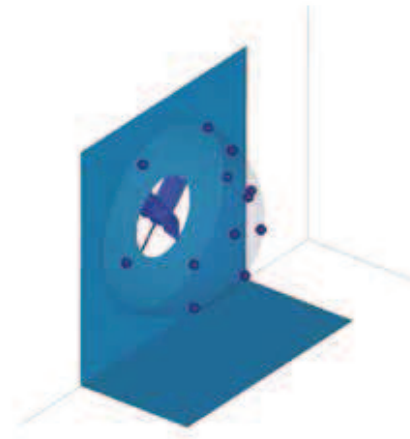


Fig. 1a: Position of microphones in relation to fans



Fig. 1b: Fan test-bench

Determination of total sound power level during the interaction of several sound sources

The total sound power level of several individual sound sources operating concurrently is calculated by adding the power of the individual levels in compliance with **DIN EN ISO 3745**. This equation is the basis for the diagrams in Fig. II and III.

To add up several sound sources with the same level, please see diagram (Fig. II) for complete level information; e.g. 6 identical sound sources operating concurrently results in a total level that is approx. 8 dB higher.

The total sound power level of two sound sources with different levels can be seen in diagram Fig. III. For example, two sound sources whose sound power levels differ by 4 dB produce a total sound power level that is around 1.5 dB higher than that of the louder sound source.

Determination of sound pressure level

The A-tested sound pressure level L_{pA} for rooms with average absorption capacity for a distance of 1m from the fan axis is calculated by subtracting 7 dB from the A sound power level L_{WA} . In most cases, this assumption is correct and provides a sufficient level of accuracy. However, the sound characteristics can be hugely influenced by the individual installation situation.

Absorption of the sound pressure level, depending on the distance with partial reflection, is shown in Fig. IV.

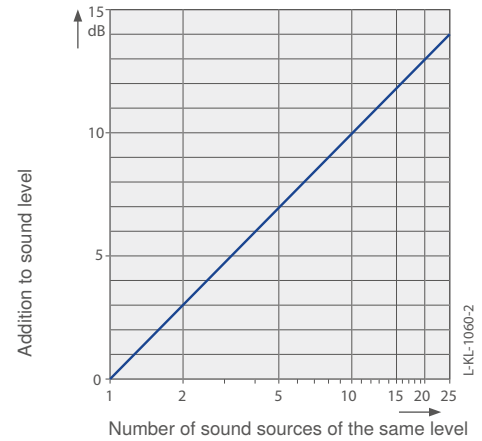


Fig. II: Addition of several sound sources

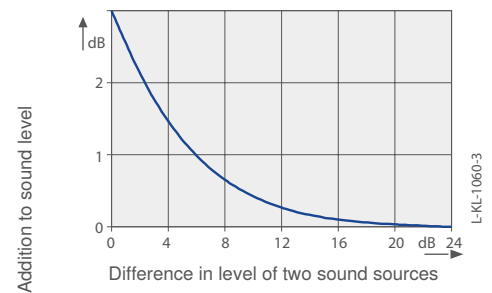


Fig. III: Sound sources of different levels

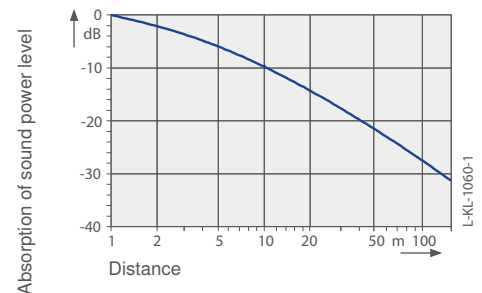


Fig. IV: Reduction of sound pressure level

Electrical connection and motor

Fan drive

The three-phase or single-phase AC external rotor motor integrated into the fan hub meets the requirements for circulating electrical machines set out in **DIN EN 60 034-1**

(VDE 0530 Part 1).

AC technology:

The rated voltage for three-phase current is 400 V, 460V for single-phase AC motors 230 V, 265 V.

EC technology:

The fans with ECblue technology are powered by a highly efficient EC motor with integrated commutation electronics. Depending on the version, the ECblue motors have a broad voltage range.

1~ 200-277 V, 50/60 Hz

3~ 200-240 V, 50/60 Hz

3~ 380-480 V, 50/60 Hz

Operation with frequency inverter

ZIEHL-ABEGG fans are suitable for operation with frequency inverters if the following requirements are met:

All-pole sine filters - as supplied by some inverter manufacturers - must be installed between the inverter and the motor (sinusoid output voltage - phase to phase, phase to protective earth). Request our technical information L-TI-0510 for more details.

du/dt filters (also known as motor or attenuation filters) may not be used instead of sine filters.

When using sine filters, there may be no need for screened motor power cables, metal terminal boxes or a second earth connection on the motor (consult the sine filter supplier).

Electrical connection

Voltage

The single-phase or three-phase AC motors are suitable for 460, 400 V or 230, 265 V and are continuously voltage controllable. Please pay attention to the data sheet.

Current

Motor current is dependent on the installation (i.e. flow situation and nozzle) and operation (i.e. operating point in connection with air density). For the definition of electrical installations, the following value is recommended: $I_{\max} = I_N + \Delta I + \approx 30\%$

Motor connection

Mains connection via terminal box or connecting cable implemented as per dimensional drawings. Cable length tolerance ± 3 cm.

Terminal box

Terminal boxes are made of impact resistant and weather resistant plastic or die-cast aluminium.

All terminal boxes have two M20x1.5 cable inlets.

For FE2owlet and FE2owlet-ECblue axial fans in F design without guard grille, the terminal box is located on the outside on the flange ring. In the F design with guard grille, the terminal box is mounted on the front on the motor.

Connection cable

Heat and UV resistant halogen-free hose cables are used, marked by a colour code or connection designations.

The cable construction complies with VDE 0282 part 804 and is suitable for operating voltages of up to 690 V.

Temperature resistance -50 to +150 °C.

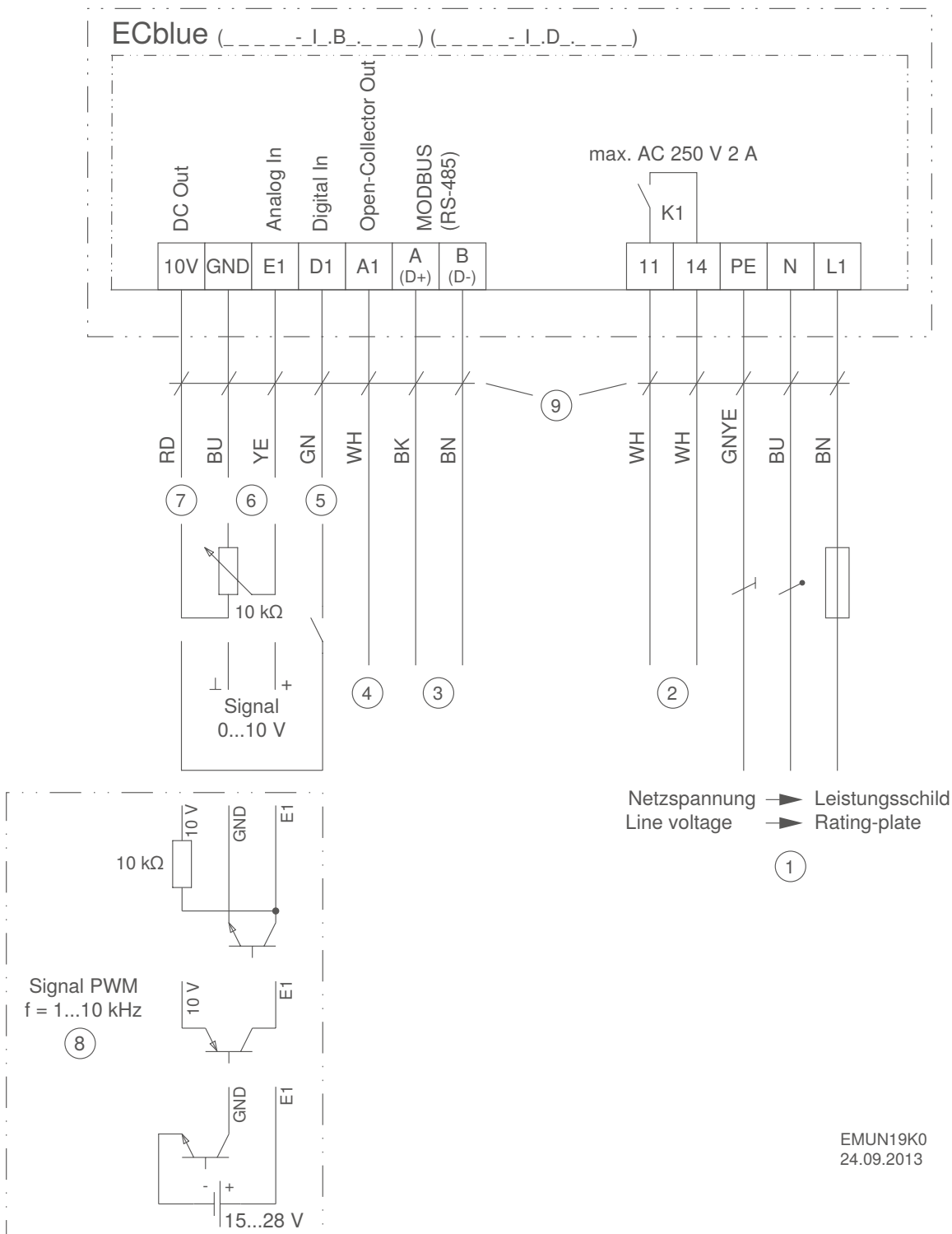
The ends of the connection are stripped for 10 cm and fitted with wire end ferrules.



Connection diagrams

EC technology

1360-384 (EC090)



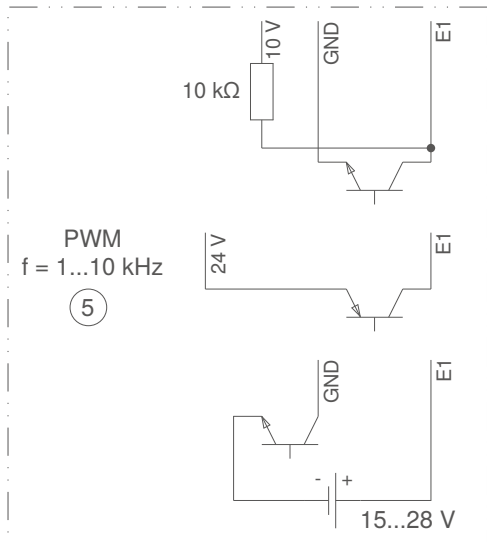
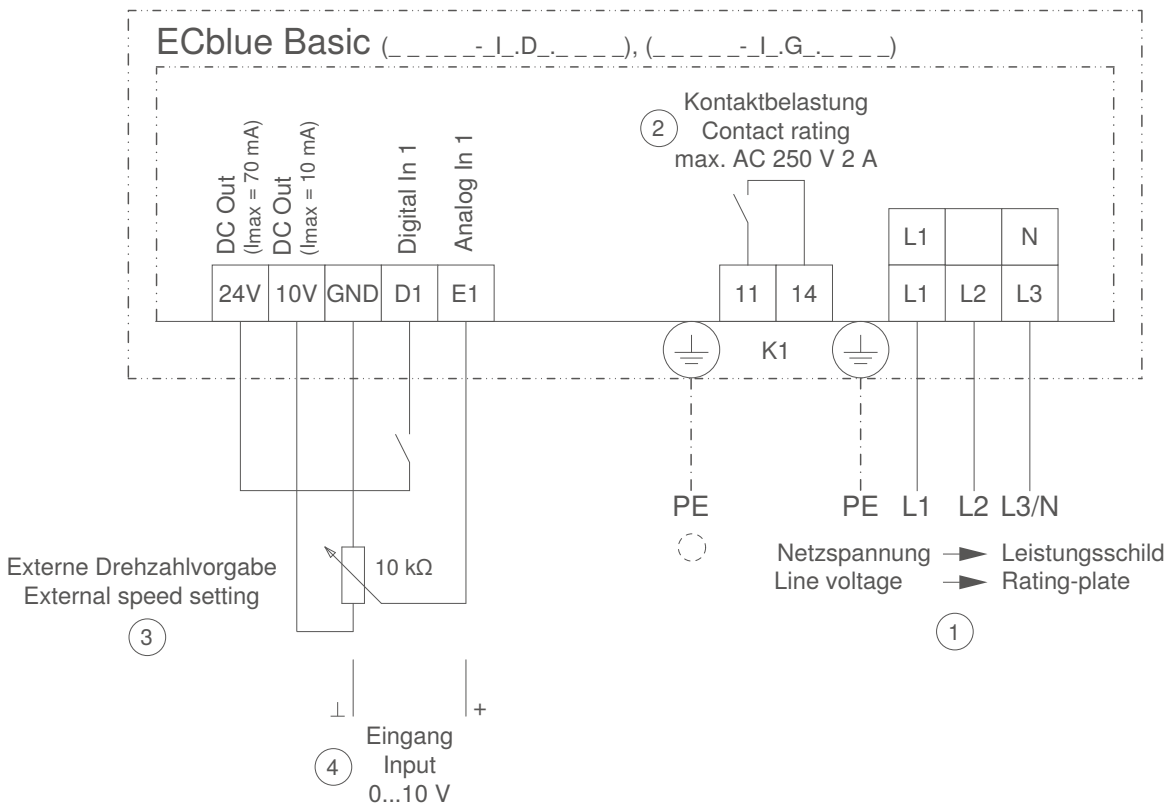
EMUN19K0
24.09.2013

- ① Line voltage see rating-plate
- ② Relay output for fault indication (max. contact rating AC 250 V 2 A)
- ③ MODBUS (RS-485) interface
- ④ Open-Collector output status / tachometer
- ⑤ Digital input for enable
- ⑥ Input for setting speed by 0...10 V signal / potentiometer ($R_1 > 100 \text{ k}\Omega$)
- ⑦ Voltage supply 10 V DC ($I_{\text{max}} 50 \text{ mA}$)
- ⑧ Setting speed by PWM signal ($f = 1 \dots 10 \text{ kHz}$)
- ⑨ Version with connection cables

Connection diagrams

EC technology

1360-403 (EC116 / EC152)



MOEA03K1
 25.05.2012

- ① line voltage
- ② contact load
- ③ external speed setting
- ④ input
- ⑤ PWM

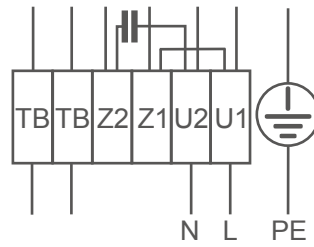


Connection diagrams

AC technology

104XA

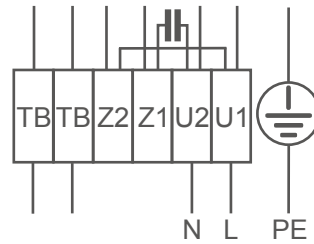
For 1~motor with capacitor and thermostatic switch (if built in).
Airflow direction: V
Direction of rotation: clockwise



Cable colours:
U1 brown
U2 blue
Z1 black
Z2 orange
TB white

104XB

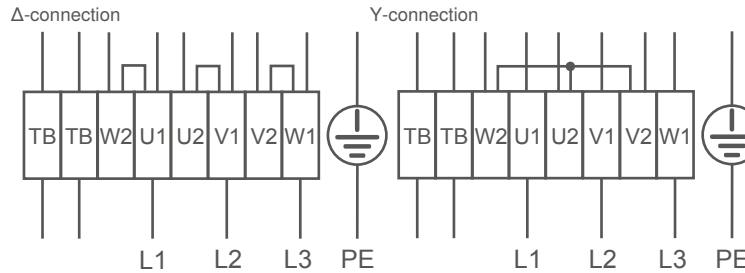
For 1~motor with capacitor and thermostatic switch (if built in).
Airflow direction: A
Direction of rotation: counter clockwise



Cable colours:
U1 brown
U2 blue
Z1 black
Z2 orange
TB white

106XA

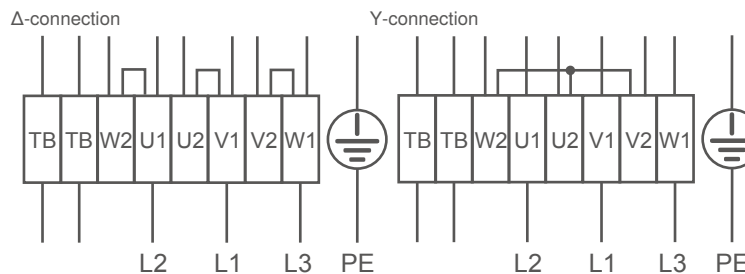
For 3~motor with one speed and thermostatic switch (if built in).
Airflow direction: V
Direction of rotation: clockwise



Cable colours:
U1 brown
V1 blue
W1 black
U2 red
V2 grey
W2 orange
TB white

106XB

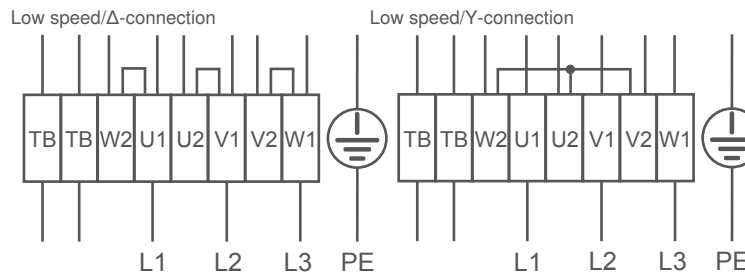
For 3~motor with one speed and thermostatic switch (if built in).
Airflow direction: A
Direction of rotation: clockwise



Cable colours:
U1 brown
V1 blue
W1 black
U2 red
V2 grey
W2 orange
TB white

108XA

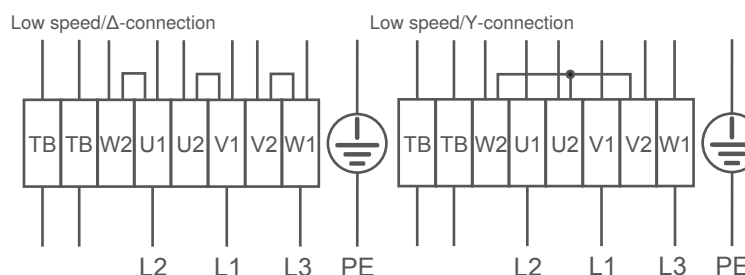
For 3~Motor with 2 speeds (Δ-/Y switch over) and thermostatic switch (if built in). Without bridge when using speed change-over switch.
Direction of air flow: V
Direction of rotation: Clockwise



Cable colours:
U1 brown
V1 blue
W1 black
U2 red
V2 grey
W2 orange
TB white

108XB

For 3~ motor with 2 speeds (Δ-/Y switch over) and thermostatic switch (if built in). Without bridge when using speed change-over switch.
Direction of airflow: A
Direction of rotation: Counter clockwise



Cable colours:
U1 brown
V1 blue
W1 black
U2 red
V2 grey
W2 orange
TB white

Connection diagrams

177X

1~ Motor with condenser and thermostat switch.

FN Series

Airflow direction: A

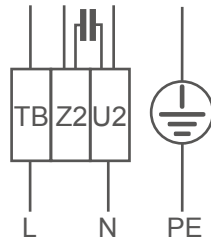
Direction of rotation: counterclockwise rotation (looking at rotor)

FB Series

Airflow direction: A

Direction of rotation: clockwise rotation (looking at rotor)

Other speeds possible with capacitors connected in series.



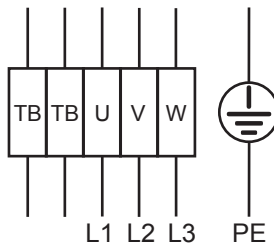
Cable colours:
 U2 blue or grey
 Z2 black
 TB brown

159XA

1~ Motor with 1 speed and thermostats (if installed)

Airflow direction: V

Rotat. direction: clockwise rotation



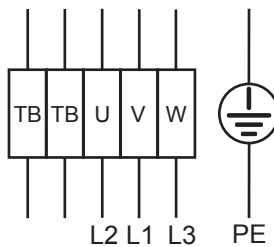
Cable colours:
 U brown
 V blue or grey
 W black
 TB white

159XB

1~ Motor with 1 speed and thermostats (if installed)

Airflow direction: A

Rotat. direction: counter clockwise rotation



Cable colours:
 U brown
 V blue or grey
 W black
 TB white

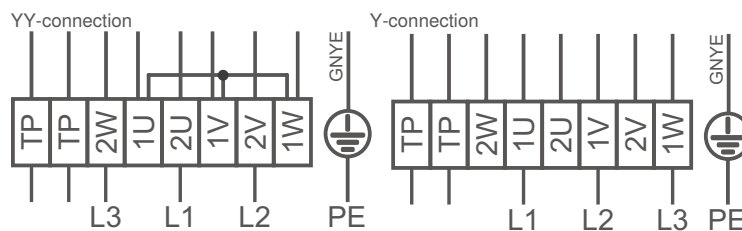
Connection diagram standard motor (2-4 pole)

221XA

3~ motor, 2 speeds (Dahlander YY/Y) with temperature sensor (if built in).

Without bridge when using speed change-over switch.

Direction of rotation: clockwise (looking at suction side)

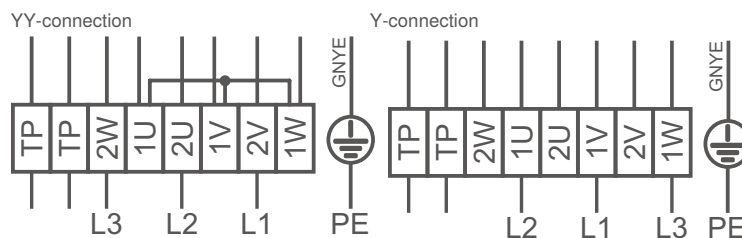


221XB

3~ motor, 2 speeds (Dahlander YY/Y) with temperature sensor (if built in).

Without bridge when using speed change-over switch.

Direction of rotation: counterclockwise (looking at suction side)



Installation and usage information

Measuring device for determining air volume

The active pressure process compares the static pressure before the inlet ring with the static pressure in the inlet ring at the place of greatest constriction (lowest free nozzle cross sectional area). Using the energy conservation principle, the active pressure (differential pressure of the static pressures) can be assigned to the airflow as follows:

| | |
|--------------|---|
| q_v | Air flow in m ³ /h |
| Δp_w | Differential pressure of the static pressures in Pa |
| k | Factor for specific nozzle properties, nozzle factor |
| ρ_{20} | Standard air density with 1.2 kg/m ³ |
| ρ_{BP} | Air density at current operating point in kg/m ³ |

Under normal conditions at 20 °C:

$$q_v = k \cdot \sqrt{\Delta p_w}$$

Nozzle coefficients

| Size | C / Cpro / N / ZArail | M series |
|------|-----------------------|----------|
| 225 | | 57 |
| 250 | 60 | 68 |
| 280 | 75 | 86 |
| 315 | 95 | 96 |
| 355 | 121 | 142 |
| 400 | 154 | 172 |
| 450 | 197 | 217 |
| 500 | 252 | 274 |
| 560 | 308 | |
| 630 | 381 | |

$\rho = 1.20 \text{ kg/m}^3$

Example:

If an active pressure of 700 Pa is measured for size ER63C, the air flow can be calculated as follows, using this simplified formula:

$$q_v = k \cdot \sqrt{\Delta p_w} = 381 \cdot \sqrt{700} = 10080 \text{ m}^3/\text{h}$$

The corresponding active pressure / air flow characteristic curves can be downloaded from our website in the Download section under Product Information.

The nozzle factors (k factors) were determined under laboratory conditions and with an undisturbed supply. If intake guard grilles are used (fitted in front of the inlet nozzle), these nozzle factors cannot be used for air flow determination because of a change in the supply flow and other static pressures.

Notes pertaining to the measuring method

The measured values, which were determined using the active pressure method, are subject to a tolerance of +/- 8.0% as they pertain to the airflow result. This tolerance is reached above a minimum air velocity of approx. 29.53 ft/s at the place of greatest constriction.

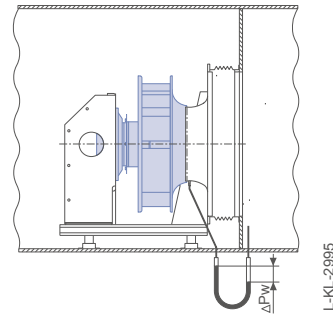
The tolerances cannot be clearly quantified below this minimum air velocity.

This airflow measuring method is only suitable for acceptance measurements on site.

For a more accurate airflow determination in the existing installation setup, a counter calibration of the airflow has to be carried out on site to measure the active pressure. The nozzle factors determined during this process apply exclusively to this installation setup.

Under fluctuating air conditions:

$$q_v = \sqrt{\frac{\rho_{20}}{\rho_{Bet}}} \cdot k_{20} \cdot \sqrt{\Delta p_w}$$



Installation information

Centrifugal fans

Distances to other components

Distance on the suction side: $LA \geq 0.5 \times DSa$

In the case of disturbance flow (per example curved pipe at the suction side, flaps etc.): $LA \geq 1 \times DSa$

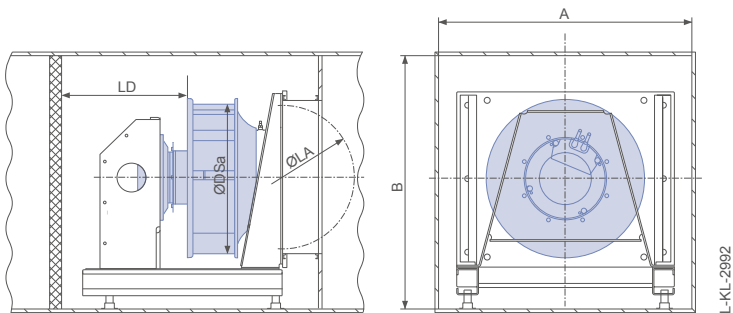
Distance on the duct side:

$LD \geq 1 \times DSa$

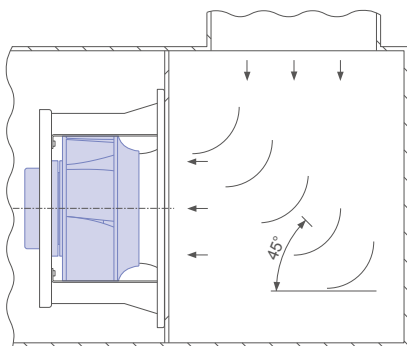
housing wall distances:

$A \geq 1.8 \times DSa$; $A = B$ for air flow conditions without loss

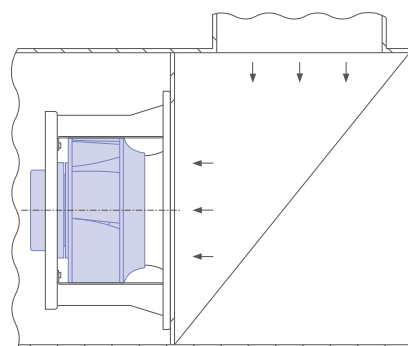
$A \geq 1.4 \times DSa$; $A = B$ for air flow conditions almost without loss regarding to operating point but acoustical losses



Additional baffle plates **must be** fitted in the suction chamber over the whole width of the AHU if there is a 90° change of direction before the intake.



Baffle plates as a 1/4 circle

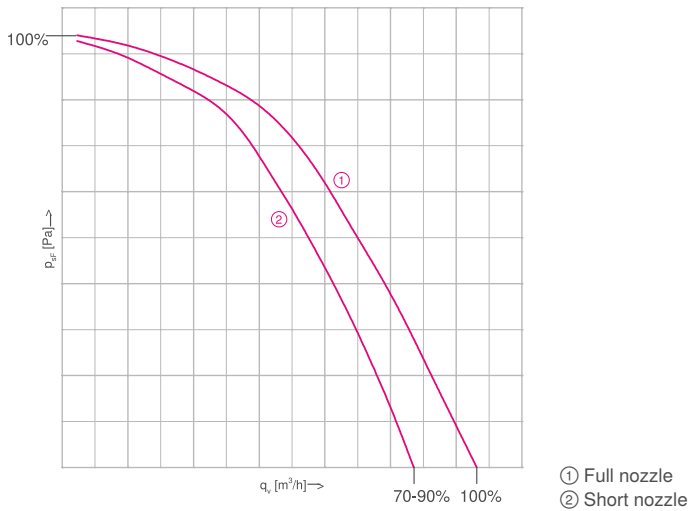


Baffle plate as a sheet metal mounted in an angle



Installation information

Influence of a short bell mouth



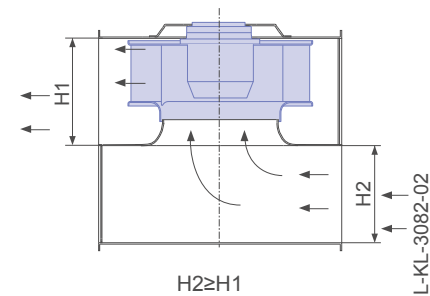
Comparison of characteristic curves

Influence of bell mouth shape
The airflow changes, when using a different bell mouth geometry.
Shown on comparison short bell mouth to full bell mouth.

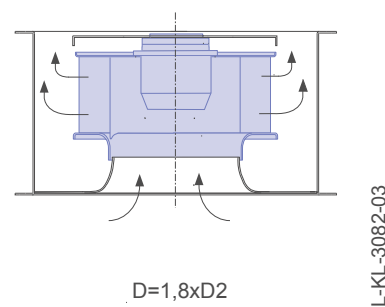
Installation example

Guard grills

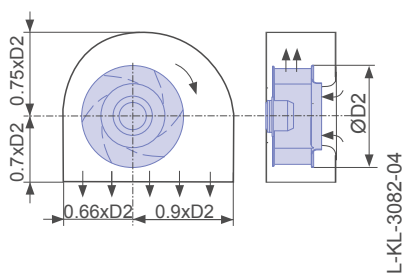
The fans are not ready-for-use products, but have been designed as components for air conditioning, ventilation, and exhaust air removal systems for equipment installation. They do not come equipped with built-in accidental contact-protection. They may only be operated after being installed in accordance with their intended use and all necessary safety devices have been attached and connected. If air intake and exhaust vents are freely accessible, protective devices corresponding to DIN EN ISO 13857 must be attached to the fan.



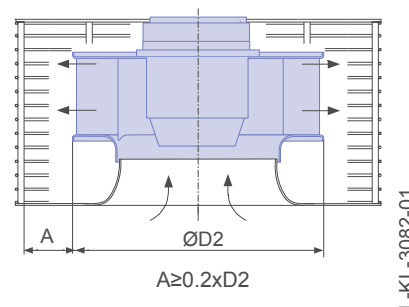
Switch cabinet ventilation



Pipe fan



Centrifugal fan RH_M with semi-scroll housing



Duct fan

Installation information

Axial fans

Airflow conditions

When installing fans in the devices, favourable airflow conditions must be maintained; this also applies to compact designs.

The following installation recommendations (Fig. I and II) indicate the required minimum distances.

Fig. I free air intake, connected to outlet side

Fig. II free air outlet, connected to intake side

Fig. III Air inlet nozzles

Please observe recommended gap s between fan blade and inner edge of nozzle

Fig. IV Influence of nozzle shape, comparison of characteristic curves (Fig. IV)

- ① Full nozzle (Design Q)
- ② Short nozzle, see Accessories

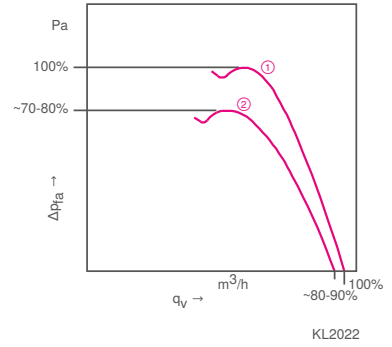
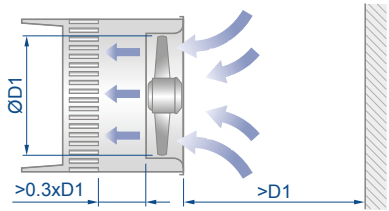
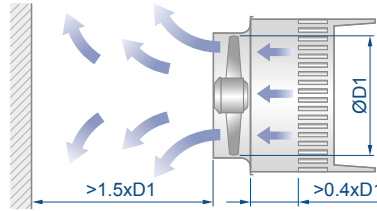


Fig. IV



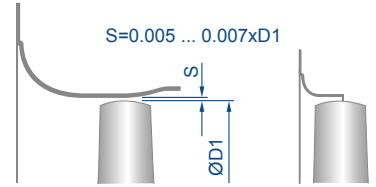
L-KL-2508

Fig. I



L-KL-2508/1

Fig. II



L-KL-2507

Fig. III



General notes

The information and data contained in this catalogue were composed to the best of our best ability and do not absolve the user from its duty to check the suitability of the products with respect to its intended application.

The customer is obligated to inform the supplier about general information concerning the intended use, the type of installation, the operating conditions and any other conditions that need to be taken into consideration if the order is not based on catalogue information.

ZIEHL-ABEGG SE reserves the right to make design changes, which are used for continuous technical improvement.

This catalogue contains information for your guidance. No guarantee is provided with regard to the accuracy of all information and no legal claims may be derived from this. Reproduction of this information, or extracts thereof, is permitted only with written approval.

Copyright

ZIEHL-ABEGG SE reserves in its entirety the copyright of this catalogue. The catalogue is intended for proper use as intended and neither the catalogue, its content nor extracts may be passed on to third parties without our express written consent.

The Royal League



© ZIEHL-ABEGG SE - 00704341 - EN - MA - 01/2017 - 1.500 - mauer druck - This catalogue contains information for your guidance. No guarantee is provided with regard to the accuracy of all information and no legal claims may be derived from this. Reproduction of this information, or extracts thereof, is permitted only with written approval.

