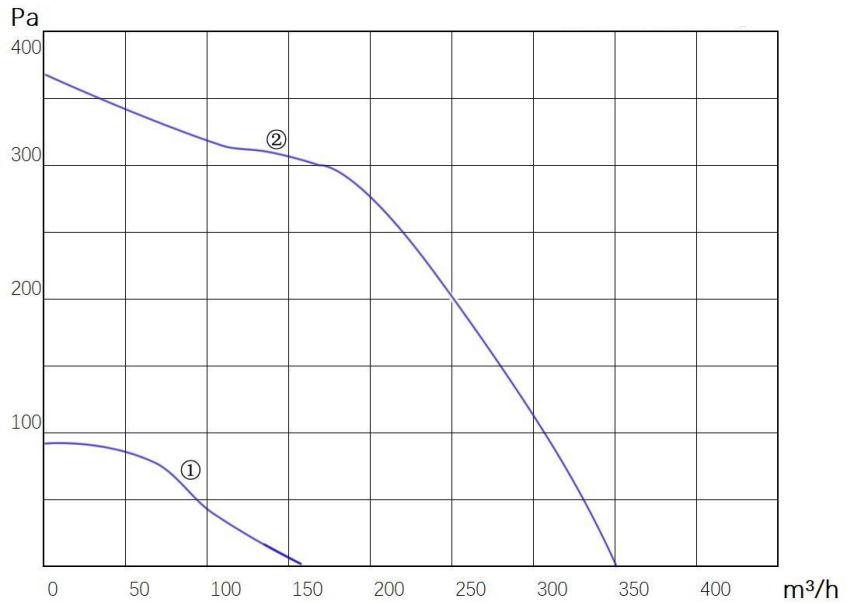


CENTRIFUGAL FAN - FORWARD
AC

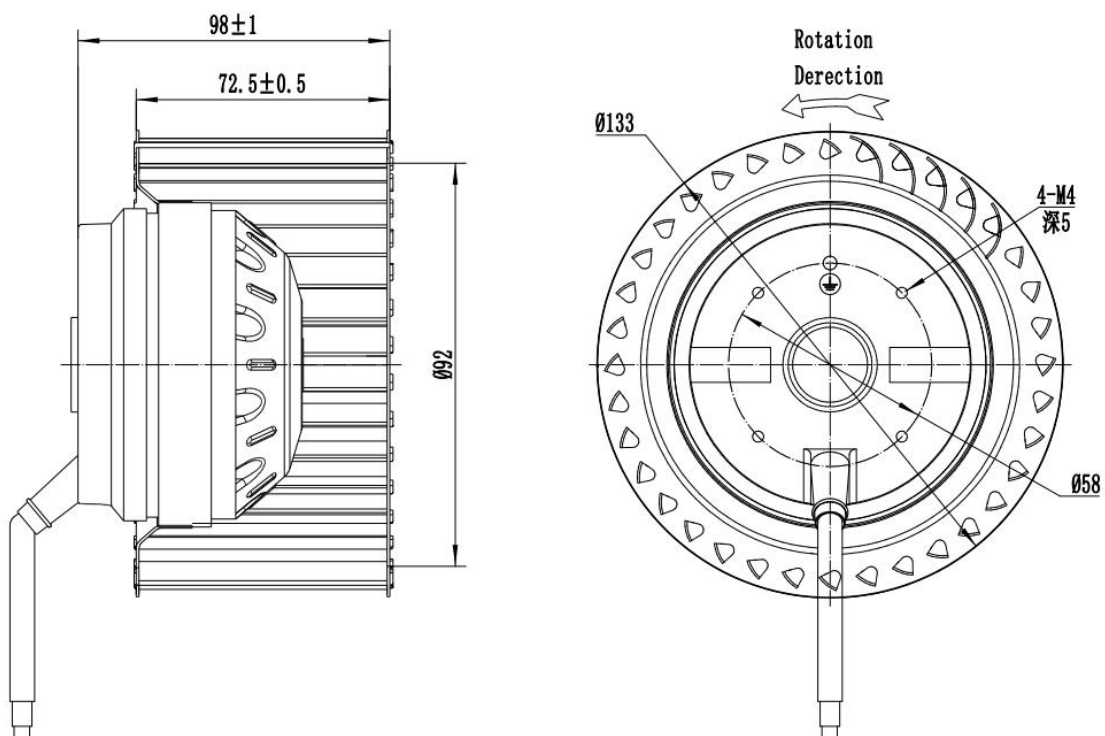
Φ133



Motor Type : AC External Rotor Motor
 Impeller Material : Galvanized Metal Sheet
 Protection Class : IP44
 Insulation Class : F
 Certification : CE/CCC
 Operation Temperature : - 30 °C ~ +60 °C
 Protection : Thermal Overload Protector (TOP)

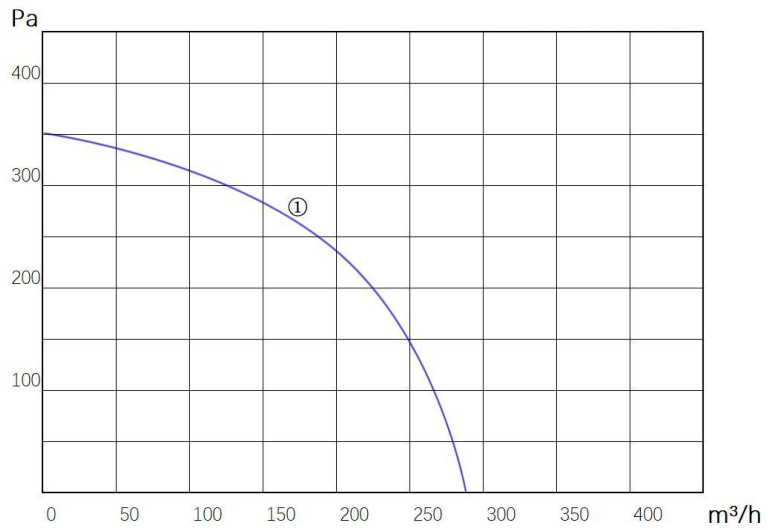
■ Technical Specification

Model	Voltage (v)	Frequency (Hz)	Power (W)	Current (A)	Speed (RPM)	Air Flow (m³/h)	Noise (dBA)	Capacitor (μF)	Curve
LWFA4E-133-092NS-01	220~240	50/60	37	0.18	1410	230	60	2	①
LWFA2E-133-092NS-01	220~240	50/60	104	0.50	2510	330	68	3	②



CENTRIFUGAL FAN - FORWARD
AC

Φ133



Motor Type : AC External Rotor Motor
 Impeller Material : Galvanized Metal Sheet
 Protection Class : IP44
 Insulation Class : F
 Certification : CE/CCC
 Operation Temperature : - 30 °C ~ +60 °C
 Protection : Thermal Overload Protector (TOP)

■ Technical Specification

Model	Voltage (v)	Frequency (Hz)	Power (W)	Current (A)	Speed (RPM)	Air Flow (m³/h)	Noise (dBA)	Capacitor (μF)	Curve
LWFA2E-133-092NS-02	220~240	50	70	0.32	2300	290	61	2	①
	220~240	60	85	0.40	2350	290	63	2	①

