

# LWBE-310 Series

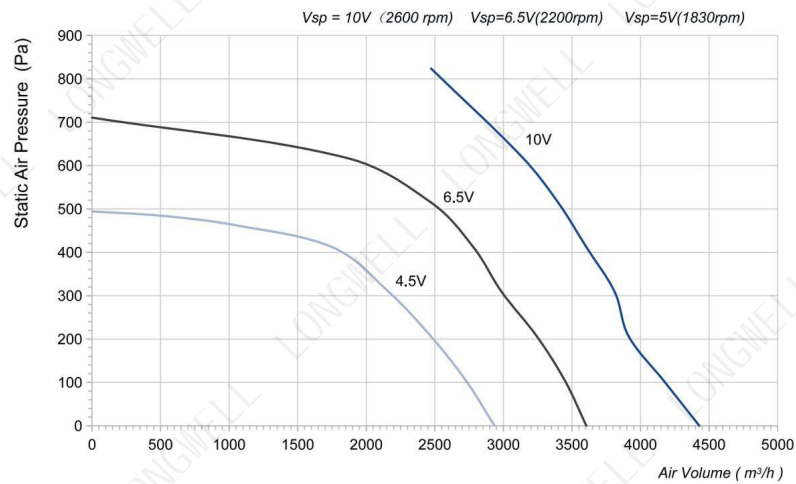
## Product Characteristic

- Impeller Material: Aluminum Alloy
- Supply Voltage: 400V,50/60Hz
- Mode Of Operation: S1
- Protection Class: IP54
- Insulation Class: F
- Operation Temperature: -25°C ~ +60°C
- Technical Feature: Control input 0-10VDC/PWM, Tech output, Locked-Rotor protection, Reverse Polarity Over-voltage protection, Soft Start Protection.

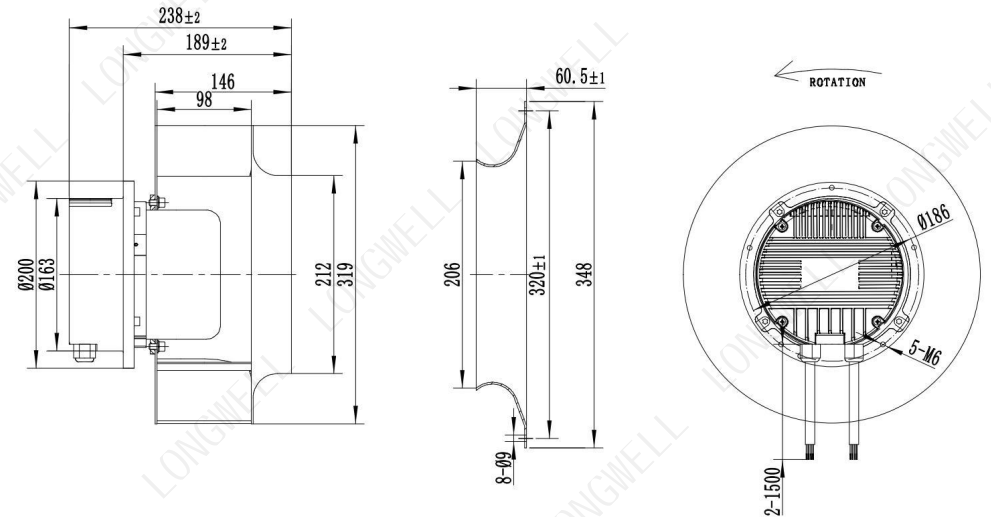


## Technical Specifications

Model	Voltage (V)	Input Power (W)	Current (A)	Air Volume (m³/h)	Static Pressure (Pa)	Speed (RPM)	Noise [dB(A)]
LWBE3G310-138PT-04	400	980	1.64	4398	824	2600	74



## LWBE3G310-138NT-05 (without bracket)



## LWBE3G310-138PT-04 (with bracket)

