

# LWBE-280 Series

## Product Characteristic

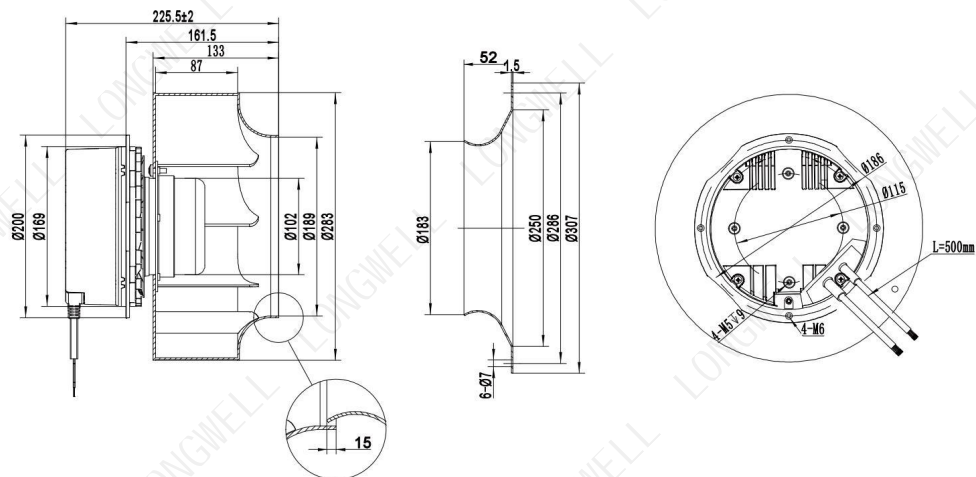
- Impeller Material: Aluminum Alloy
- Supply Voltage: 230V,50/60Hz
- Direction of rotation: Clockwise,seen on rotor
- Mode Of Operation: S1
- Protection Class: IP55
- Insulation Class: F
- Mounting position: Horizontal or Vertical
- Operation Temperature: -25 C ~ +60 C
- Bearing: Maintenance-free ball bearings
- Technical features: Control input 0-10VDC/PWM
- Protection: Tech output,Locked-Rotor protection  
Reverse Polarity,Over-voltage protection,Soft Start



## Technical Specifications

| Model              | Voltage (V) | Input Power (W) | Current (A) | Air Volume (m³/h) | Static Pressure (Pa) | Speed (RPM) | Noise [dB(A)] |
|--------------------|-------------|-----------------|-------------|-------------------|----------------------|-------------|---------------|
| LWBE3G280-102NS-06 | 230         | 700             | 3.1         | 3863              | 1133                 | 3270        | 85            |

## Product Drawing (mm)



## Flow Rate Curve

