

# LWBE-280 Series

## Product Characteristic

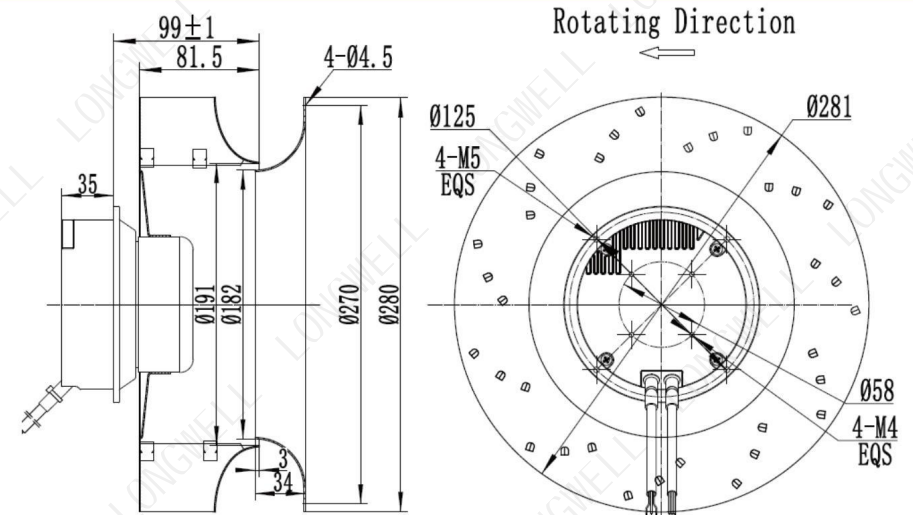
- Impeller Material: Galvanised sheet steel
- Supply Voltage: 230V,50/60Hz
- Direction of rotation: Clockwise,seen on rotor
- Mode Of Operation: S1
- Protection Class: IP54
- Insulation Class: F
- Mounting position: Horizontal or Vertical
- Operation Temperature: -25 C ~ +60 C
- Bearing: Maintenance-free ball bearings
- Technical features: Control input 0-10VDC/PWM
- Protection: Tech output,Locked-Rotor protection,Soft Start  
Reverse Polarity,Over-voltage protection,Soft Start



## Technical Specifications

Model	Voltage (V)	Input Power (W)	Current (A)	Air Volume (m³/h)	Static Pressure (Pa)	Speed (RPM)	Noise [dB(A)]
LWBE3G280-092NS-13	230	190	0.86	1743	481	2200	/

## Product Drawing (mm)



## Flow Rate Curve

