

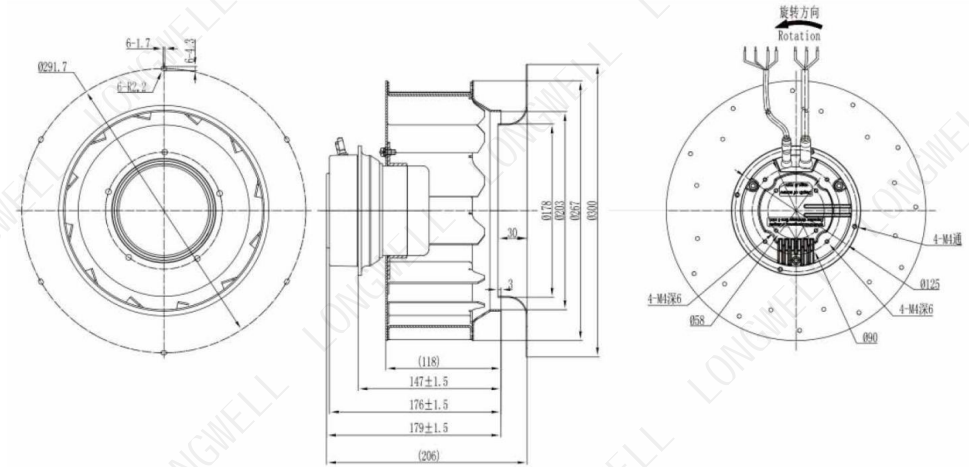
LWBE-270 Series

Product Characteristic

- Impeller Material: Aluminum Alloy
- Supply Voltage: 115V,50/60Hz
- Direction of rotation: Clockwise,seen on rotor
- Mode Of Operation: S1
- Protection Class: IP44
- Insulation Class: F
- Mounting position: Horizontal or Vertical
- Operation Temperature: -25 C ~ +60 C
- Bearing: Maintenance-free ball bearings
- Technical features: Control input 0-10VDC/PWM
- Protection: Tech output,Locked-Rotor protection,Reverse Polarity,Over-voltage protection,Soft Start



Product Drawing (mm)



Technical Specifications

Model	Voltage (V)	Input Power (W)	Current (A)	Air Volume (m³/h)	Static Pressure (Pa)	Speed (RPM)	Noise [dB(A)]
LWBE3G270-092NU-01	115	170	2.3	1545	332	1900	68

Flow Rate Curve

