

LWBA-250 Series

Product Characteristic

- Impeller material : Aluminum Alloy
- Direction of rotation: Clockwise, seen on rotor
- Mode of operation: S1
- Type of protection: IP 54
- Insulation class: F
- Bearing: Ball bearings
- Operation Temperature: -40~+65 C

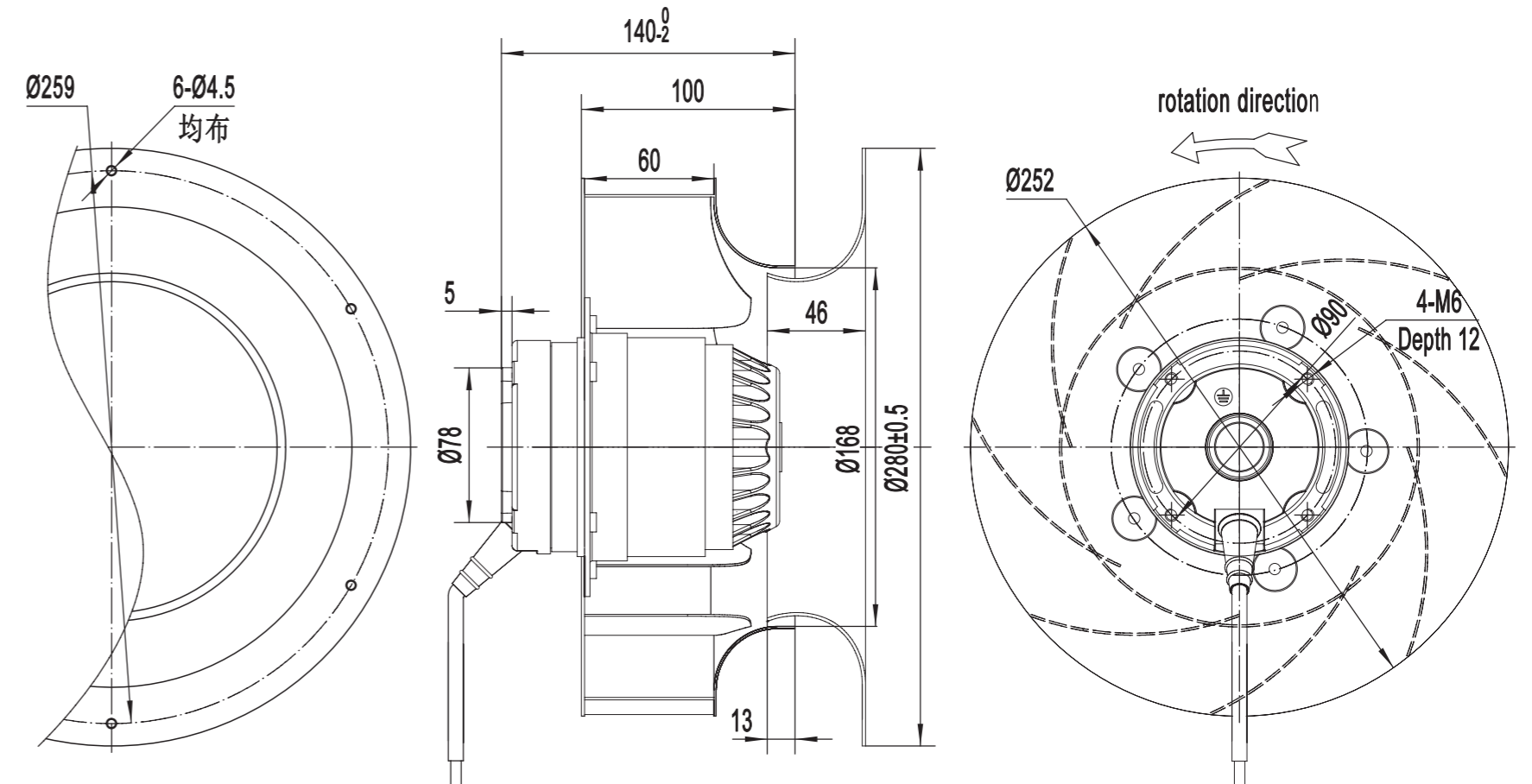


Technical Specifications

Model	Voltage	Frequency	Power	Current	Speed	Air Flow	Air Pressure	Noise	Capacitor	Curve
	V	Hz	W	A	RPM	m³/h	Pa	dB(A)	uF	
LWBA2E250-092NS-05	230	50	290	1.20	2650	1700	700	76	6	①
LWBA2D250-092NT-06	380	50	290	0.90	2800	1700	700	77	/	①

Product Drawing

AC Backward curved Centrifugal Fan Φ250



Flow Rate Curve

