

EC Axial Fans

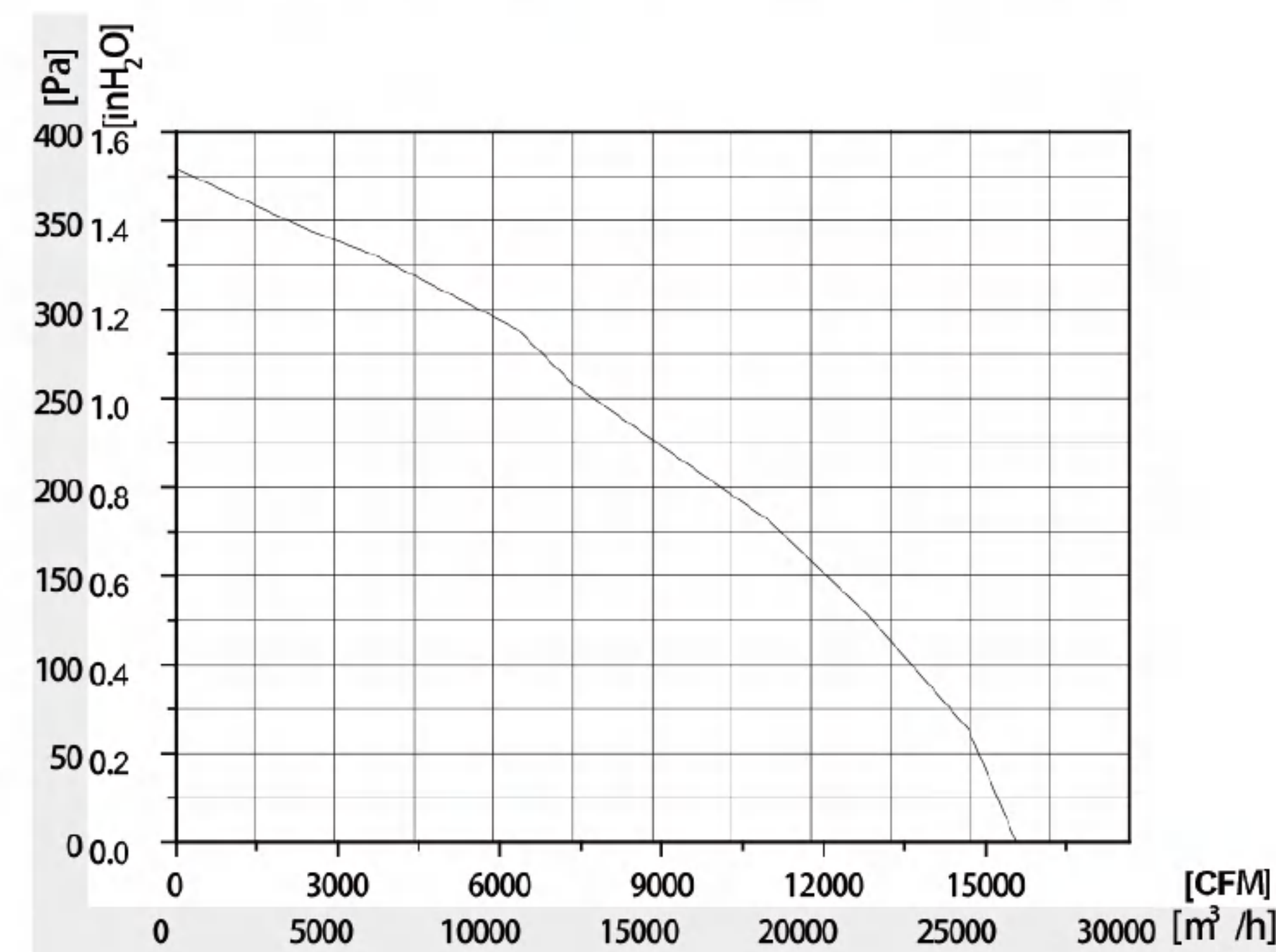
Product Characteristic

Ø800

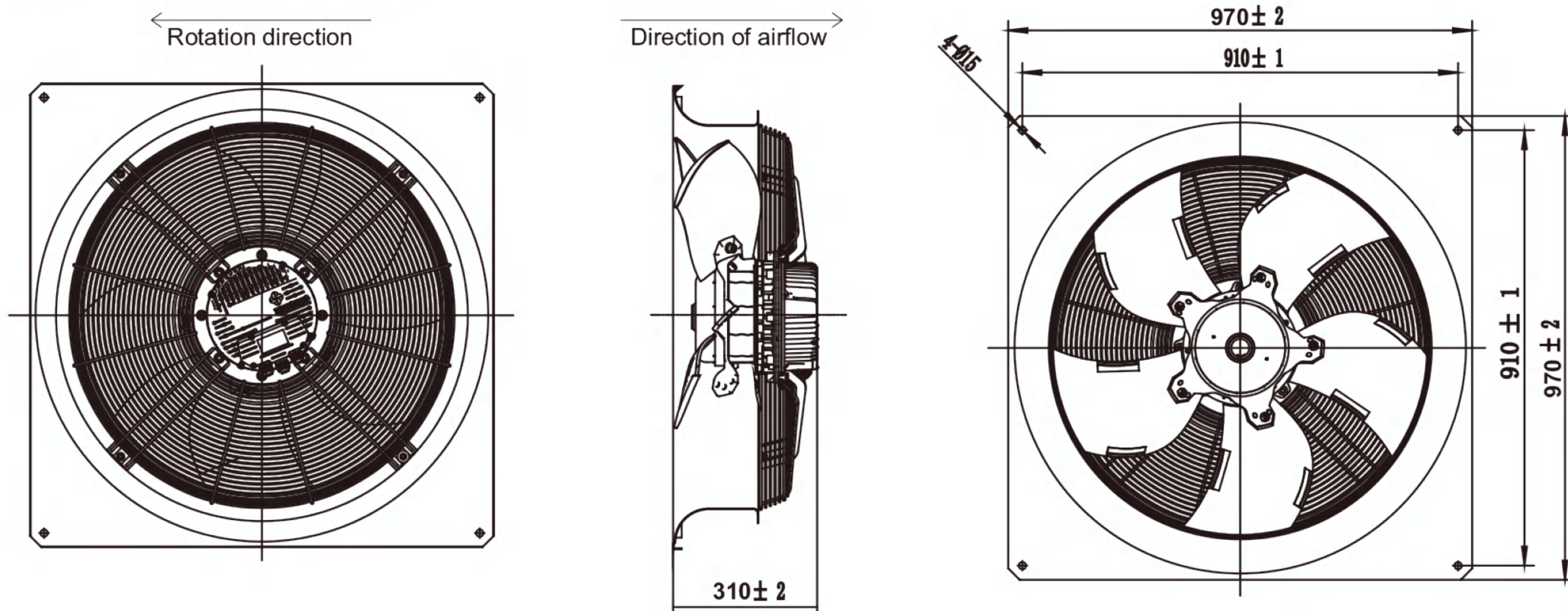


- Material: Sheet steel
- Type of protection: IP54
- Insulation class: F
- Approvals: CCC CE
- Motor type: BLEC motor
- Perm. amb.temp.: -25°C ~ +60°C
- Techniacal Feature: Control input 0-10VDC/PWM, Tech output, Locked-Rotor protection, Reverse Polarity Over-voltage protection, Soft Start Protection.

Flow Rate Curve



Product Drawing



Technical Specifications

Model	Voltage	Frequency	Current	Power	Speed	Airflow	Air Pressure	Noise
LWAE800-EC150-01	3-380V	50/60Hz	3.1A	1850W	1100RPM	24500m³/h	380Pa	82dB(A)