

EC Axial Fans

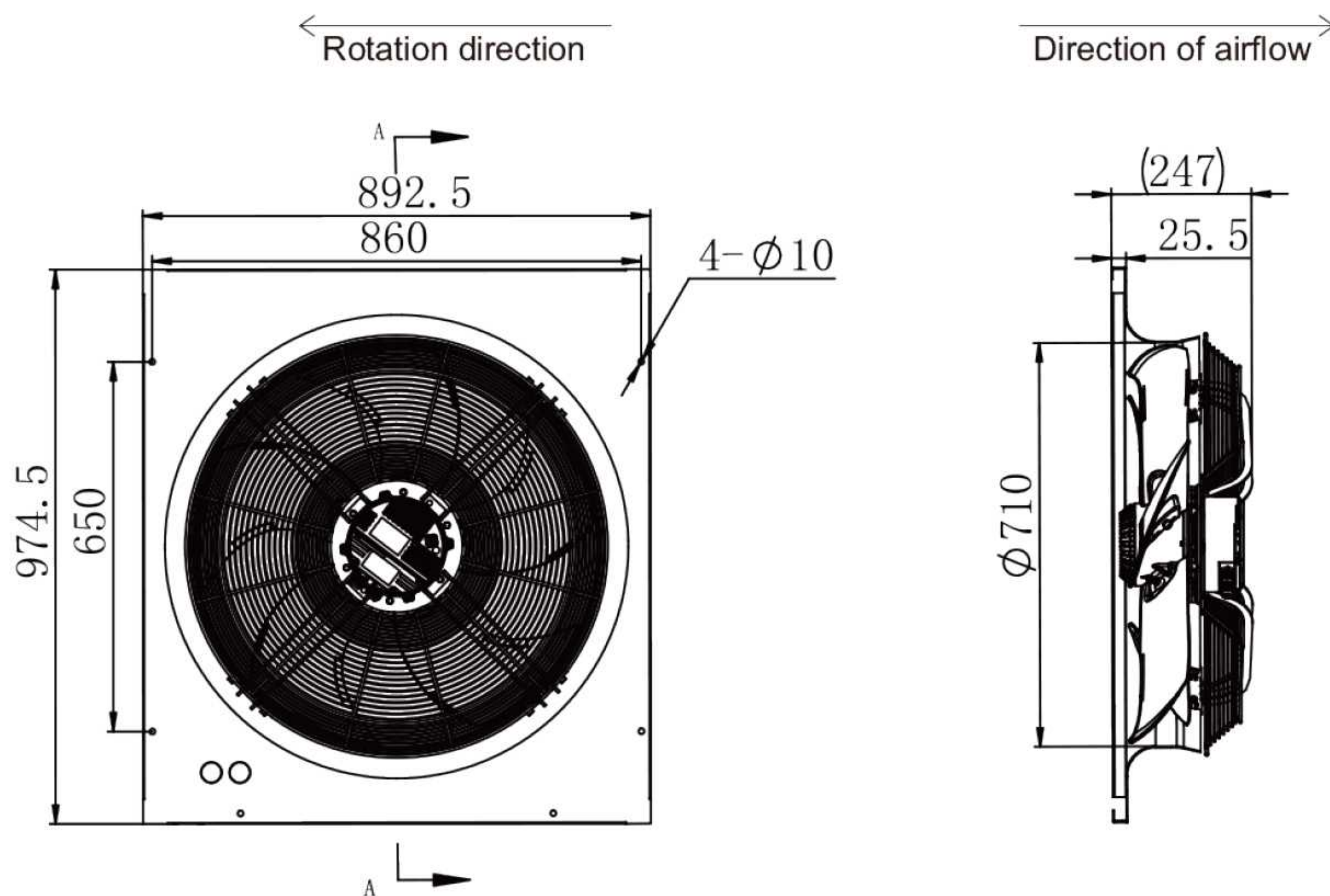
Product Characteristic

Ø710

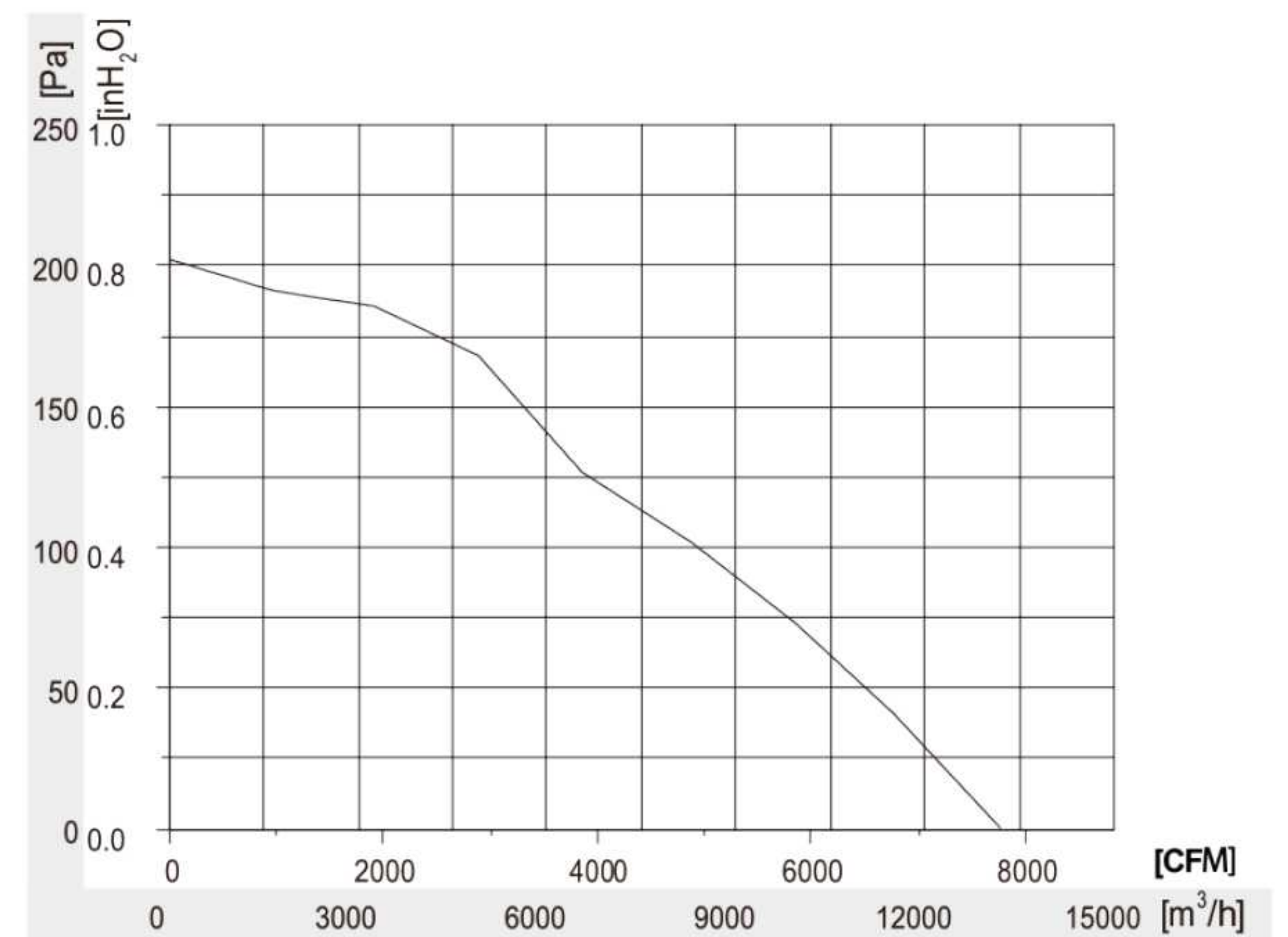


- Material: Sheet steel
- Type of protection: IP54
- Insulation class: F
- Approvals: CCC CE
- Motor type: BLEC motor
- Perm. amb.temp.: -25°C ~ +60°C
- Technical Feature: Control input 0-10VDC/PWM, Tech output, Locked-Rotor protection, Reverse Polarity Over-voltage protection Soft Start Protection.

Product Drawing



Flow Rate Curve



Technical Specifications

Model	Voltage	Frequency	Current	Power	Speed	Airflow	Air Pressure	Noise
LWAE710-EC112-02	3-380V	50/60Hz	1.3A	650W	960RPM	13000m³/h	205Pa	75dB(A)