

LWAE-630 Series

Product Characteristic

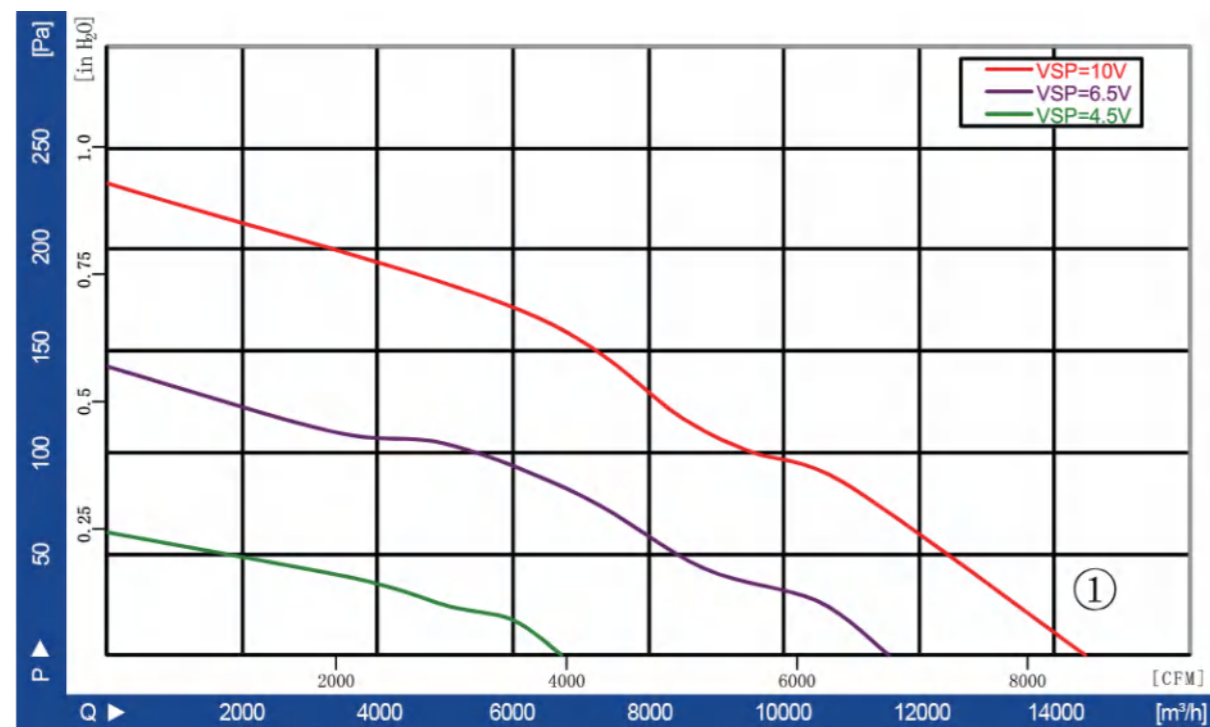
- Material: Sheet steel
- Type of protection: IP54
- Insulation class: F
- Approvals: CCC CE
- Motor type: BLEC motor
- Perm. amb.temp.: -25 C ~ +60 C
- Technicial Feature: Control input 0-10VDC/PWM, Tech output, Locked-Rotor protection, Reverse Polarity Over-voltage protection Soft Start Protection.



Technical Specifications

Model	Voltage	Frequency	Current	Power	Speed	Air Volume	Static Pressure	Noise	Curve
	V	Hz	A	W	RPM	m³/h	Pa	dB(A)	
LWAE3G630TS-5MNW-01	3-380	50/60	1.3	800	1150	14500	240	69	①
LWAE3G630TT-5MNW-02	3-380	50/60	1.3	800	1150	14500	240	69	
LWAE3G630TS-5MEW-03	3-380	50/60	1.3	800	1150	14500	240	69	
LWAE3G630TT-5MEW-04	3-380	50/60	1.3	800	1150	14500	240	69	
LWAE3G630TS-5MGW-05	3-380	50/60	1.3	800	1150	14500	240	69	
LWAE3G630TT-5MGW-06	3-380	50/60	1.3	800	1150	14500	240	69	

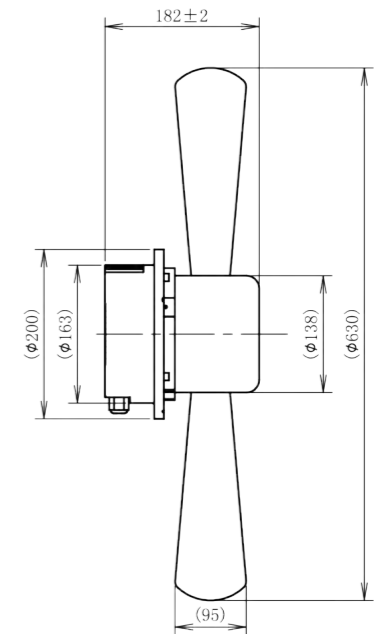
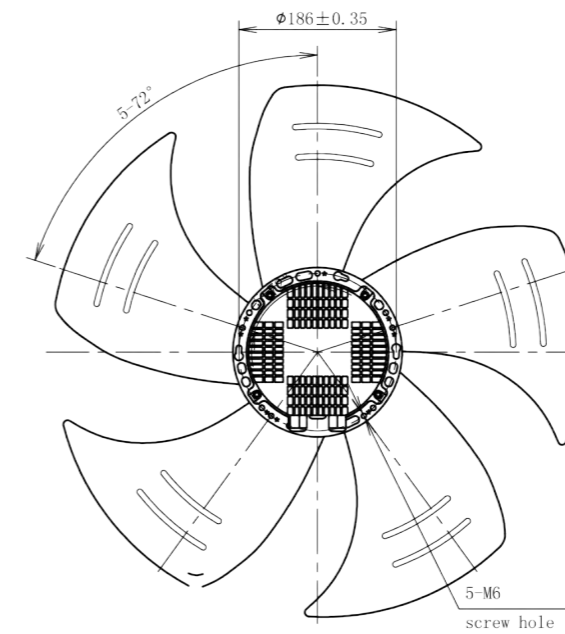
Flow Rate Curve



Product Drawing

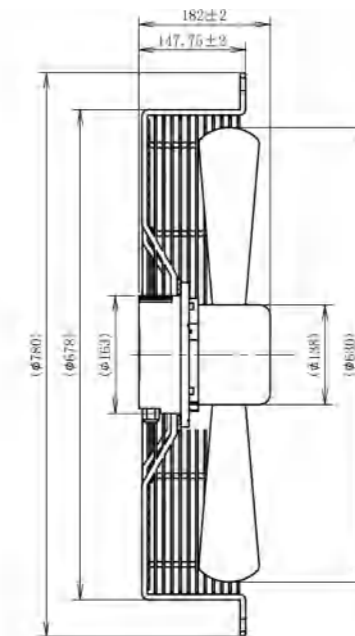
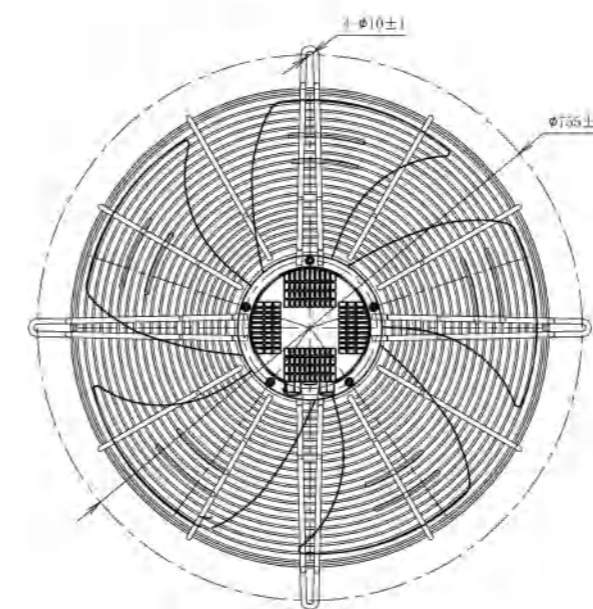
LWAE3G630TS-5MNW-01(Suction)

LWAE3G630TT-5MNW-02(Blowing)



LWAE3G630TS-5MEW-03(Suction)

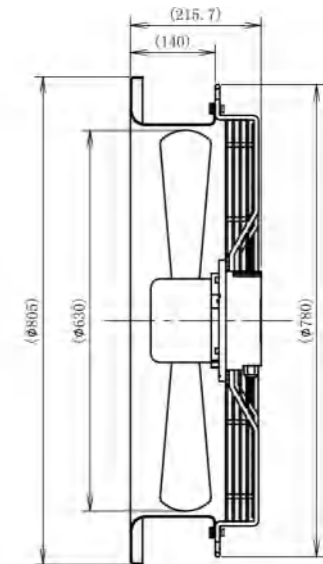
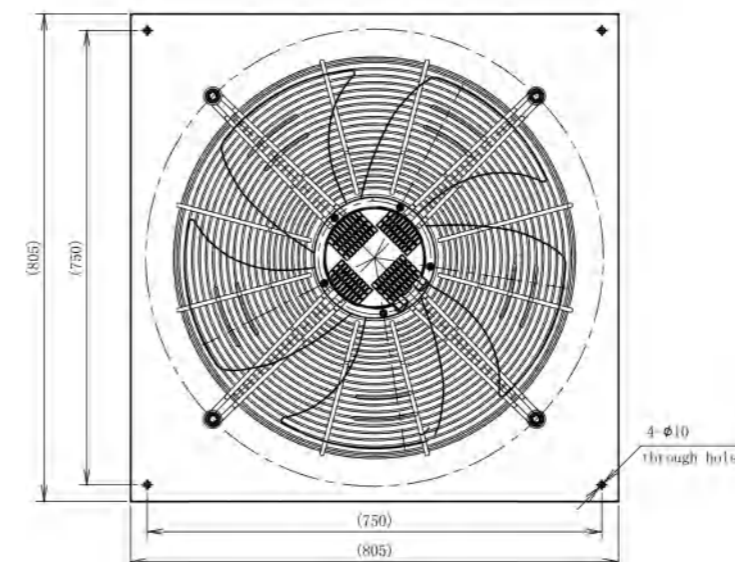
LWAE3G630TT-5MEW-04(Blowing)



With wall concave net cover grill

LWAE3G630TS-5MGW-05(Suction)

LWAE3G630TT-5MGW-06(Blowing)



With wind guide panel