

LWAE-550 Series

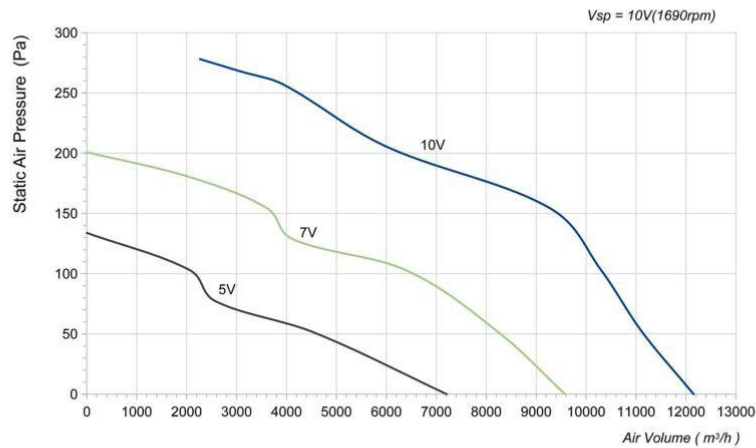
Product Characteristic

- Material: Sheet steel
- Type of protection: IP54
- Insulation class: F
- Motor type: BLEC Motor
- Operation Temperature: -25 C ~ +60 C
- Techniacal Feature: Control input 0-10VDC/PWM, Tech output, Locked-Rotor protection, Reverse Polarity Over-voltage protection, Soft Start Protection.



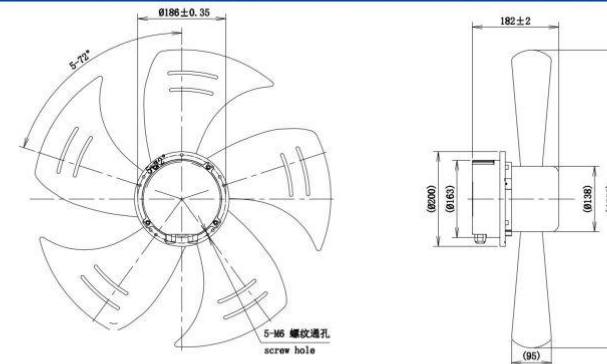
Technical Specifications

Model	Voltage (V)	Frequency (Hz)	Current (A)	Power [W(@0Pa)]	Speed (RPM)	Air Volume (m³/h)	Noise [dB(A)]
LWAE3G550TS-5MNW-01	3-380	50/60	1.65	950	1690	12154	78
LWAE3G550TT-5MNW-02	3-380	50/60	1.65	950	1690	12154	78
LWAE3G550TS-5MEW-03	3-380	50/60	1.65	950	1690	12154	78
LWAE3G550TT-5MEW-04	3-380	50/60	1.65	950	1690	12154	78
LWAE3G550TS-5MKW-05	3-380	50/60	1.65	950	1690	12154	78
LWAE3G550TT-5MKW-06	3-380	50/60	1.65	950	1690	12154	78



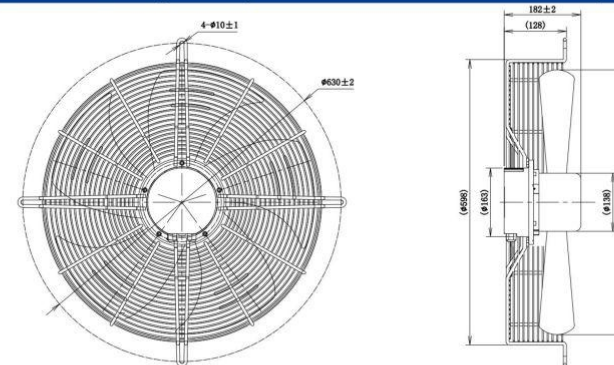
LWAE3G550TS-5MNW-01(Suction)

LWAE3G550TT-5MNW-02(Blowing)



LWAE3G550TS-5MEW-03(Suction)

LWAE3G550TT-5MEW-04(Blowing)



LWAE3G550TS-5MKW-05(Suction)

LWAE3G550TT-5MKW-06(Blowing)

