

LWAE-350 Series

Product Characteristic

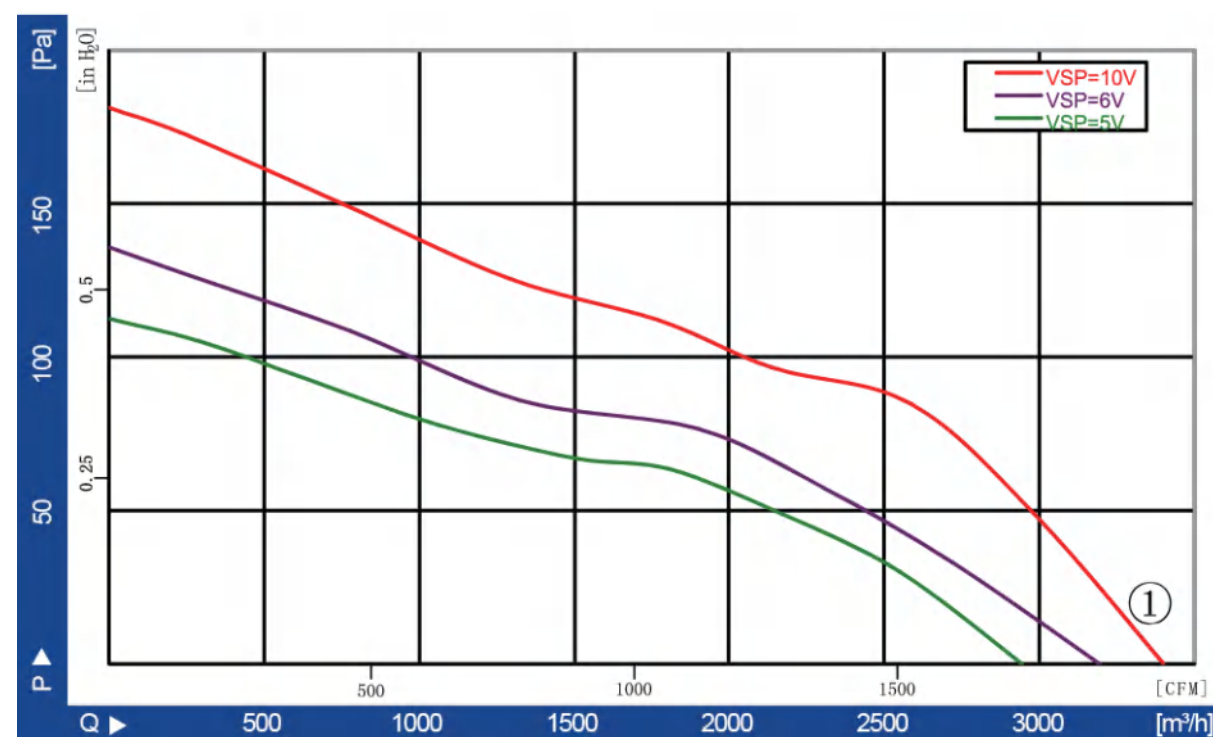
- Material: Sheet steel
- Type of protection: IP54
- Insulation class: B
- Approvals: CCC GE
- Motor type: BLEC motor
- Perm. amb.temp.: -25 C ~ +60 C
- Techniacal Feature: Control input 0-10VDC/PWM, Tech output, Locked-Rotor protection, Reverse Polarity Over-voltage protection Soft Start Protection.



Technical Specifications

Model	Voltage	Frequency	Current	Power	Speed	Air Volume	Static Pressure	Noise	Curve
	V	Hz	A	W	RPM	m³/h	Pa	dB(A)	
LWAE3G350SS-5PNW-01	220	50/60	1.2	160	1730	3800	180	65	①
LWAE3G350ST-5PNW-02	220	50/60	1.2	160	1730	3800	180	65	
LWAE3G350SS-5PEW-03	220	50/60	1.2	160	1730	3800	180	65	
LWAE3G350ST-5PEW-04	220	50/60	1.2	160	1730	3800	180	65	
LWAE3G350SS-5PGW-05	220	50/60	1.2	160	1730	3800	180	65	
LWAE3G350ST-5PGW-06	220	50/60	1.2	160	1730	3800	180	65	

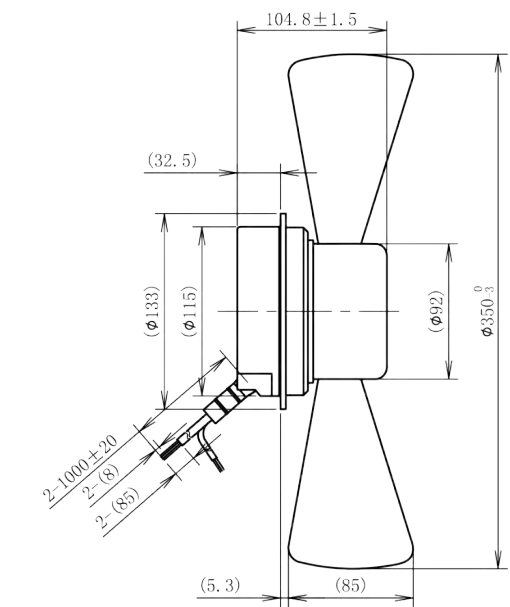
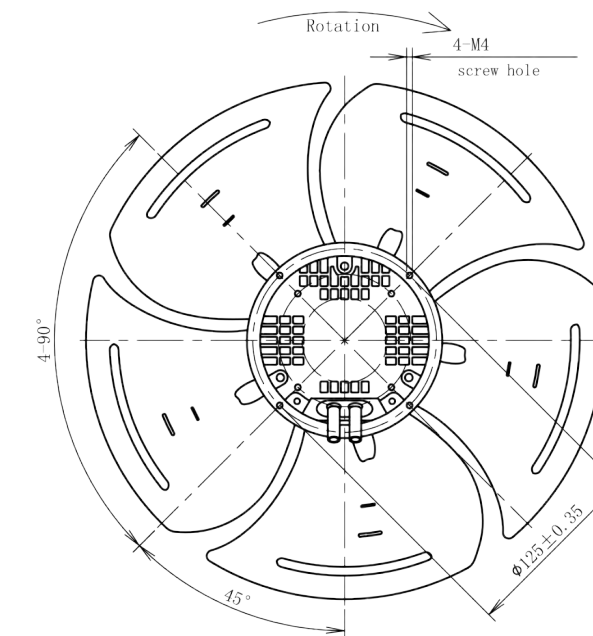
Flow Rate Curve



Product Drawing

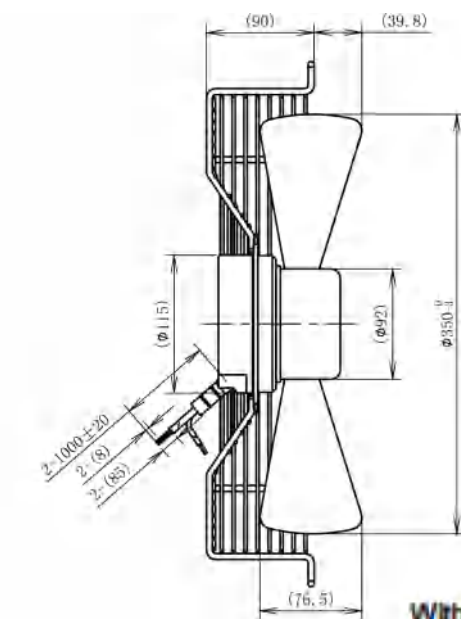
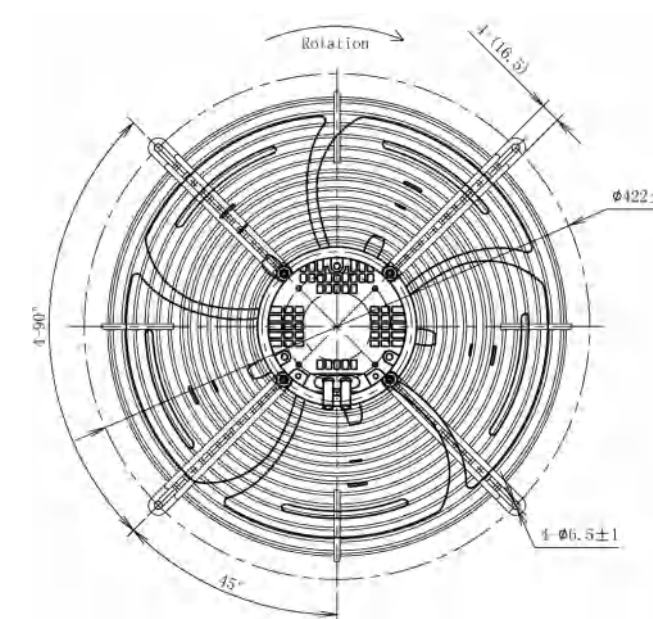
LWAE3G350SS-5PNW-01(Suction)

LWAE3G350ST-5PNW-02(Blowing)



LWAE3G350SS-5PEW-03(Suction)

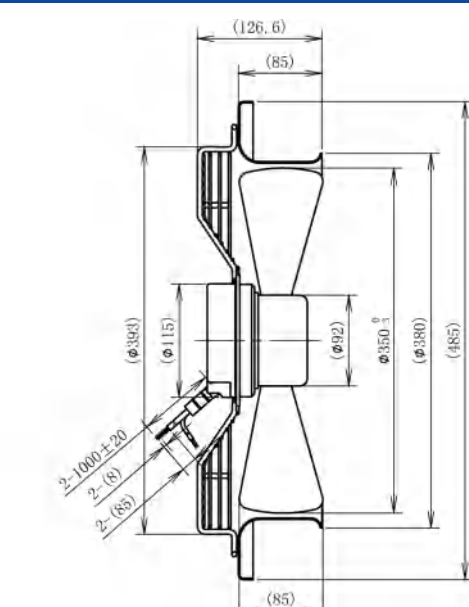
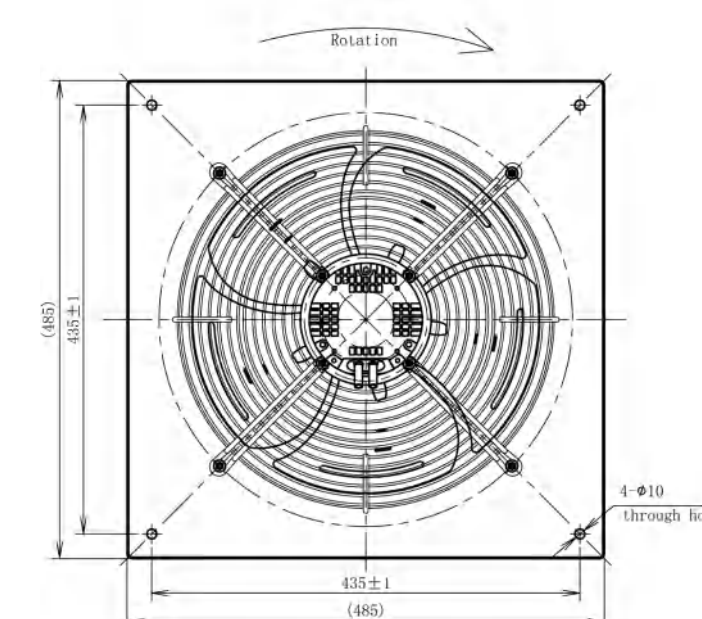
LWAE3G350ST-5PEW-04(Blowing)



With wall concave net cover grill

LWAE3G350SS-5PGW-05(Suction)

LWAE3G350ST-5PGW-06(Blowing)



With wind guide panel