

LWAE-315 Series

Product Characteristic

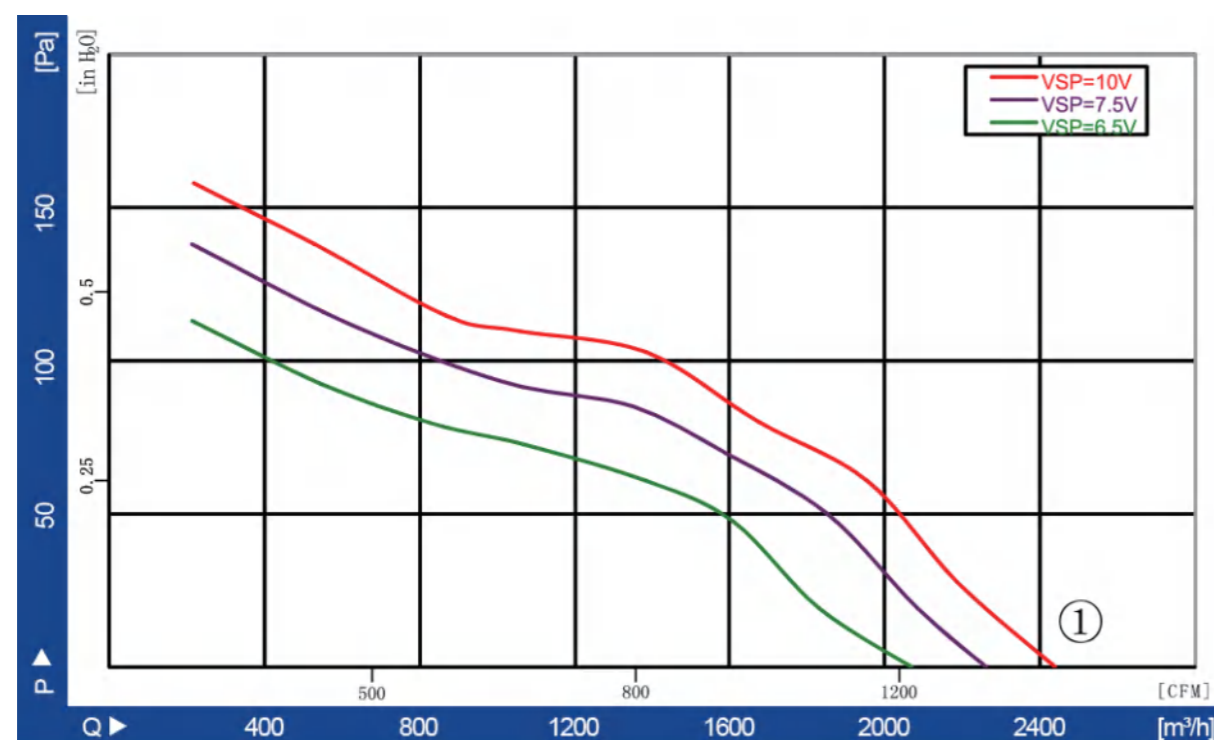
- Material: PA66
- Type of protection: IP54
- Insulation class: B
- Approvals: CCC CE
- Motor type: BLEC motor
- Perm. amb.temp.: -25 C ~ +60 C
- Techniacal Feature: Control input 0-10VDC/PWM, Tech output, Locked-Rotor protection, Reverse Polarity Over-voltage protection Soft Start Protection.



Technical Specifications

Model	Voltage	Frequency	Current	Power	Speed	Air Volume	Static Pressure	Noise	Curve
	V	Hz	A	W	RPM	m³/h	Pa	dB(A)	
LWAE3G315SS-5PNW-01	220	50/60	1.1	165	2100	2500	160	66	①
LWAE3G315ST-5PNW-02	220	50/60	1.1	165	2100	2500	160	66	
LWAE3G315SS-5PEW-03	220	50/60	1.1	165	2100	2500	160	66	
LWAE3G315ST-5PEW-04	220	50/60	1.1	165	2100	2500	160	66	

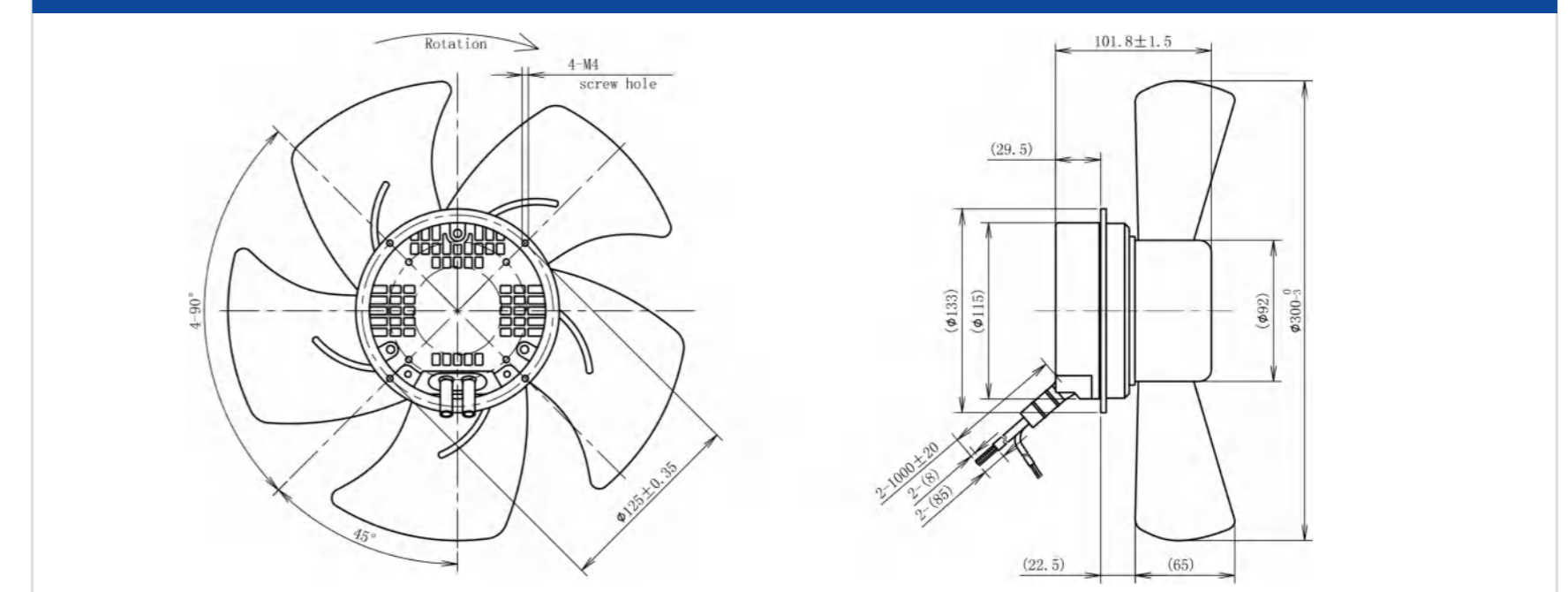
Flow Rate Curve



Product Drawing

LWAE3G315SS-5PNW-01(Suction)

LWAE3G315ST-5PNW-02(Blowing)



LWAE3G315SS-5PEW-03(Suction)

LWAE3G315ST-5PEW-04(Blowing)

