

# LWAE-200 Series

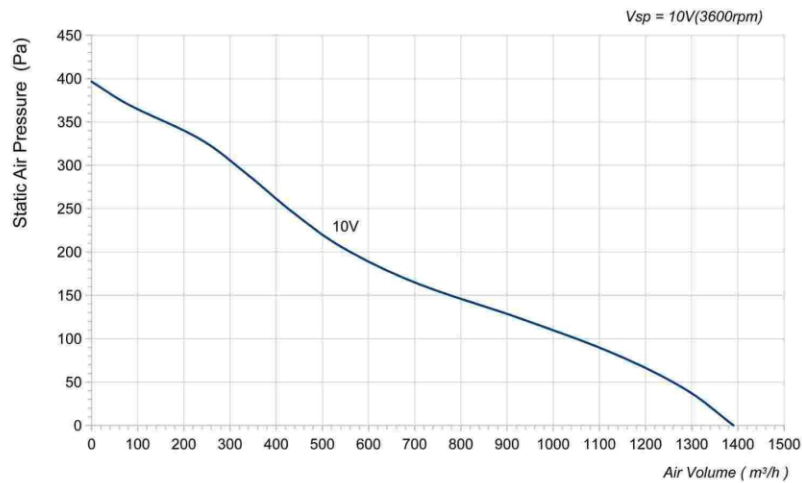
## Product Characteristic

- Material: PA66
- Type of protection: IP55
- Insulation class: B
- Motor type: BLEC Motor
- Operation Temperature: -25 C ~ +60 C
- Technical Feature: Control input 0-10VDC/PWM, Tech output, Locked-Rotor protection, Reverse Polarity Over-voltage protection, Soft Start Protection.

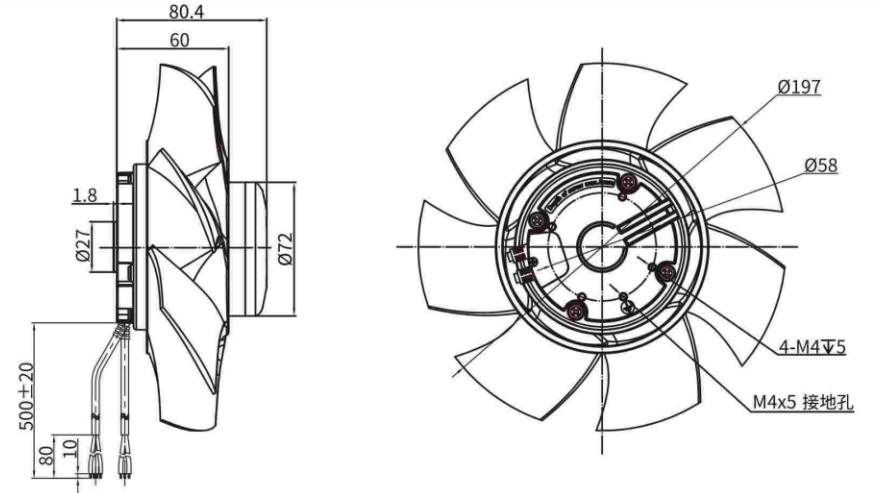


## Technical Specifications

| Model               | Voltage (V) | Frequency (Hz) | Current (A) | Power [W(@0Pa)] | Speed (RPM) | Air Volume (m³/h) | Noise [dB(A)] |
|---------------------|-------------|----------------|-------------|-----------------|-------------|-------------------|---------------|
| LWAE3G200SS-7PNW-15 | 220         | 50/60          | 0.85        | 115             | 3600        | 1391              | 64            |
| LWAE3G200SS-7PKW-16 | 220         | 50/60          | 0.85        | 115             | 3600        | 1391              | 64            |



### LWAE3G200SS-7PNW-15



### LWAE3G200SS-7PKW-16

