

LWAA-400 Series

Product Characteristic

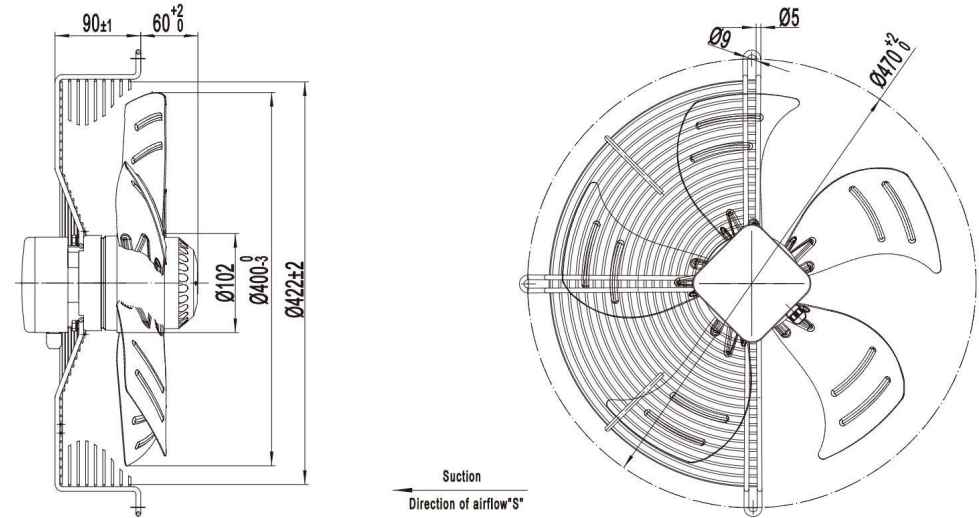
- Blades : Cold rolled steel
- Number of blades: 5
- Mode of operation: S1
- Type of protection: IP54
- Insulation class: F
- Operation Temperature: -30~+60 C



Technical Specifications

Model	Voltage (V)	Frequency (Hz)	Current (A)	Power (W)	Speed (RPM)	Air Volume (m³/h)	Capacitor (uF)	Noise [dB(A)]	Curve
LWAA4E400S-5MEB-01	220/230	50	0.9	180	1350	3811	6	60	①
LWAA4E400S-5MEB-02	220/230	60	1.22	260	1580	4223	6	62	②
LWAA4D400S-5MEB-03	380/400	50	0.5	180	1370	3811	/	60	①
LWAA4D400S-5MEB-04	380/400	60	0.47	240	1620	4223	/	62	②
LWAA6E400S-5MEB-05	220/230	50	0.5	100	950	2678	4	49	③
LWAA6E400S-5MEB-06	220/230	60	0.54	120	1100	3090	4	52	④
LWAA6D400S-5MEB-07	380/400	50	0.31	100	930	2678	/	49	③
LWAA6D400S-5MEB-08	380/400	60	0.31	120	1100	3090	/	52	④

Product Drawing (mm)



Flow Rate Curve

