

# LWAA-400 Series

## Product Characteristic

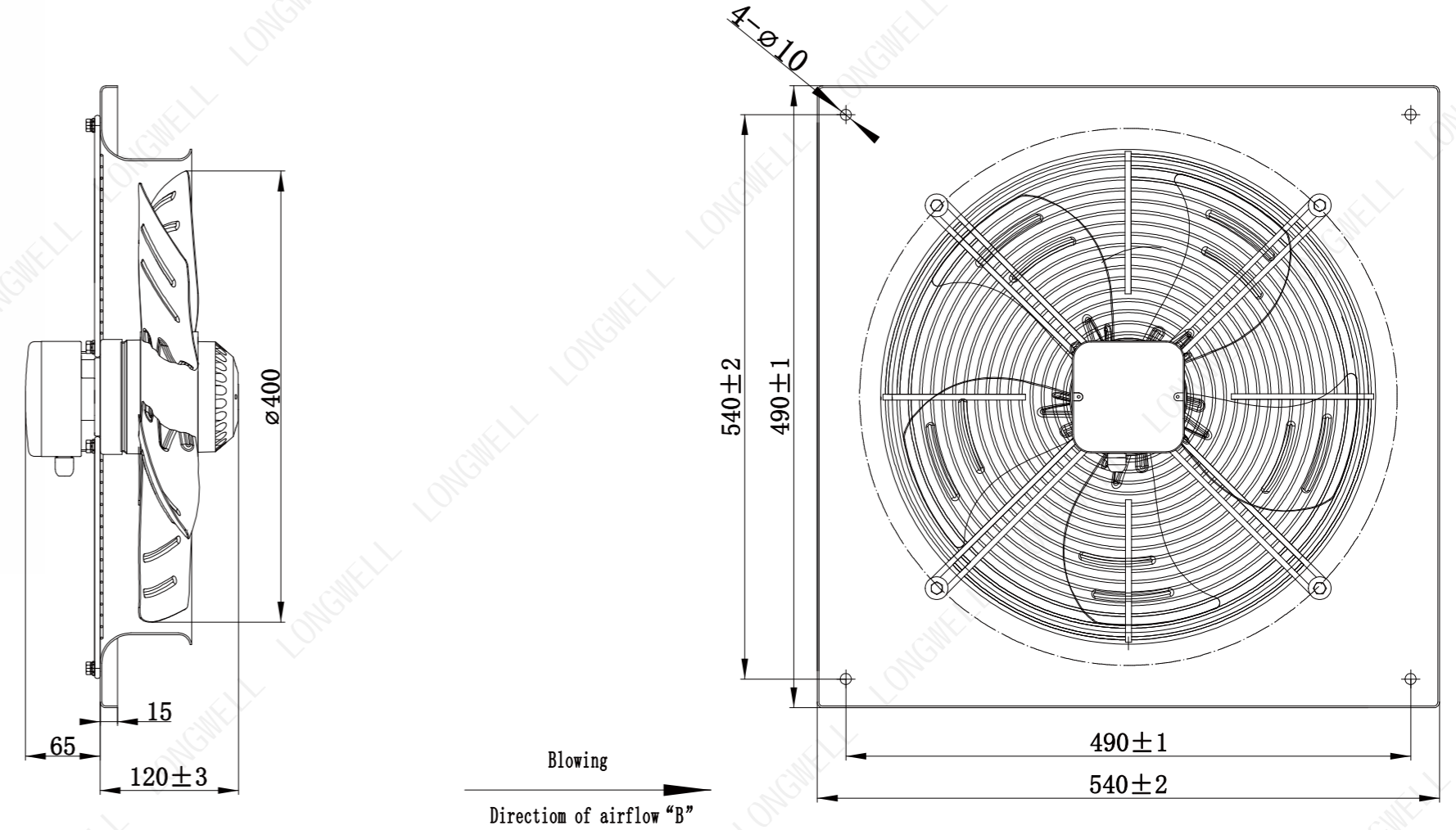
- Blades : Cold rolled steel
- Number of blades: 5
- Mode of operation: S1
- Type of protection: IP54
- Insulation class: F
- Operation Temperature: -30 C~+60 C



## Technical Specifications

Model	Voltage (V)	Frequency (Hz)	Current (A)	Power (W)	Speed (RPM)	Air Volume (m³/h)	Capacitor (uF)	Noise [dB(A)]	Curve
LWAA4E400B-5MKB-22	220/230	50	0.9	180	1350	3811	6	60	①
LWAA4E400B-5MKB-23	220/230	60	1.22	260	1580	4223	6	62	②

## Product Drawing (mm)



P-Q Curve

