

AC Axial Fan

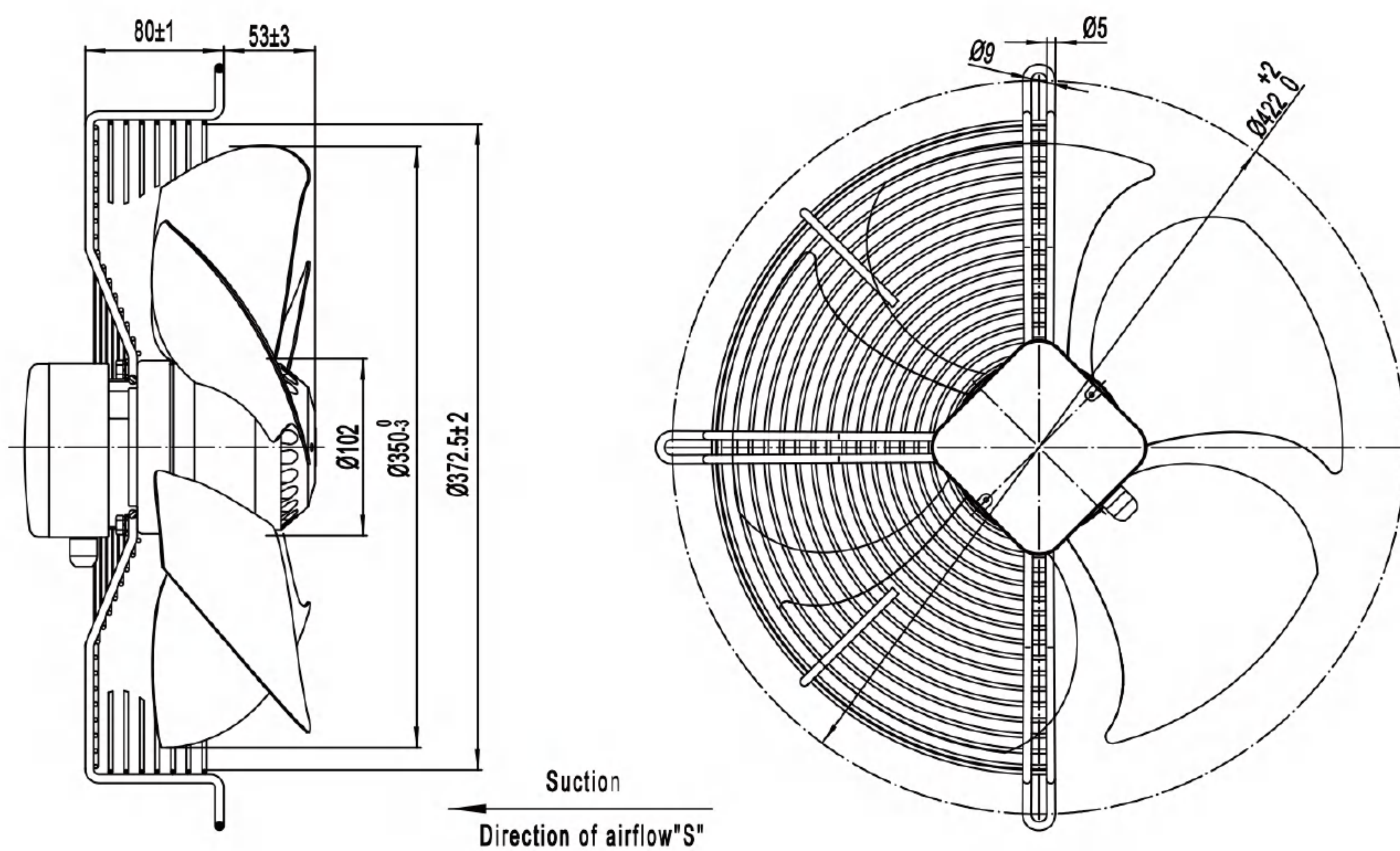
Product Characteristic

350S-5

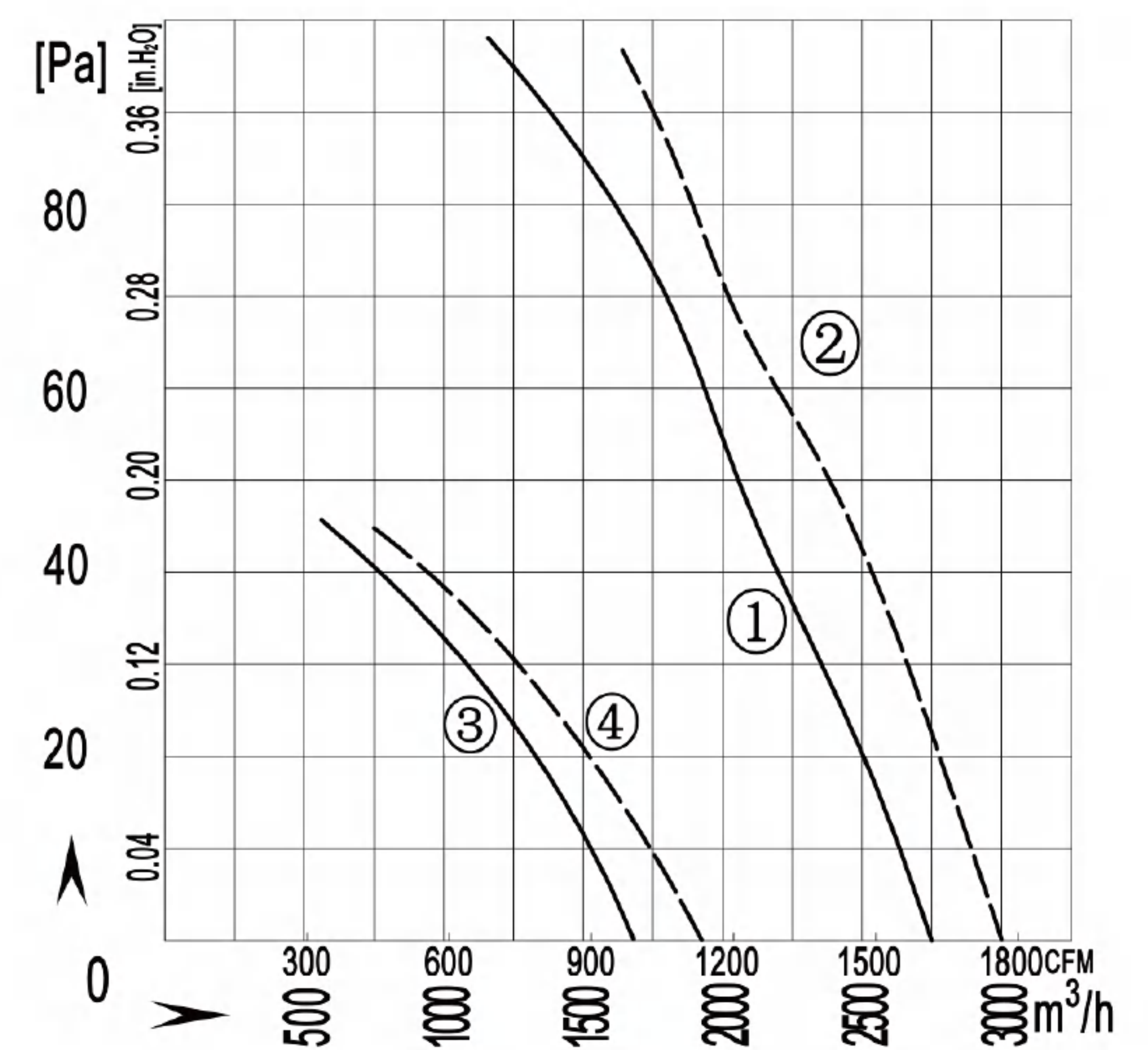


- Material : Cold rolled steel
- Protection Class: IP54
- Approvals: CCC/CE/ETL
- Insulation Class: F

Product Drawing



Flow Rate Curve



Technical Specifications

Model	Voltage	Frequency	Current	Input Power	Speed	Capacitor	Speed	Noise	Curve
LWAA4E350S-5DM-01	220/230V	50Hz	0.60A	135W	1380RPM	3μ F	2700m³/h	58dB(A)	①
LWAA4E350S-5DM-02		60Hz	0.83A	190W	1550RPM		3000m³/h	60dB(A)	②
LWAA4D350S-5DM-03	380/400V	50Hz	0.30A	135W	1360RPM	/	2700m³/h	58dB(A)	①
LWAA4D350S-5DM-04		60Hz	0.34A	170W	1500RPM		3000m³/h	60dB(A)	②
LWAA6E350S-5DM-05	220/230V	50Hz	0.40A	75W	950RPM	3μ F	1560m³/h	53dB(A)	③
LWAA6E350S-5DM-06		60Hz	0.37A	83W	1100RPM		1800m³/h	54dB(A)	④
LWAA6D350S-5DM-07	380/400V	50Hz	0.29A	70W	920RPM	/	1560m³/h	53dB(A)	③
LWAA6D350S-5DM-08		60Hz	0.20A	80W	1050RPM		1800m³/h	54dB(A)	④